

# ***Hypertherm***<sup>®</sup>

## MAXPRO200<sup>™</sup>



Instruction Manual

807700 | Revision 5 | English

# Register your new Hypertherm system

## Benefits of registration

- Safety:** Registration allows us to contact you in the unlikely event a safety or quality notification is required.
- Education:** Registration gives you free access to online product training content via the Hypertherm Cutting Institute.
- Confirmation of ownership:** Registration can serve as proof of purchase in case of an insurance loss.

Go to [www.hypertherm.com/registration](http://www.hypertherm.com/registration) for easy and fast registration.

If you experience any problems with the product registration process, please contact [registration@hypertherm.com](mailto:registration@hypertherm.com).

## For your records

Serial number: \_\_\_\_\_

Purchase date: \_\_\_\_\_

Distributor: \_\_\_\_\_

\_\_\_\_\_  
\_\_\_\_\_

Maintenance notes: \_\_\_\_\_

\_\_\_\_\_  
\_\_\_\_\_  
\_\_\_\_\_  
\_\_\_\_\_

MAXPRO200, Sensor THC, Sensor PHC, and Hypertherm are trademarks of Hypertherm, Inc. and may be registered in the United States and other countries. All other trademarks are the property of their respective holders.

Environmental stewardship is one of Hypertherm's core values, and it is critical to our success and our customers' success. We are striving to reduce the environmental impact of everything we do. For more information: [www.hypertherm.com/environment](http://www.hypertherm.com/environment).

# ***MAXPRO200***

## **Instruction Manual**

807700  
Revision 5

English  
Original instructions

February 2019

Hypertherm, Inc.  
Hanover, NH 03755 USA  
[www.hypertherm.com](http://www.hypertherm.com)

**Hypertherm, Inc.**

Etna Road, P.O. Box 5010  
 Hanover, NH 03755 USA  
 603-643-3441 Tel (Main Office)  
 603-643-5352 Fax (All Departments)  
 info@hypertherm.com (Main Office Email)

**800-643-9878 Tel (Technical Service)**

technical.service@hypertherm.com (Technical Service Email)

**800-737-2978 Tel (Customer Service)**

customer.service@hypertherm.com (Customer Service Email)

**866-643-7711 Tel (Return Materials Authorization)****877-371-2876 Fax (Return Materials Authorization)**

return.materials@hypertherm.com (RMA email)

**Hypertherm México, S.A. de C.V.**

Avenida Toluca No. 444, Anexo 1,  
 Colonia Olivar de los Padres  
 Delegación Álvaro Obregón  
 México, D.F. C.P. 01780  
 52 55 5681 8109 Tel  
 52 55 5683 2127 Fax  
 Soporte.Tecnico@hypertherm.com (Technical Service Email)

**Hypertherm Plasmatechnik GmbH**

Sophie-Scholl-Platz 5  
 63452 Hanau  
 Germany

00 800 33 24 97 37 Tel

00 800 49 73 73 29 Fax

**31 (0) 165 596900 Tel (Technical Service)****00 800 4973 7843 Tel (Technical Service)**

technicalservice.emea@hypertherm.com (Technical Service Email)

**Hypertherm (Singapore) Pte Ltd.**

82 Genting Lane  
 Media Centre  
 Annexe Block #A01-01  
 Singapore 349567, Republic of Singapore  
 65 6841 2489 Tel  
 65 6841 2490 Fax  
 Marketing.asia@hypertherm.com (Marketing Email)  
 TechSupportAPAC@hypertherm.com (Technical Service Email)

**Hypertherm Japan Ltd.**

Level 9, Edobori Center Building  
 2-1-1 Edobori, Nishi-ku  
 Osaka 550-0002 Japan  
 81 6 6225 1183 Tel  
 81 6 6225 1184 Fax  
 HTJapan.info@hypertherm.com (Main Office Email)  
 TechSupportAPAC@hypertherm.com (Technical Service Email)

**Hypertherm Europe B.V.**

Vaartveld 9, 4704 SE  
 Roosendaal, Nederland  
 31 165 596907 Tel  
 31 165 596901 Fax  
 31 165 596908 Tel (Marketing)

**31 (0) 165 596900 Tel (Technical Service)****00 800 4973 7843 Tel (Technical Service)**

technicalservice.emea@hypertherm.com  
 (Technical Service Email)

**Hypertherm (Shanghai) Trading Co., Ltd.**

B301, 495 ShangZhong Road  
 Shanghai, 200231  
 PR China

86-21-80231122 Tel

86-21-80231120 Fax

**86-21-80231128 Tel (Technical Service)**

techsupport.china@hypertherm.com  
 (Technical Service Email)

**South America & Central America: Hypertherm Brasil Ltda.**

Rua Bras Cubas, 231 – Jardim Maia  
 Guarulhos, SP – Brasil  
 CEP 07115-030  
 55 11 2409 2636 Tel  
 tecnico.sa@hypertherm.com (Technical Service Email)

**Hypertherm Korea Branch**

#3904. APEC-ro 17. Heaundae-gu. Busan.  
 Korea 48060

82 (0)51 747 0358 Tel

82 (0)51 701 0358 Fax

Marketing.korea@hypertherm.com (Marketing Email)

TechSupportAPAC@hypertherm.com

(Technical Service Email)

**Hypertherm Pty Limited**

GPO Box 4836  
 Sydney NSW 2001, Australia  
 61 (0) 437 606 995 Tel  
 61 7 3219 9010 Fax  
 au.sales@Hypertherm.com (Main Office Email)  
 TechSupportAPAC@hypertherm.com  
 (Technical Service Email)

**Hypertherm (India) Thermal Cutting Pvt. Ltd**

A-18 / B-1 Extension,  
 Mohan Co-Operative Industrial Estate,  
 Mathura Road, New Delhi 110044, India  
 91-11-40521201/ 2/ 3 Tel  
 91-11 40521204 Fax  
 HTIndia.info@hypertherm.com (Main Office Email)  
 TechSupportAPAC@hypertherm.com  
 (Technical Service Email)



For training and education resources, go to the Hypertherm Cutting Institute (HCI) online at [www.hypertherm.com/hci](http://www.hypertherm.com/hci).

<b>Safety .....</b>	<b>SC-13</b>
Recognize safety information .....	SC-13
Inspect equipment before using .....	SC-13
Follow safety instructions .....	SC-13
Responsibility for safety .....	SC-13
A plasma arc can damage frozen pipes .....	SC-13
Static electricity can damage printed circuit boards .....	SC-13
Grounding safety .....	SC-14
Electrical hazards .....	SC-14
Electric shock can kill .....	SC-14
Cutting can cause fire or explosion .....	SC-15
Fire prevention .....	SC-15
Explosion prevention .....	SC-15
Machine motion can cause injury .....	SC-15
Compressed gas equipment safety .....	SC-16
Gas cylinders can explode if damaged .....	SC-16
Toxic fumes can cause injury or death .....	SC-16
A plasma arc can cause injury and burns .....	SC-17
Arc rays can burn eyes and skin .....	SC-17
Pacemaker and hearing aid operation .....	SC-17
Noise can damage hearing .....	SC-18
Dry dust collection information .....	SC-18
Laser radiation .....	SC-19
Additional safety information .....	SC-19
<b>Electromagnetic Compatibility (EMC) .....</b>	<b>SC-21</b>
Introduction .....	SC-21
Installation and use .....	SC-21
Assessment of area .....	SC-21

Methods of reducing emissions .....	SC-21
Mains supply .....	SC-21
Maintenance of cutting equipment .....	SC-21
Cutting cables .....	SC-21
Equipotential bonding .....	SC-21
Earthing of the workpiece .....	SC-22
Screening and shielding .....	SC-22

## **Warranty ..... SC-23**

Attention .....	SC-23
General .....	SC-23
Patent indemnity .....	SC-23
Limitation of liability .....	SC-23
National and local codes .....	SC-23
Liability cap .....	SC-24
Insurance .....	SC-24
Transfer of rights .....	SC-24
Waterjet product warranty coverage .....	SC-24
Product .....	SC-24
Parts coverage .....	SC-24

## **Product Stewardship ..... SC-25**

Introduction .....	SC-25
National and local safety regulations .....	SC-25
Certification test marks .....	SC-25
Differences in national standards .....	SC-25
Safe installation and use of shape cutting equipment .....	SC-25
Procedures for periodic inspection and testing .....	SC-25
Qualification of test personnel .....	SC-26
Residual current devices (RCDs) .....	SC-26
Higher-level systems .....	SC-26

## **Environmental Stewardship ..... SC-27**

Introduction .....	SC-27
National and local environmental regulations .....	SC-27
The RoHS directive .....	SC-27
Proper disposal of Hypertherm products .....	SC-27
The WEEE Directive .....	SC-27
The REACH regulation .....	SC-27
Proper handling and safe use of chemicals .....	SC-28
Fumes emission and air quality .....	SC-28

**1 Specifications ..... 29**

- System description ..... 29
  - General ..... 29
  - Power supply ..... 29
  - Ignition console ..... 29
  - Torch ..... 30
  - Gas system ..... 30
  - Cooling system ..... 32
- System gas requirements ..... 32
- Power supply ..... 33
- Mechanized torches ..... 34
  - Straight torch – 428024 ..... 34
  - Quick-disconnect torch – 428027 or 428028 ..... 35
- Hand torches ..... 36
  - 90 degree hand torch – 420108 ..... 36
  - 65 degree hand torch – 420107 ..... 37
- Symbols and marks ..... 38

**2 Installation ..... 41**

- Upon receipt ..... 41
- Claims ..... 41
- Installation requirements ..... 41
- Noise levels ..... 42
- Placement of system components ..... 42
- Recommended grounding and shielding ..... 44
  - Introduction..... 44
  - Types of grounding..... 44
  - Grounding practices ..... 45
  - Example grounding diagram ..... 48
- Placement of the power supply ..... 49
- Torch lead connections ..... 50
  - Machine torch leads ..... 50
  - Hand torch leads ..... 50
- Work lead connections ..... 53
- Torch connections ..... 54
- Connect the torch to the quick-disconnect receptacle ..... 55
- Torch mounting and alignment ..... 56
  - Mounting the torch ..... 56
  - Torch alignment ..... 56
- CNC interface cable ..... 57
  - Notes to CNC interface cable run list ..... 57

# Contents

---

Remote ON/OFF switch (provided by customer) .....	59
Power requirements .....	61
General .....	61
Line disconnect switch .....	62
Main power cable .....	62
Connect the power .....	63
Torch coolant requirements .....	64
Premixed coolant for standard operating temperatures .....	64
Custom Coolant mix for cold operating temperatures (below -12° C / 10° F) .....	65
Custom Coolant mix for hot operating temperatures (above 38° C / 100° F) .....	66
Water purity requirements .....	66
Fill the power supply with coolant .....	67
Connect the supply gases .....	68
Air/air cutting .....	68
N <sub>2</sub> /N <sub>2</sub> supply gas connection .....	68
O <sub>2</sub> /Air Supply gas hook up .....	68
Gas requirements .....	72
Setting the supply gas regulators .....	72
Gas regulators .....	73
Supply gas plumbing .....	75
Supply gas hoses .....	76
Air .....	76
Oxygen .....	76
Nitrogen .....	76
<b>3 Operation .....</b>	<b>77</b>
Daily start-up .....	77
Controls and indicators .....	78
Power supply operation .....	79
General .....	79
3-digit display functions .....	80
Choosing a cutting process .....	81
Handheld cutting .....	82
Specifications .....	82
Consumable selection and gas settings .....	82
Starting a cut .....	82
Piercing .....	83
Gouging .....	84
Specifications .....	84
Gouging safety .....	84
Gouge a workpiece .....	84



- Gouging techniques ..... 85
  - Straight gouging ..... 85
  - Side gouging ..... 86
- Gouge profiles and metal removal rates ..... 87
- Varying the gouge profile ..... 88
- Cutting parameters ..... 88
- Mechanized consumables ..... 88
- Hand held torch consumables ..... 88
  - Hand held cutting and gouging consumable selection ..... 89
    - Mild steel ..... 89
    - Stainless steel ..... 90
    - Aluminum ..... 91
- Install and inspect consumables ..... 92
  - Install consumables ..... 92
  - Inspect consumables ..... 93
- Torch maintenance ..... 94
  - Routine maintenance ..... 94
  - Quick-disconnect maintenance ..... 94
  - Maintenance kit ..... 94
  - Torch connections ..... 95
    - Quick-disconnect torch ..... 95
    - Straight torch ..... 95
  - Replace the torch water tube ..... 96
- Common cutting faults ..... 97
  - Machine torch ..... 97
  - Hand torch ..... 97
- Optimizing cut quality ..... 98
  - Tips for table and torch ..... 98
  - Plasma setup tips ..... 98
  - Maximize the life of consumable parts ..... 98
  - Additional factors of cut quality ..... 99
    - Cut angle ..... 99
    - Dross ..... 100
    - Straightness of the cut surface ..... 100
    - How to increase cutting speed ..... 100
  - Estimated kerf-width compensation ..... 101
    - Metric ..... 101
    - English ..... 102
- Cut charts ..... 103

<b>4</b>	<b>Maintenance</b>	<b>121</b>
	Introduction	121
	Preventive maintenance	121
	Power supply state	122
	Sequence of operation and power supply state	123
	Block diagram	128
	Error codes	129
	Diagnostic functions	130
	Troubleshooting table	131
	Initial checks	139
	Power measurement	140
	Power supply coolant system servicing	141
	Draining the coolant system	141
	Coolant flow test	142
	Coolant system filter replacement	144
	Air filter element replacement	145
	Control board	146
	Control board LED list	146
	Control board test points	146
	Gas leak tests	149
	Start circuit	150
	Operation	150
	Start circuit functional schematic	150
	Start circuit troubleshooting	151
	Pilot arc current levels	153
	Transfer current	153
	Chopper tests	154
	Automatic chopper and current sensor tests during power-up	154
	Using a meter to measure open circuit voltage (OCV)	155
	Phase loss detection	156
	Torch lead test	157
	Preventive maintenance	158
<b>5</b>	<b>Parts List</b>	<b>159</b>
	Control panel	159
	Power supply	160
	Ignition enclosure	166
	Height control connection kits	167
	Sensor THC connection kit – 428023	167
	Sensor PHC connection kit – 428022	167
	Wire groups and harnesses	167

- USB cables for software updates ..... 167
  - Cable for USB update – 223291 ..... 167
  - Cable for USB update – 223273 ..... 167
- Power supply gas hose kit – 228862 ..... 168
- Machine torches ..... 168
  - Straight torch ..... 168
  - Quick-disconnect torch ..... 169
- Leads and cables ..... 170
  - Machine torch leads ..... 170
  - CNC cables ..... 170
  - Work leads ..... 170
  - Work clamp ..... 170
  - Hand torch leads ..... 170
- Inline valve kit ..... 170
- Hand torch heat shield – 127389 ..... 170
- 90 degree hand torch ..... 171
- 65 degree hand torch ..... 172
- Consumable parts kits ..... 173
  - Mechanized torch consumable kit – 428013 ..... 173
  - Hand torch consumable kit – 428014 ..... 174
- Supply gas hoses ..... 175
  - Oxygen ..... 175
  - Nitrogen ..... 175
  - Air ..... 175
- Recommended spare parts ..... 176
  
- 6 Wiring Diagrams ..... 177**
  - Wiring diagram symbols ..... 178
  
- Material Safety Data Sheet (MSDS) – Torch Coolant Safety Data ..... 191**
  - 1 – Identification of the substance/mixture and of the company undertaking ..... 191
  - 2 – Hazards identification ..... 191
  - 3 – Composition / Information on ingredients ..... 192
  - 4 – First Aid measures ..... 192
  - 5 – Fire-Fighting measures ..... 192
  - 6 – Accidental release measures ..... 192
  - 7 – Handling and storage ..... 193
  - 8 – Exposure controls / personal protection ..... 193
  - 9 – Physical and chemical properties ..... 193
  - 10 – Stability and reactivity ..... 194
  - 11 – Toxicological information ..... 194

**Contents**

---

12 – Ecological information ..... 194  
13 – Disposal considerations ..... 194  
14 – Transport information ..... 195  
15 – Regulatory information ..... 195  
16 – Other information ..... 196



## RECOGNIZE SAFETY INFORMATION

The symbols shown in this section are used to identify potential hazards. When you see a safety symbol in this manual or on your machine, understand the potential for personal injury, and follow the related instructions to avoid the hazard.



## FOLLOW SAFETY INSTRUCTIONS

Carefully read all safety messages in this manual and safety labels on your machine.

- Keep the safety labels on your machine in good condition. Replace missing or damaged labels immediately.
- Learn how to operate the machine and how to use the controls properly. Do not let anyone operate it without instruction.
- Keep your machine in proper working condition. Unauthorized modifications to the machine may affect safety and machine service life.

## DANGER WARNING CAUTION

American National Standards Institute (ANSI) guidelines are used for safety signal words and symbols. The signal word DANGER or WARNING is used with a safety symbol. DANGER identifies the most serious hazards.

- DANGER and WARNING safety labels are located on your machine near specific hazards.
- DANGER safety messages precede related instructions in the manual that will result in serious injury or death if not followed correctly.
- WARNING safety messages precede related instructions in this manual that may result in injury or death if not followed correctly.
- CAUTION safety messages precede related instructions in this manual that may result in minor injury or damage to equipment if not followed correctly.

## INSPECT EQUIPMENT BEFORE USING

All cutting equipment must be inspected as required to make sure it is in safe operating condition. When found to be incapable of reliable and safe operation, the equipment must be repaired by qualified personnel prior to its next use or withdrawn from service.

## RESPONSIBILITY FOR SAFETY

The person or entity responsible for the safety of the workplace must:

- Make sure that operators and their supervisors are trained in the safe use of their equipment, the safe use of the process, and emergency procedures.
- Make sure that all hazards and safety precautions identified herein are communicated to and understood by workers before the start of work.
- Designate approved cutting areas and establish procedures for safe cutting.
- Be responsible for authorizing cutting operations in areas not specifically designed or approved for such processes.
- Make sure that only approved equipment, such as torches and personal protective equipment, are used.
- Select contractors who provide trained and qualified personnel, and who have awareness of the risks involved, to do cutting.
- Tell contractors about flammable materials or hazardous conditions that are specific to the site, or hazardous conditions that they may not be aware of.
- Make sure that the quality and quantity of air for ventilation is such that personnel exposures to hazardous contaminants are below the allowable limits.
- Make sure that ventilation in confined spaces is sufficient to allow adequate oxygen for life support, to prevent accumulation of asphyxiants or flammable explosive mixtures, to prevent oxygen-enriched atmospheres, and to keep airborne contaminants in breathing atmospheres below allowable limits.



## A PLASMA ARC CAN DAMAGE FROZEN PIPES

Frozen pipes may be damaged or can burst if you attempt to thaw them with a plasma torch.



## STATIC ELECTRICITY CAN DAMAGE PRINTED CIRCUIT BOARDS

Use proper precautions when handling printed circuit boards:

- Store printed circuit boards in anti-static containers.
- Wear a grounded wrist strap when handling printed circuit boards.



### GROUNDING SAFETY

**Work lead** Attach the work lead securely to the workpiece or the cutting table with good metal-to-metal contact. Do not connect it to the piece that will fall away when the cut is complete.

**Cutting table** Connect the cutting table to an earth ground, in accordance with appropriate national and local electrical regulations.

#### Input power

- Make sure to connect the power cord ground wire to the ground in the disconnect box.
- If installation of the plasma system involves connecting the power cord to the power supply, make sure to connect the power cord ground wire properly.
- Place the power cord's ground wire on the stud first, then place any other ground wires on top of the power cord ground. Tighten the retaining nut.
- Tighten all electrical connections to avoid excessive heating.

### ELECTRICAL HAZARDS

- Only trained and authorized personnel may open this equipment.
- If the equipment is permanently connected, turn it off, and lock out/tag out power before the enclosure is opened.
- If power is supplied to the equipment with a cord, unplug the unit before the enclosure is opened.
- Lockable disconnects or lockable plug covers must be provided by others.
- Wait 5 minutes after removal of power before entering the enclosure to allow stored energy to discharge.
- If the equipment must have power when the enclosure is open for servicing, arc flash explosion hazards may exist. Follow **all** local requirements (NFPA 70E in the USA) for safe work practices and for personal protective equipment when servicing energized equipment.
- Prior to operating the equipment after moving, opening, or servicing, make sure to close the enclosure and make sure that there is proper earth ground continuity to the enclosure.
- Always follow these instructions for disconnecting power before inspecting or changing torch consumable parts.



### ELECTRIC SHOCK CAN KILL

Touching live electrical parts can cause a fatal shock or severe burn.

- Operating the plasma system completes an electrical circuit between the torch and the workpiece. The workpiece and anything touching the workpiece are part of the electrical circuit.
- In machine torch applications, never touch the torch body, workpiece, or water in a water table when the plasma system is operating.

#### Electric shock prevention

**All plasma systems use high voltage in the cutting process (200 to 400 VDC are common). Take the following precautions when operating this system:**

- Wear insulated gloves and boots, and keep your body and clothing dry.
- Do not stand, sit, or lie on – or touch – any wet surface when using the plasma system.
- Insulate yourself from the work and ground using dry insulating mats or covers big enough to prevent any physical contact with the work or ground. If you must cut in or near a damp area, use extreme caution.
- Provide a disconnect switch close to the power supply with properly sized fuses. This switch allows the operator to turn off the power supply quickly in an emergency situation.
- When using a water table, make sure that it is correctly connected to an earth ground.
- Install and ground this equipment according to the instruction manual and in accordance with national and local regulations.
- Inspect the input power cord frequently for damage or cracking of the cover. Replace a damaged power cord immediately.  
**Bare wiring can kill.**
- Inspect and replace any worn or damaged torch leads.
- Do not pick up the workpiece, including the waste cutoff, while you cut. Leave the workpiece in place or on the workbench with the work lead attached during the cutting process.
- Before checking, cleaning, or changing torch parts, disconnect the main power or unplug the power supply.
- Never bypass or shortcut the safety interlocks.
- Before removing any power supply or system enclosure cover, disconnect electrical input power. Wait 5 minutes after disconnecting the main power to allow capacitors to discharge.
- Never operate the plasma system unless the power supply covers are in place. Exposed power supply connections present a severe electrical hazard.
- When making input connections, attach a proper grounding conductor first.
- Each plasma system is designed to be used only with specific torches. Do not substitute other torches, which could overheat and present a safety hazard.



## CUTTING CAN CAUSE FIRE OR EXPLOSION

### Fire prevention

- Make sure the cutting area is safe before doing any cutting. Keep a fire extinguisher nearby.
- Remove all flammables within 35 feet (10 m) of the cutting area.
- Quench hot metal or allow it to cool before handling or before letting it touch combustible materials.
- Never cut containers with potentially flammable materials inside – they must be emptied and properly cleaned first.
- Ventilate potentially flammable atmospheres before cutting.
- When cutting with oxygen as the plasma gas, an exhaust ventilation system is required.

### Explosion prevention

- Do not use the plasma system if explosive dust or vapors may be present.
- Do not cut pressurized cylinders, pipes, or any closed containers.
- Do not cut containers that have held combustible materials.



### WARNING

Explosion Hazard

Hydrogen Detonation with Aluminum Cutting



When you use a plasma torch to cut aluminum alloys under water or on a water table, a chemical reaction between the water and the workpiece, parts, fine particles, or molten aluminum droplets generates significantly more hydrogen gas than occurs with other metals. This hydrogen gas may get trapped under the workpiece. If exposed to oxygen or air, the plasma arc or a spark from any source can ignite this trapped hydrogen gas, causing an explosion that may result in death, personal injury, loss of property, or equipment damage.

Consult with the table manufacturer and other experts prior to cutting aluminum to implement a risk assessment and mitigation plan that eliminates the risk of detonation by preventing hydrogen accumulation.



### WARNING

Explosion Hazard  
Argon-Hydrogen and Methane

Hydrogen and methane are flammable gases that present an explosion hazard. Keep flames away from cylinders and hoses that contain methane or hydrogen mixtures. Keep flames and sparks away from the torch when using methane or argon-hydrogen plasma.



### WARNING

Explosion Hazard  
Underwater Cutting with Fuel Gases  
Containing Hydrogen

- Do not cut underwater with fuel gases containing hydrogen.
- Cutting underwater with fuel gases containing hydrogen can result in an explosive condition that can detonate during plasma cutting operations.

Also, make sure that the water table, fume extraction (ventilation), and other parts of the cutting system have been designed with aluminum cutting in mind.

**Do not cut aluminum alloys underwater or on a water table unless you can prevent the accumulation of hydrogen gas.**

**Note:** With proper mitigation, most aluminum alloys can be plasma cut on a water table. An exception is aluminum-lithium alloys. **Never cut aluminum-lithium alloys in the presence of water.** Contact your aluminum supplier for additional safety information regarding hazards associated with aluminum-lithium alloys.



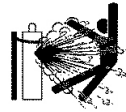
## MACHINE MOTION CAN CAUSE INJURY

When an original equipment manufacturer (OEM) makes a cutting system by combining Hypertherm equipment with other equipment, the end-use customer and the OEM are responsible for providing protection against the hazardous moving parts of this cutting system. However, we advise the following to prevent operator injury and equipment damage:

- Read and follow the instruction manual provided by the OEM.
- Maintain a restricted-access area larger than the maximum movement range of the cutting system's moving parts.
- Where there is a risk of collision, do not allow personnel or equipment near the cutting system's moving parts.
- Avoid accidental contact with the CNC touchscreen or joystick. Accidental contact can activate commands and result in unintended motion.
- Do not service or clean the machinery during operation.
- If servicing is required, enable the safety interlock or disconnect and lock out/tag out power to disable the motors and prevent motion.
- Allow only qualified personnel to operate, maintain, and service the machinery.

### COMPRESSED GAS EQUIPMENT SAFETY

- Never lubricate cylinder valves or regulators with oil or grease.
- Use only correct gas cylinders, regulators, hoses, and fittings designed for the specific application.
- Maintain all compressed gas equipment and associated parts in good condition.
- Label and color-code all gas hoses to identify the type of gas in each hose. Consult applicable national and local regulations.



### GAS CYLINDERS CAN EXPLODE IF DAMAGED

Gas cylinders contain gas under high pressure. If damaged, a cylinder can explode.

- Handle and use compressed gas cylinders in accordance with applicable national and local regulations.
- Never use a cylinder that is not upright and secured in place.
- Keep the protective cap in place over the valve except when the cylinder is in use or connected for use.
- Never allow electrical contact between the plasma arc and a cylinder.
- Never expose cylinders to excessive heat, sparks, slag, or open flame.
- Never use a hammer, wrench, or other tool to open a stuck cylinder valve.



### TOXIC FUMES CAN CAUSE INJURY OR DEATH

The plasma arc by itself is the heat source used for cutting. Accordingly, although the plasma arc has not been identified as a source of toxic fumes, the material being cut can be a source of toxic fumes or gases that deplete oxygen.

The fumes produced vary depending on the metal that is cut. Metals that may release toxic fumes include, but are not limited to, stainless steel, carbon steel, zinc (galvanized), and copper.

In some cases, the metal may be coated with a substance that could release toxic fumes. Toxic coatings include, but are not limited to, lead (in some paints), cadmium (in some paints and fillers), and beryllium.

The gases produced by plasma cutting vary based on the material to be cut and the method of cutting, but may include ozone, oxides of nitrogen, hexavalent chromium, hydrogen, and other substances if such are contained in or released by the material being cut.

Caution should be taken to minimize exposure to fumes produced by any industrial process. Depending on the chemical composition and concentration of the fumes (as well as other factors, such as ventilation), there may be a risk of physical illness, such as birth defects or cancer.

It is the responsibility of the equipment and site owner to test the air quality in the cutting area and to make sure that the air quality in the workplace meets all local and national standards and regulations.

The air quality level in any relevant workplace depends on site-specific variables such as:

- Table design (wet, dry, underwater).
- Material composition, surface finish, and composition of coatings.
- Volume of material removed.
- Duration of cutting or gouging.
- Size, air volume, ventilation, and filtration of the workplace.
- Personal protective equipment.
- Number of welding and cutting systems in operation.
- Other workplace processes that may produce fumes.

If the workplace must conform to national or local regulations, only monitoring or testing done at the site can determine whether the workplace is above or below allowable levels.

To reduce the risk of exposure to fumes:

- Remove all coatings and solvents from the metal before cutting.
- Use local exhaust ventilation to remove fumes from the air.
- Do not inhale fumes. Wear an air-supplied respirator when cutting any metal coated with, containing, or suspected to contain toxic elements.
- Make sure that those using welding or cutting equipment, as well as air-supplied respiration devices, are qualified and trained in the proper use of such equipment.
- Never cut containers with potentially toxic materials inside. Empty and properly clean the container first.
- Monitor or test the air quality at the site as needed.
- Consult with a local expert to implement a site plan to make sure air quality is safe.





## A PLASMA ARC CAN CAUSE INJURY AND BURNS

### Instant-on torches

A plasma arc ignites immediately when the torch switch is activated.

The plasma arc will cut quickly through gloves and skin.

- Keep away from the torch tip.
- Do not hold metal near the cutting path.
- Never point the torch toward yourself or others.



## ARC RAYS CAN BURN EYES AND SKIN

**Eye protection** Plasma arc rays produce intense visible and invisible (ultraviolet and infrared) rays that can burn eyes and skin.

- Use eye protection in accordance with applicable national and local regulations.
- Wear eye protection (safety glasses or goggles with side shields, and a welding helmet) with appropriate lens shading to protect your eyes from the arc's ultraviolet and infrared rays.

**Skin protection** Wear protective clothing to protect against burns caused by ultraviolet light, sparks, and hot metal.

- Wear gauntlet gloves, safety shoes, and hat.

- Wear flame-retardant clothing to cover all exposed areas.
- Wear cuffless trousers to prevent entry of sparks and slag.

Also, remove any combustibles, such as a butane lighter or matches, from your pockets before cutting.

**Cutting area** Prepare the cutting area to reduce reflection and transmission of ultraviolet light:

- Paint walls and other surfaces with dark colors to reduce reflection.
- Use protective screens or barriers to protect others from flash and glare.
- Warn others not to watch the arc. Use placards or signs.

Arc current	Minimum protective shade number (ANSI Z49.1:2012)	Suggested shade number for comfort (ANSI Z49.1:2012)	OSHA 29CFR 1910.133(a)(5)	Europe EN168:2002
Less than 40 A	5	5	8	9
41 A to 60 A	6	6	8	9
61 A to 80 A	8	8	8	9
81 A to 125 A	8	9	8	9
126 A to 150 A	8	9	8	10
151 A to 175 A	8	9	8	11
176 A to 250 A	8	9	8	12
251 A to 300 A	8	9	8	13
301 A to 400 A	9	12	9	13
401 A to 800 A	10	14	10	N/A



## PACEMAKER AND HEARING AID OPERATION

Pacemaker and hearing aid operation can be affected by magnetic fields from high currents.

Pacemaker and hearing aid wearers should consult a doctor before going near any plasma arc cutting and gouging operations.

To reduce magnetic field hazards:

- Keep both the work lead and the torch lead to one side, away from your body.
- Route the torch leads as close as possible to the work lead.
- Do not wrap or drape the torch lead or work lead around your body.
- Keep as far away from the power supply as possible.



### NOISE CAN DAMAGE HEARING

Cutting with a plasma arc can exceed acceptable noise levels as defined by local regulations in many applications. Prolonged exposure to excessive noise can damage hearing. Always wear proper ear protection when cutting or gouging, unless sound pressure level measurements taken at the site have verified personal hearing protection is not necessary per relevant international, regional, and local regulations.

Significant noise reduction can be obtained by adding simple engineering controls to cutting tables such as barriers or curtains positioned between the plasma arc and the workstation, and/or locating the workstation away from the plasma arc. Implement administrative controls in the workplace to restrict access and limit operator exposure time, and screen off noisy areas and/or take measures to reduce reverberation in cutting areas by putting up noise absorbers.

Use ear protectors if the noise is disruptive or if there is a risk of hearing damage after all other engineering and administrative controls have been implemented. If hearing protection is required, wear only approved personal protective equipment such as ear muffs or ear plugs with a noise reduction rating appropriate for the situation. Warn others near the cutting area of possible noise hazards. In addition, ear protection can prevent hot splatter from entering the ear.

### DRY DUST COLLECTION INFORMATION

In some workplaces, dry dust can represent a potential explosion hazard.

The U.S. National Fire Protection Association's NFPA standard 68, "Explosion Protection by Deflagration Venting," provides requirements for the design, location, installation, maintenance, and use of devices and systems to vent combustion gases and pressures after any deflagration event. Consult with the manufacturer or installer of any dry dust collection system for applicable requirements before you install a new dry dust collection system or make significant changes in the process or materials used with an existing dry dust collection system.

Consult your local "Authority Having Jurisdiction" (AHJ) to determine whether any edition of NFPA standard 68 has been "adopted by reference" in your local building codes.

Refer to NFPA standard 68 for definitions and explanations of regulatory terms such as deflagration, AHJ, adopted by reference, the Kst value, deflagration index, and other terms.

Note 1 – Unless a site-specific evaluation has been completed that determines that none of the dust generated is combustible, then NFPA standard 68 requires the use of explosion vents. Design the explosion vent size and type to conform to the worst-case Kst value as described in Annex F of NFPA standard 68. NFPA standard 68 does not specifically identify plasma cutting or other thermal cutting processes as requiring deflagration venting systems, but it does apply these new requirements to all dry dust collection systems.

Note 2 – Users should consult and comply with all applicable national, state, and local regulations. Publications do not intend to urge action that is not in compliance with all applicable regulations and standards, and this manual may never be construed as doing so.

## LASER RADIATION

**Exposure to the laser beam from a laser pointer can result in serious eye injury. Avoid direct eye exposure.**

On products that use a laser pointer for alignment, one of the following laser radiation labels has been applied on the product near where the laser beam exits the enclosure. The maximum output (mV), wavelength emitted (nm), and, if appropriate, pulse duration are also provided.



Additional laser safety instructions:

- Consult with an expert on local laser regulations. Laser safety training may be required.
- Do not allow untrained persons to operate the laser. Lasers can be dangerous in the hands of untrained users.
- Do not look into the laser aperture or beam at any time.
- Position the laser as instructed to avoid unintentional eye contact.
- Do not use the laser on reflective workpieces.
- Do not use optical tools to view or reflect the laser beam.
- Do not disassemble or remove the laser or aperture cover.
- Modifying the laser or product in any way can increase the risk of laser radiation.
- Use of adjustments or performance of procedures other than those specified in this manual may result in hazardous laser radiation exposure.
- Do not operate in explosive atmospheres, such as in the presence of flammable liquids, gases, or dust.
- Use only laser parts and accessories that are recommended or provided by the manufacturer for your model.
- Repairs and servicing **must** be performed by qualified personnel.
- Do not remove or deface the laser safety label.

## ADDITIONAL SAFETY INFORMATION

1. ANSI Standard Z49.1, Safety in Welding and Cutting, American Welding Society, 550 LeJeune Road, P.O. Box 351020, Miami, FL 33135
2. ANSI Standard Z49.2, Fire Prevention in the Use of Cutting and Welding Processes, American National Standards Institute, 1430 Broadway, New York, NY 10018
3. ANSI Standard Z87.1, Safe Practices for Occupation and Educational Eye and Face Protection, American National Standards Institute, 1430 Broadway, New York, NY 10018
4. AWS F4.1, Recommended Safe Practices for the Preparation for Welding and Cutting of Containers and Piping That Have Held Hazardous Substances, American Welding Society, 550 LeJeune Road, P.O. Box 351040, Miami, FL 33135
5. AWS F5.2, Recommended Safe Practices for Plasma Arc Cutting, American Welding Society, 550 LeJeune Road, P.O. Box 351040, Miami, FL 33135
6. CGA Pamphlet P-1, Safe Handling of Compressed Gases in Cylinders, Compressed Gas Association, 1235 Jefferson Davis Highway, Arlington, VA 22202
7. CSA Standard W117.2, Code for Safety in Welding and Cutting, Canadian Standards Association Standard Sales, 178 Rexdale Boulevard, Rexdale, Ontario M9W 1R3, Canada
8. NFPA Standard 51B, Cutting and Welding Processes, National Fire Protection Association, 1 Batterymarch Park, Quincy, MA 02169-7471
9. NFPA Standard 70, National Electrical Code, National Fire Protection Association, 1 Batterymarch Park, Quincy, MA 02169-7471
10. OSHA, Safety and Health Standards, 29FR 1910 U.S. Government Printing Office, Washington, D.C. 20402
11. AWS Safety and Health Fact Sheets, American Welding Society, 550 LeJeune Road, P.O. Box 351040, Miami, FL 33135, [www.aws.org/technical/facts/](http://www.aws.org/technical/facts/)



## Introduction

Hypertherm's CE-marked equipment is built in compliance with standard EN60974-10. The equipment should be installed and used in accordance with the information below to achieve electromagnetic compatibility.

The limits required by EN60974-10 may not be adequate to completely eliminate interference when the affected equipment is in close proximity or has a high degree of sensitivity. In such cases it may be necessary to use other measures to further reduce interference.

This cutting equipment is designed for use only in an industrial environment.

## Installation and use

The user is responsible for installing and using the plasma equipment according to the manufacturer's instructions.

If electromagnetic disturbances are detected then it shall be the responsibility of the user to resolve the situation with the technical assistance of the manufacturer. In some cases this remedial action may be as simple as earthing the cutting circuit, see *Earthing of the workpiece*. In other cases, it could involve constructing an electromagnetic screen enclosing the power source and the work complete with associated input filters. In all cases, electromagnetic disturbances must be reduced to the point where they are no longer troublesome.

## Assessment of area

Before installing the equipment, the user shall make an assessment of potential electromagnetic problems in the surrounding area. The following shall be taken into account:

- a. Other supply cables, control cables, signaling and telephone cables; above, below and adjacent to the cutting equipment.
- b. Radio and television transmitters and receivers.
- c. Computer and other control equipment.
- d. Safety critical equipment, for example guarding of industrial equipment.
- e. Health of the people around, for example the use of pacemakers and hearing aids.
- f. Equipment used for calibration or measurement.
- g. Immunity of other equipment in the environment. User shall ensure that other equipment being used in the environment is compatible. This may require additional protection measures.
- h. Time of day that cutting or other activities are to be carried out.

The size of the surrounding area to be considered will depend on the structure of the building and other activities that are taking place. The surrounding area may extend beyond the boundaries of the premises.

## Methods of reducing emissions

### Mains supply

Cutting equipment must be connected to the mains supply according to the manufacturer's recommendations. If interference occurs, it may be necessary to take additional precautions such as filtering of the mains supply.

Consideration should be given to shielding the supply cable of permanently installed cutting equipment, in metallic conduit or equivalent. Shielding should be electrically continuous throughout its length. The shielding should be connected to the cutting mains supply so that good electrical contact is maintained between the conduit and the cutting power source enclosure.

### Maintenance of cutting equipment

The cutting equipment must be routinely maintained according to the manufacturer's recommendations. All access and service doors and covers should be closed and properly fastened when the cutting equipment is in operation. The cutting equipment should not be modified in any way, except as set forth in and in accordance with the manufacturer's written instructions. For example, the spark gaps of arc striking and stabilizing devices should be adjusted and maintained according to the manufacturer's recommendations.

### Cutting cables

The cutting cables should be kept as short as possible and should be positioned close together, running at or close to the floor level.

### Equipotential bonding

Bonding of all metallic components in the cutting installation and adjacent to it should be considered.

However, metallic components bonded to the workpiece will increase the risk that the operator could receive a shock by touching these metallic components and the electrode (nozzle for laser heads) at the same time.

The operator should be insulated from all such bonded metallic components.

## **Electromagnetic Compatibility (EMC)**

---

### **Earthing of the workpiece**

Where the workpiece is not bonded to earth for electrical safety, nor connected to earth because of its size and position, for example, ship's hull or building steel work, a connection bonding the workpiece to earth may reduce emissions in some, but not all instances. Care should be taken to prevent the earthing of the workpiece increasing the risk of injury to users, or damage to other electrical equipment. Where necessary, the connection of the workpiece to earth should be made by a direct connection to the workpiece, but in some countries where direct connection is not permitted, the bonding should be achieved by suitable capacitances selected according to national regulations.

Note: The cutting circuit may or may not be earthed for safety reasons. Changing the earthing arrangements should only be authorized by a person who is competent to assess whether the changes will increase the risk of injury, for example, by allowing parallel cutting current return paths which may damage the earth circuits of other equipment. Further guidance is provided in IEC 60974-9, Arc Welding Equipment, Part 9: Installation and Use.

### **Screening and shielding**

Selective screening and shielding of other cables and equipment in the surrounding area may alleviate problems of interference. Screening of the entire plasma cutting installation may be considered for special applications.

## Attention

Genuine Hypertherm parts are the factory-recommended replacement parts for your Hypertherm system. Any damage or injury caused by the use of other than genuine Hypertherm parts may not be covered by the Hypertherm warranty, and will constitute misuse of the Hypertherm Product.

You are solely responsible for the safe use of the Product. Hypertherm does not and cannot make any guarantee or warranty regarding the safe use of the product in your environment.

## General

Hypertherm Inc. warrants that its Products shall be free from defects in materials and workmanship for the specific periods of time set forth herein and as follows: if Hypertherm is notified of a defect (i) with respect to the plasma power supply within a period of two (2) years from the date of its delivery to you, with the exception of Powermax brand power supplies, which shall be within a period of three (3) years from the date of delivery to you, and (ii) with respect to the torch and leads within a period of one (1) year from its date of delivery to you, with the exception of the HPRXD short torch with integrated lead, which shall be within a period of six (6) months from the date of delivery to you, and with respect to torch lifter assemblies within a period of one (1) year from its date of delivery to you, and with respect to Automation products one (1) year from its date of delivery to you, with the exception of the EDGE Connect CNC, EDGE Connect T CNC, EDGE Connect TC CNC, EDGE Pro CNC, EDGE Pro Ti CNC, MicroEDGE Pro CNC, and ArcGlide THC, which shall be within a period of two (2) years from the date of delivery to you, and (iii) with respect to HyIntensity fiber laser components within a period of two (2) years from the date of its delivery to you, with the exception of laser heads and beam delivery cables, which shall be within a period of one (1) year from its date of delivery to you.

All third-party engines, engine accessories, alternators, and alternator accessories are covered by the respective manufacturers' warranties and not covered by this warranty.

This warranty shall not apply to any Powermax brand power supplies that have been used with phase converters. In addition, Hypertherm does not warranty systems that have been damaged as a result of poor power quality, whether from phase converters or incoming line power. This warranty shall not apply to any product which has been incorrectly installed, modified, or otherwise damaged.

Hypertherm provides repair, replacement or adjustment of the Product as the sole and exclusive remedy, if and only if the warranty set forth herein properly is invoked and applies. Hypertherm, at its sole option, shall repair, replace, or adjust, free of charge, any defective Products covered by this warranty which shall be returned with Hypertherm's prior authorization (which shall not be unreasonably withheld), properly packed, to Hypertherm's place of business in Hanover, New Hampshire, or to an authorized Hypertherm repair facility, all costs, insurance and freight pre paid by the customer. Hypertherm shall not be liable for any repairs, replacement, or adjustments of Products covered by this warranty, except those made pursuant to this paragraph and with Hypertherm's prior written consent.

The warranty set forth above is exclusive and is in lieu of all other warranties, express, implied, statutory, or otherwise with respect to the Products or as to the results which may be obtained therefrom, and all implied warranties or conditions of quality or of merchantability or fitness for a particular purpose or against infringement. The foregoing shall constitute the sole and exclusive remedy for any breach by Hypertherm of its warranty.

Distributors/OEMs may offer different or additional warranties, but Distributors/OEMs are not authorized to give any additional warranty protection to you or make any representation to you purporting to be binding upon Hypertherm.

## Patent indemnity

Except only in cases of products not manufactured by Hypertherm or manufactured by a person other than Hypertherm not in strict conformity with Hypertherm's specifications and in cases of designs, processes, formulae, or combinations not developed or purported to be developed by Hypertherm, Hypertherm will have the right to defend or settle, at its own expense, any suit or proceeding brought against you alleging that the use of the Hypertherm product, alone and not in combination with any other product not supplied by Hypertherm, infringes any patent of any third party. You shall notify Hypertherm promptly upon learning of any action or threatened action in connection with any such alleged infringement (and in any event no longer than fourteen (14) days after learning of any action or threat of action), and Hypertherm's obligation to defend shall be conditioned upon Hypertherm's sole control of, and the indemnified party's cooperation and assistance in, the defense of the claim.

## Limitation of liability

**In no event shall Hypertherm be liable to any person or entity for any incidental, consequential direct, indirect, punitive or exemplary damages (including but not limited to lost profits) regardless of whether such liability is based on breach of contract, tort, strict liability, breach of warranty, failure of essential purpose, or otherwise, and even if advised of the possibility of such damages. Hypertherm shall not be liable for any losses to Distributor based on down time, lost production or lost profits. It is the intention of the Distributor and Hypertherm that this provision be construed by a court as being the broadest limitation of liability consistent with applicable law.**

## National and local codes

National and local codes governing plumbing and electrical installation shall take precedence over any instructions contained in this manual. In no event shall Hypertherm be liable for injury to persons or property damage by reason of any code violation or poor work practices.

# Warranty

---

## Liability cap

**In no event shall Hypertherm's liability, if any, whether such liability is based on breach of contract, tort, strict liability, breach of warranties, failure of essential purpose or otherwise, for any claim, action, suit or proceeding (whether in court, arbitration, regulatory proceeding or otherwise) arising out of or relating to the use of the Products exceed in the aggregate the amount paid for the Products that gave rise to such claim.**

## Insurance

At all times you will have and maintain insurance in such quantities and types, and with coverage sufficient and appropriate to defend and to hold Hypertherm harmless in the event of any cause of action arising from the use of the products.

## Transfer of rights

You may transfer any remaining rights you may have hereunder only in connection with the sale of all or substantially all of your assets or capital stock to a successor in interest who agrees to be bound by all of the terms and conditions of this Warranty. Within thirty (30) days before any such transfer occurs, you agree to notify in writing Hypertherm, which reserves the right of approval. Should you fail timely to notify Hypertherm and seek its approval as set forth herein, the Warranty set forth herein shall be null and void and you will have no further recourse against Hypertherm under the Warranty or otherwise.

## Waterjet product warranty coverage

<b>Product</b>	<b>Parts coverage</b>
HyPrecision pumps	27 months from the ship date, or 24 months from the date of proven installation, or 4,000 hours, whichever occurs first
PowerDredge abrasive removal system	15 months from the ship date or 12 months from the date of proven installation, whichever occurs first
EcoSift abrasive recycling system	15 months from the ship date or 12 months from the date of proven installation, whichever occurs first
Abrasive metering devices	15 months from the ship date or 12 months from the date of proven installation, whichever occurs first
On/off valve air actuators	15 months from the ship date or 12 months from the date of proven installation, whichever occurs first
Diamond orifices	600 hours of use with the use of a thimble filter and compliance with Hypertherm's water quality requirements

Consumable parts are not covered by this warranty. Consumable parts include, but are not limited to, high-pressure water seals, check valves, cylinders, bleed-down valves, low-pressure seals, high-pressure tubing, low- and high-pressure water filters and abrasive collection bags. All third-party pumps, pump accessories, hoppers, hopper accessories, dryer boxes, dryer box accessories and plumbing accessories are covered by the respective manufacturers' warranties and not covered by this warranty.



## Introduction

Hypertherm maintains a global Regulatory Management System to ensure that products comply with regulatory and environmental requirements.

## National and local safety regulations

National and Local safety regulations shall take precedence over any instructions provided with the product. The product shall be imported, installed, operated and disposed of in accordance with national and local regulations applicable to the installed site.

## Certification test marks

Certified products are identified by one or more certification test marks from accredited testing laboratories. The certification test marks are located on or near the data plate.

Each certification test mark means that the product and its safety-critical components conform to the relevant national safety standards as reviewed and determined by that testing laboratory. Hypertherm places a certification test mark on its products only after that product is manufactured with safety-critical components that have been authorized by the accredited testing laboratory.

Once the product has left the Hypertherm factory, the certification test marks are invalidated if any of the following occurs:

- The product is modified in a manner that creates a hazard or non-conformance with the applicable standards.
- Safety-critical components are replaced with unauthorized spare parts.
- Any unauthorized assembly, or accessory that uses or generates a hazardous voltage is added.
- There is any tampering with a safety circuit or other feature that is designed into the product as part of the certification, or otherwise.

CE marking constitutes a manufacturer's declaration of conformity to applicable European directives and standards. Only those versions of Hypertherm products with a CE Marking located on or near the data plate have been tested for compliance with the European Low Voltage Directive and the European EMC Directive. EMC filters needed to comply with the European EMC Directive are incorporated within versions of the power supply with a CE Marking.

Certificates of compliance for Hypertherm products are available from the Documents Library on the Hypertherm web site at [www.hypertherm.com/docs](http://www.hypertherm.com/docs).

## Differences in national standards

Nations may apply different performance, safety or other standards. National differences in standards include, but are not limited to:

- Voltages
- Plug and cord ratings
- Language requirements
- Electromagnetic compatibility requirements

These differences in national or other standards may make it impossible or impractical for all certification test marks to be placed on the same version of a product. For example, the CSA versions of Hypertherm's products do not comply with European EMC requirements, and therefore do not have a CE marking on the data plate.

Countries that require CE marking or have compulsory EMC regulations must use CE versions of Hypertherm products with the CE marking on the data plate. These include, but are not limited to:

- Australia
- New Zealand
- Countries in the European Union
- Russia

It is important that the product and its certification test mark be suitable for the end-use installation site. When Hypertherm products are shipped to one country for export to another country; the product must be configured and certified properly for the end-use site.

## Safe installation and use of shape cutting equipment

IEC 60974-9, titled Arc Welding Equipment – Installation and use, provides guidance in the safe installation and use of shape cutting equipment and the safe performance of cutting operations. The requirements of national and local regulations shall be taken into consideration during installation, including, but not limited to, grounding or protective earth connections, fuses, supply disconnecting device, and type of supply circuit. Read these instructions before installing the equipment. The first and most important step is the safety assessment of the installation.

The safety assessment must be performed by an expert, and determines what steps are necessary to create a safe environment, and what precautions should be adopted during the actual installation and operation.

## Procedures for periodic inspection and testing

Where required by local national regulations, IEC 60974-4 specifies test procedures for periodic inspection and after repair or maintenance, to ensure electrical safety for plasma cutting power sources built in conformity with IEC 60974-1. Hypertherm performs the continuity of the protective circuit and insulation resistance tests in the factory as non-operating tests. The tests are performed with the power and ground connections removed.

Hypertherm also removes some protective devices that would cause false test results. Where required by local national regulations, a label shall be attached to the equipment to indicate that it has passed the tests prescribed by IEC 60974-4. The repair report shall indicate the results of all tests unless an indication is made that a particular test has not been performed.

### Qualification of test personnel

Electrical safety tests for shape cutting equipment can be hazardous and shall be carried out by an expert in the field of electrical repair, preferably someone also familiar with welding, cutting, and allied processes. The safety risks to personnel and equipment, when unqualified personnel are performing these tests, may be much greater than the benefit of periodic inspection and testing.

Hypertherm recommends that only visual inspection be performed unless the electrical safety tests are specifically required by local national regulations in the country where the equipment is installed.

### Residual current devices (RCDs)

In Australia and some other countries, local codes may require the use of a Residual Current Devices (RCD) when portable electrical equipment is used in the workplace or at construction sites to protect operators from electrical faults in the equipment. RCDs are designed to safely disconnect the mains electrical supply when an imbalance is detected between the supply and return current (there is a leakage current to earth). RCDs are available with both fixed and adjustable trip currents between 6 to 40 milliamperes and a range of trip times up to 300 milliseconds selected for the equipment installation, application and intended use. Where RCDs are used, the trip current and trip time on RCDs should be selected or adjusted high enough to avoid nuisance tripping during normal operation of the plasma cutting equipment and low enough in the extremely unlikely event of an electrical fault in the equipment to disconnect the supply before the leakage current under a fault condition can pose a life threatening electrical hazard to operators.

To verify that the RCDs continue to function properly over time, both the trip current and the trip time should be tested periodically. Portable electrical equipment and RCDs used in commercial and industrial areas in Australia and New Zealand are tested to the Australian standard AS/NZS 3760. When you test the insulation of plasma cutting equipment to AS/NZS 3760, measure the insulation resistance according to Appendix B of the standard, at 250 VDC with the power switch in the ON position to verify proper testing and to avoid the false failure of the leakage current test. False failures are possible because the metal oxide varistors (MOVs) and electromagnetic compatibility (EMC) filters, used to reduce emissions and protect the equipment from power surges, may conduct up to 10 milliamperes leakage current to earth under normal conditions.

If you have any questions regarding the application or interpretation of any IEC standards described here, you are required to consult with an appropriate legal or other advisor familiar with the International Electrotechnical standards, and shall not rely on Hypertherm in any respect regarding the interpretation or application of such standards.

### Higher-level systems

When a system integrator adds additional equipment; such as cutting tables, motor drives, motion controllers or robots; to a Hypertherm plasma cutting system, the combined system may be considered a higher-level system. A higher-level system with hazardous moving parts may constitute industrial machinery or robotic equipment, in which case the OEM or end-use customer may be subject to additional regulations and standards than those relevant to the plasma cutting system as manufactured by Hypertherm.

It is the responsibility of the end-use customer and the OEM to perform a risk assessment for the higher-level system, and to provide protection against hazardous moving parts. Unless the higher-level system is certified when the OEM incorporates Hypertherm products into it, the installation also may be subject to approval by local authorities. Seek advice from legal counsel and local regulatory experts if you are uncertain about compliance.

External interconnecting cables between component parts of the higher level system must be suitable for contaminants and movement as required by the final end use installation site. When the external interconnecting cables are subject to oil, dust, water, or other contaminants, hard usage ratings may be required.

When external interconnecting cables are subject to continuous movement, constant flexing ratings may be required. It is the responsibility of the end-use customer or the OEM to ensure the cables are suitable for the application. Since there are differences in the ratings and costs that can be required by local regulations for higher level systems, it is necessary to verify that any external interconnecting cables are suitable for the end-use installation site.

## Introduction

The Hypertherm Environmental Specification requires RoHS, WEEE and REACH substance information to be provided by Hypertherm's suppliers.

Product environmental compliance does not address the indoor air quality or environmental release of fumes by the end user. Any materials that are cut by the end user are not provided by Hypertherm with the product. The end user is responsible for the materials being cut as well as for safety and air quality in the workplace. The end user must be aware of the potential health risks of the fumes released from the materials being cut and comply with all local regulations.

## National and local environmental regulations

National and local environmental regulations shall take precedence over any instructions contained in this manual.

The product shall be imported, installed, operated and disposed of in accordance with all national and local environmental regulations applicable to the installed site.

The European Environmental regulations are discussed later in *The WEEE Directive*.

## The RoHS directive

Hypertherm is committed to complying with all applicable laws and regulations, including the European Union Restriction of Hazardous Substances (RoHS) Directive that restricts the use of hazardous materials in electronics products. Hypertherm exceeds RoHS Directive compliance obligations on a global basis.

Hypertherm continues to work toward the reduction of RoHS materials in our products, which are subject to the RoHS Directive, except where it is widely recognized that there is no feasible alternative.

Declarations of RoHS Conformity have been prepared for the current CE versions of Hypertherm products that fall within the scope of the RoHS Directive. These RoHS-compliant products also have a "RoHS mark" near the "CE Marking" on the data plate. Parts and other products manufactured by Hypertherm that are either out of scope or exempt from RoHS are continuously being converted to RoHS compliance in anticipation of future requirements, and there is no "RoHS mark" on their data plates.

## Proper disposal of Hypertherm products

Hypertherm plasma cutting systems, like all electronic products, may contain materials or components, such as printed circuit boards, that cannot be discarded with ordinary waste. It is your responsibility to dispose of any Hypertherm product or component part in an environmentally acceptable manner according to national and local codes.

- In the United States, check all federal, state, and local laws.
- In the European Union, check the EU directives, national, and local laws.
- In other countries, check national and local laws.
- Consult with legal or other compliance experts when appropriate.

A variety of options for sustainable disposal of Hypertherm products are available on our website at [www.hypertherm.com/recycle](http://www.hypertherm.com/recycle).

## The WEEE Directive

The European Parliament and the Council of the European Union authorized Directive 2012/19/EU or WEEE (Waste Electrical and Electronic Equipment) Recast.

As required by the legislation, any Hypertherm product covered by the directive and sold in the EU after August 13, 2005 is marked with the WEEE symbol. This directive encourages and sets specific criteria for the collection, handling, and recycling of EEE waste. Consumer and business-to-business wastes are treated differently (all Hypertherm products are considered business-to-business). Disposal options for Hypertherm systems can be found at [www.hypertherm.com/recycle](http://www.hypertherm.com/recycle).

The URL is printed on the symbol-only warning label for each CE version Hypertherm plasma system since 2006. The CSA versions of products manufactured by Hypertherm are either out of scope or exempt from WEEE.

## The REACH regulation

The REACH regulation, in force since June 1, 2007, has an impact on chemicals available to the European market. The REACH regulation requirements for component manufacturers states that the component shall not contain more than 0.1% by weight of the Substances of Very High Concern (SVHC).

Component manufacturers and other downstream users, such as Hypertherm, are obligated to obtain assurances from its suppliers that all chemicals used in or on Hypertherm products will have a European Chemical Agency (ECHA) registration number. To provide chemical information as required by the REACH regulation, Hypertherm requires suppliers to provide REACH declarations and identify any known use of REACH SVHC. Any use of SVHC in amounts exceeding 0.1% w/w of the parts has been eliminated.

The lubricants, sealants, coolants, adhesives, solvents, coatings and other preparations or mixtures used by Hypertherm in, on, for, or with its shape cutting equipment are used in very small quantities (except the coolant) and are commercially available with multiple sources that can and will be replaced in the event of a supplier problem associated with REACH Registration or REACH Authorization (SVHCs).

### Proper handling and safe use of chemicals

Chemical Regulations in the USA, Europe, and other locations require that Material Safety Data Sheets (MSDS) or Safety Data Sheets (SDS) be made available for all chemicals. The list of chemicals is provided by Hypertherm. The MSDS are for chemicals provided with the product and other chemicals used in or on the product. MSDS can be downloaded from the Documents Library on the Hypertherm web site at [www.hypertherm.com/docs](http://www.hypertherm.com/docs). In the Documents Library, select "Material Safety Data Sheets" in the Category drop-down menu.

In the USA, OSHA does not require Material Safety Data Sheets for articles such as electrodes, swirl rings, retaining caps, nozzles, shields, deflectors and other solid parts of the torch.

Hypertherm does not manufacture or provide the materials that are cut and has no knowledge whether the fumes released from materials that are cut will pose a physical hazard or health risk. Please consult with your supplier or other technical advisor if you need guidance concerning the properties of the material you will cut using a Hypertherm product.

### Fumes emission and air quality

Note: The following information on air quality is intended for general information only and should not be used as a substitute for reviewing and implementing applicable government regulations or legal standards in the country where the cutting equipment will be installed and operated.

In the USA, the National Institute for Occupational Safety and Health (NIOSH) Manual of Analytical Methods (NMAM) is a collection of methods for sampling and analyzing contaminants in workplace air. Methods published by others, such as OSHA, MSHA, EPA, ASTM, ISO or commercial suppliers of sampling and analytical equipment, may have advantages over NIOSH methods.

For example, ASTM Practice D 4185 is a standard practice for the collection, dissolution, and determination of trace metals in workplace atmospheres. The sensitivity, detection limit, and optimum working concentrations for 23 metals are listed in ASTM D 4185. An industrial hygienist should be used to determine the optimum sampling protocol, considering analytical accuracy, cost, and optimum sample number. Hypertherm uses a third party industrial hygienist to perform and interpret air quality testing results taken by air sampling equipment positioned at operator stations in Hypertherm buildings where plasma cutting tables are installed and operated.

Where applicable, Hypertherm also uses a third party industrial hygienist to obtain air and water permits.

If you are not fully aware and up to date on all applicable government regulations and legal standards for the installation site, you should consult a local expert prior to purchasing, installing, and operating the equipment.

## **System description**

### **General**

The MAXPRO200 plasma system is designed to cut a wide range of thicknesses of mild steel, stainless steel, and aluminum.

### **Power supply**

The power supply is a 200 A, 165 VDC constant-current supply. It contains the circuitry to ignite a torch, plus a heat exchanger and a pump to cool the chopper and torch. The power supply has a discrete machine interface to provide communication with a CNC.

### **Ignition console**

The ignition console is attached to the outside of the rear panel of the power supply enclosure. The ignition console uses a spark-gap assembly. The ignition console converts 120 VAC control voltage from the power supply into high-frequency and high-voltage pulses (9–10 kV) to initiate the pilot arc at the torch electrode-nozzle gap. The high-voltage, high-frequency signal is coupled to the pilot arc lead.

## Specifications

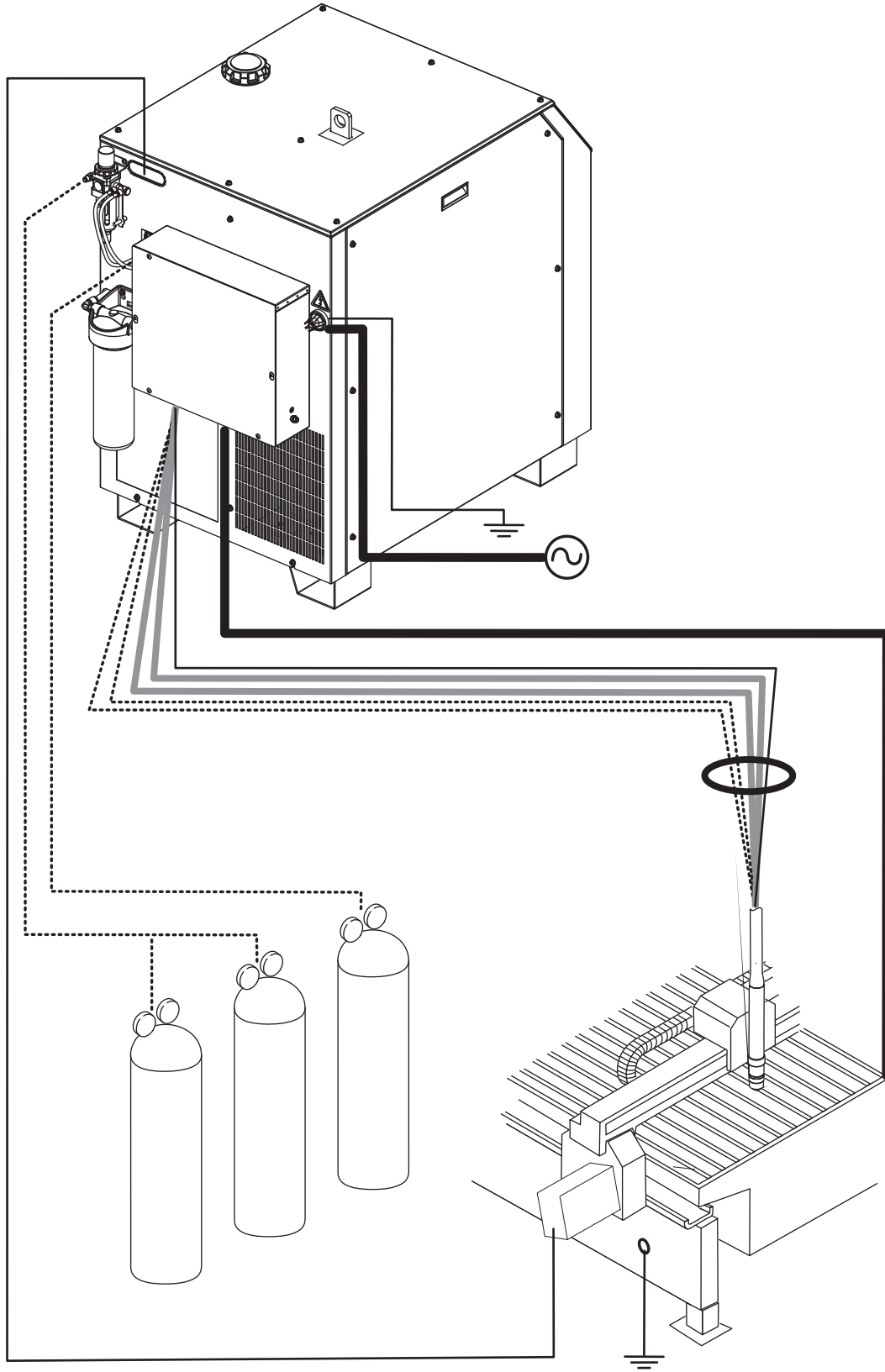
---

### Torch

- The maximum production cutting capacity is the maximum thickness that can be cut with a 100% duty cycle. The maximum production cutting capacity of the MAXPRO200 torch is 32 mm (1-1/4 inches) for mild steel using the 200 amp O<sub>2</sub>/Air process, 22 mm (7/8 inch) for stainless steel, and 19 mm (5/8 inch) for aluminum using the 200 amp Air/Air process.
- Maximum pierce capacity is 32 mm (1.25 inches) for mild steel, 25 mm (1 inch) for stainless steel, and 32 mm (1.25 inch) for aluminum.
- The maximum severance capacity is the maximum thickness that can be severed without regard for speed and cut quality. This thickness should only be cut occasionally and cannot be cut with a 100% duty cycle. The maximum severance capacity of the MAXPRO200 torch is 75 mm (3 inches) for mild steel, 63 mm (2-1/2 inches) for stainless steel, and 75 mm (3 inches) for aluminum.

### Gas system

The gas system manages the pressure and timing of the gas supplied to the torch. It consists of a regulator, proportional valves, pressure transducers, and an inline valve located in the torch lead.



## Specifications

### Cooling system

The cooling system uses a liquid-to-air cooled heat exchanger and a pump to reduce the temperature of the coolant. The coolant cools the chopper, torch lead and torch. The cooling system also contains flow and temperature sensors that verify the cooling system is working properly.

### System gas requirements

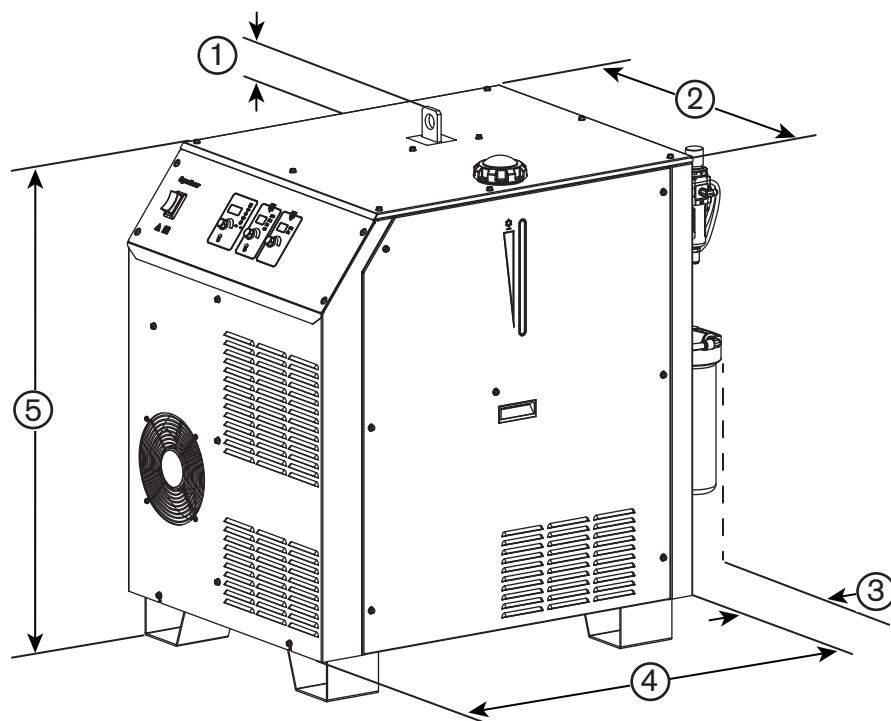
Gas quality and pressure requirements			
Gases	Quality	Pressure +/- 10%	Flow rate
O <sub>2</sub> oxygen	99.5% pure (liquid gas recommended) Clean, dry, and oil free	621 kPa / 6.2 bar / 90 psi	3400 l/h 120 scfh
N <sub>2</sub> nitrogen	99.9% pure (liquid gas recommended) Clean, dry, and oil free	621 kPa / 6.2 bar / 90 psi	11330 l/h 400 scfh
Air	Clean, dry, and oil free (ISO 8573-1 class 1.4.2)	621 kPa / 6.2 bar / 90 psi	11330 l/h 400 scfh

Gases by process						
Amperage	Mild steel		Stainless steel		Aluminum	
	Plasma gas	Shield gas	Plasma gas	Shield gas	Plasma gas	Shield gas
Cutting 50 A	Air or O <sub>2</sub>	Air	Air	Air	Air	Air
Cutting 130 A	Air or O <sub>2</sub>	Air	Air	Air	Air	Air
Cutting 130 A			N <sub>2</sub>	N <sub>2</sub>	N <sub>2</sub>	N <sub>2</sub>
Cutting 200 A	Air or O <sub>2</sub>	Air	Air	Air	Air	Air
Cutting 200 A			N <sub>2</sub>	N <sub>2</sub>	N <sub>2</sub>	N <sub>2</sub>



## Power supply

Maximum Open Circuit Voltage (OCV) ( $U_0$ )		360 VDC				
Maximum output current ( $I_2$ )		200 Amps				
Output voltage ( $U_2$ )		50 – 165 VDC				
Duty cycle rating (X)		100% @ 33 kW, 40° C (104° F)				
Ambient temperature/Duty cycle		Power supplies will operate between -10° C and +40° C (+14° F and 104° F)				
Power factor (cosφ)		0.98 @ 33 kW output				
Cooling		Forced air (Class F)				
Insulation		Class H				
Power supply part numbers	AC Voltage ( $U_1$ )	Phase	Frequency (Hz)	Amperage $I_1$	Regulatory approval	Power kVA (+/- 10%) ( $U_1 \times I_1 \times 1.73$ )
078610	200/208	3	50-60	108/104	CSA	37.4
078611	220	3	50-60	98	CSA	37.4
078612	240	3	60	90	CSA	37.4
078613	380	3	50-60	57	CCC	37.4
078614	400	3	50-60	54	CEEAC	37.4
078615	415	3	50	52	CEEAC	37.4
078616	440	3	50-60	49	CSA	37.4
078609	480	3	60	45	CSA	37.4
078617	600	3	60	36	CSA	37.4



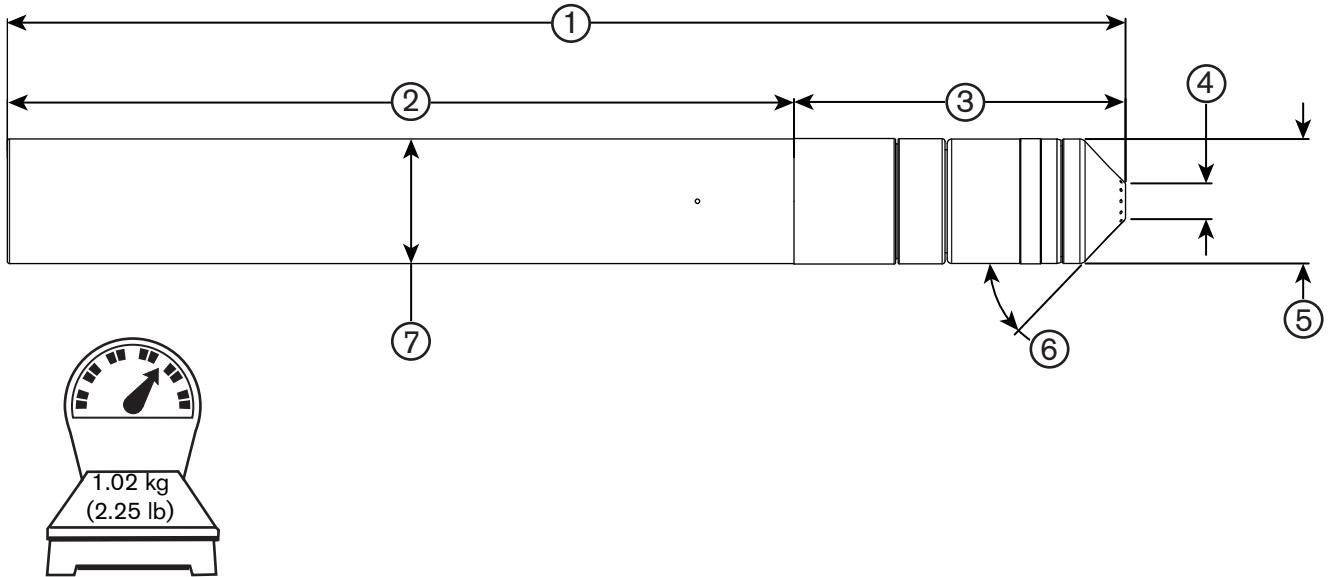
1	63.5 mm (2.5 inches)
2	688 mm (27.1 inches)
3	133 mm (5.25 inches)
4	998 mm (39.3 inches)
5	927 mm (40.1 inches)



## Mechanized torches

### Straight torch – 428024

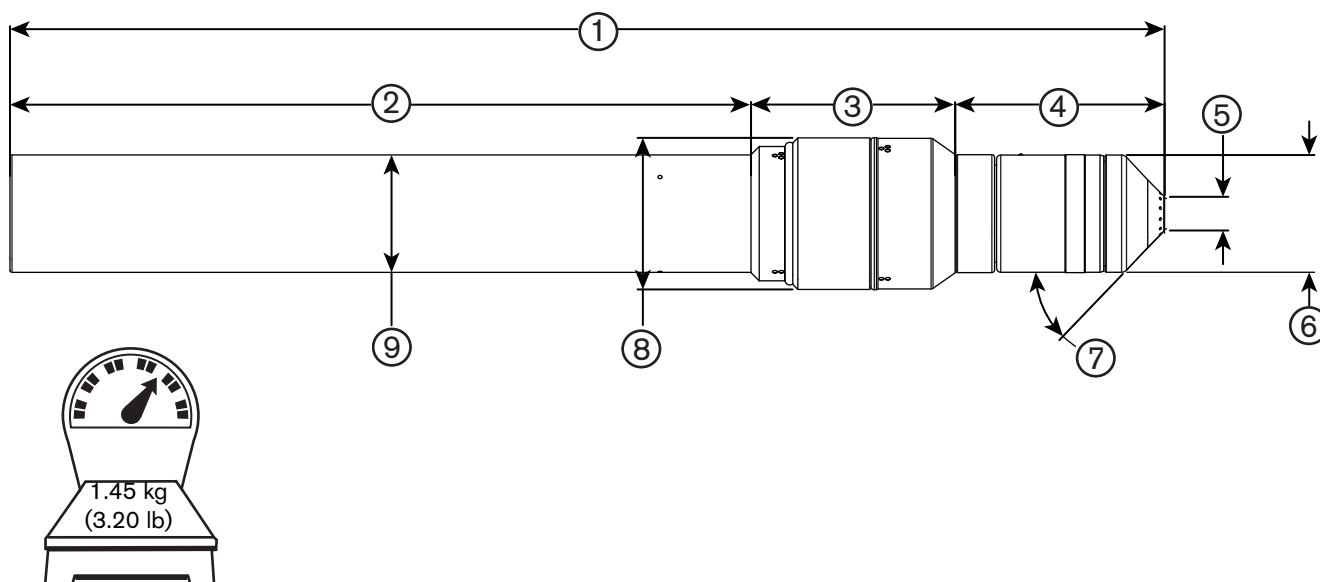
- The outside diameter of the torch mounting sleeve is 50.8 mm (2.0 inches)
- The minimum bend radius for the torch lead is 152.4 mm (6.0 inches)



1	397.15 mm (15.64 inches)
2	279.40 mm (11.00 inches)
3	117.75 mm (4.64 inches)
4	12.70 mm (0.50 inches)
5	44.20 mm (1.74 inches)
6	46 degrees
7	44.20 mm (1.74 inches)

**Quick-disconnect torch – 428027 or 428028**

- The torch mounting sleeve for the quick-disconnect torch is available with an outside diameter of 50.8 mm (2.0 inches) or 44.45 mm (1.75 inches)
- The minimum bend radius for the torch lead is 152.4 mm (6.0 inches)

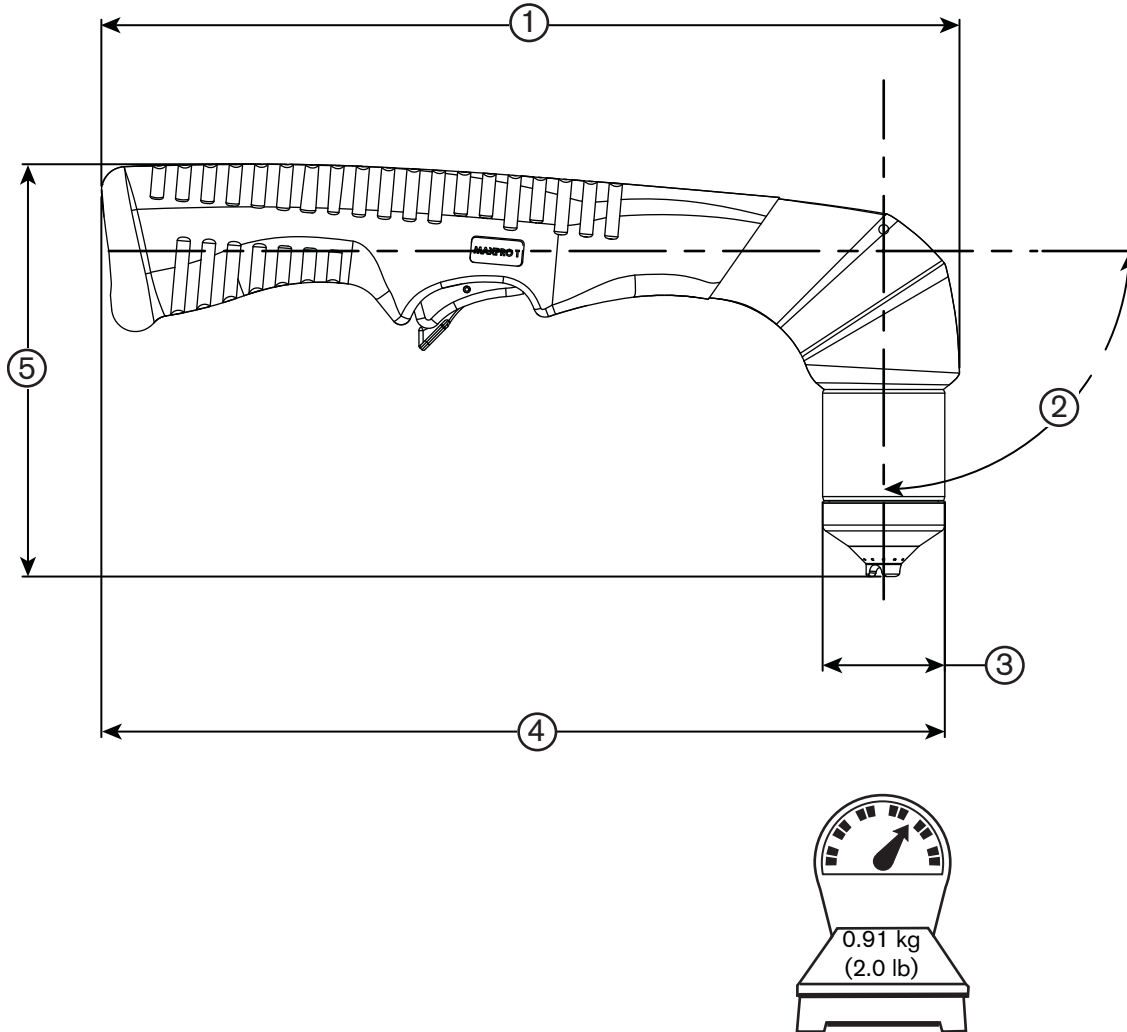


1	435.33 mm (17.14 inches)
2	279.40 mm (11.00 inches)
3	76.98 mm (3.03 inches)
4	78.95 mm (3.11 inches)
5	12.70 mm (0.50 inches)
6	44.20 mm (1.74 inches)
7	46 degrees
8	57.15 mm (2.25 inches)
9	44.20 mm (1.74 inches)

## Hand torches

### 90 degree hand torch – 420108

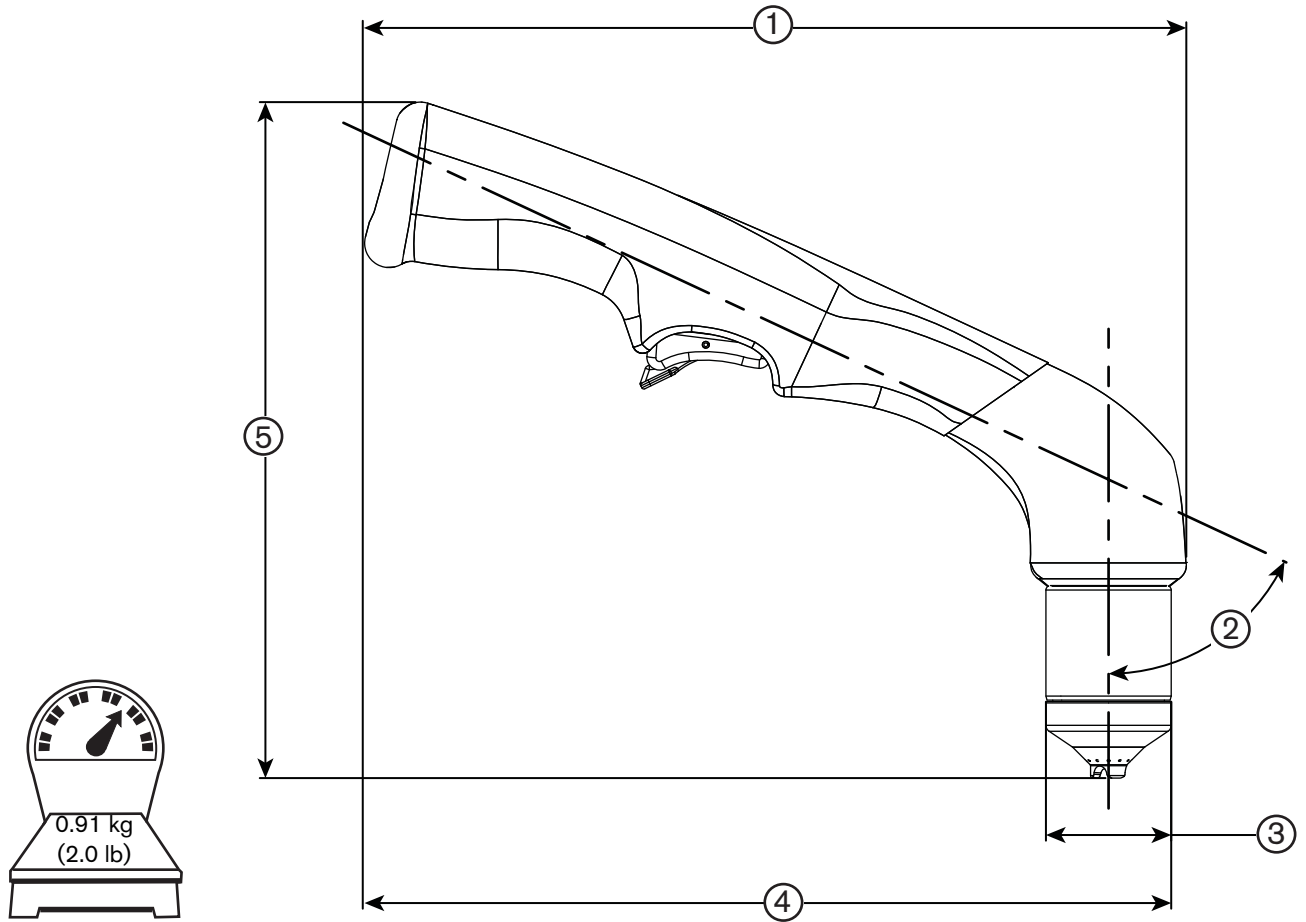
- The minimum bend radius for the torch lead is 152.4 mm (6.0 inches)



1	310.40 mm (12.22 inches)
2	90 degrees
3	44.20 mm (1.74 inches)
4	305.05 mm (12.01 inches)
5	149.10 mm (5.87 inches)

**65 degree hand torch – 420107**

- The minimum bend radius for the torch lead is 152.4 mm (6.0 inches)



1	290.58 mm (11.44 inches)
2	65 degrees
3	44.20 mm (1.74 inches)
4	285.24 mm (11.23 inches)
5	238.51 mm (9.39 inches)

### Symbols and marks

Your product may have one or more of the following marks on or near the data plate. Due to differences and conflicts in national regulations, not all marks are applied to every version of a product.



#### **S mark**

The S mark indicates that the power supply and torch are suitable for operations carried out in environments with increased hazard of electrical shock according to IEC 60974-1.



#### **CSA mark**

Products with a CSA mark meet the United States and Canadian regulations for product safety. The products were evaluated, tested, and certified by CSA-International. Alternatively, the product may have a mark by one of the other Nationally Recognized Testing Laboratories (NRTL) accredited in both the United States and Canada, such as UL or TÜV.



#### **CE mark**

The CE marking signifies the manufacturer's declaration of conformity to applicable European directives and standards. Only those versions of products with a CE marking located on or near the data plate have been tested for compliance with the European Low Voltage Directive and the European Electromagnetic Compatibility (EMC) Directive. EMC filters needed to comply with the European EMC Directive are incorporated within versions of the product with a CE marking.



#### **Eurasian Customs Union (CU) mark**

CE versions of products that include an EAC mark of conformity meet the product safety and EMC requirements for export to Russia, Belarus, and Kazakhstan.



#### **GOST-TR mark**

CE versions of products that include a GOST-TR mark of conformity meet the product safety and EMC requirements for export to the Russian Federation.



#### **RCM mark**

CE versions of products with a RCM mark comply with the EMC and safety regulations required for sale in Australia and New Zealand.



#### **CCC mark**

The China Compulsory Certification (CCC) mark indicates that the product has been tested and found compliant with product safety regulations required for sale in China.



#### **UkrSEPRO mark**

The CE versions of products that include a UkrSEPRO mark of conformity meet the product safety and EMC requirements for export to the Ukraine.



#### **Serbian AAA mark**

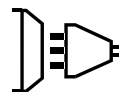
CE versions of products that include a AAA Serbian mark meet the product safety and EMC requirements for export to Serbia.

## IEC symbols

The following symbols can appear on the data plate, control labels, and switches.



Direct current (DC)



AC input power connection



Alternating current (AC)



The terminal for the external protective (earth) conductor



Plasma torch cutting



Power is ON



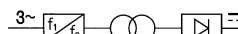
Power is OFF



Gouging



An inverter-based power source, either 1-phase or 3-phase



Volt/amperage curve, "drooping" characteristic





### **Upon receipt**

- Verify that all system components on your order have been received. Contact your supplier if any items are missing.
- Inspect the system components for any physical damage that may have occurred during shipping. If there is evidence of damage, refer to Claims. All communications regarding claims must include the model number and serial number located on the rear of the power supply.

### **Claims**

**Claims for damage during shipment** – If your unit was damaged during shipment, you must file a claim with the carrier. Hypertherm will furnish you with a copy of the bill of lading upon request. If you need additional assistance, call customer service listed in the front of this manual, or your authorized Hypertherm distributor.

**Claims for defective or missing merchandise** – If any of the merchandise is defective or missing, contact your supplier. If you need additional assistance, call Customer Service listed in the front of this manual, or your authorized Hypertherm distributor.

### **Installation requirements**

**All installation and service of the electrical and plumbing systems must conform to national and local electrical and plumbing codes. This work should be performed only by qualified, licensed personnel.**

Direct any technical questions to the nearest Hypertherm Technical Service Department listed in the front of this manual, or your authorized Hypertherm distributor.

### Noise levels

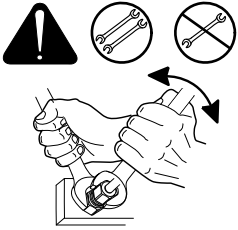
This plasma system may exceed acceptable acoustical noise levels as defined by national and local codes. Always wear proper ear protection when cutting or gouging. Any acoustical noise measurements taken depend on the specific environment in which the system is used. See *Noise can damage hearing* in the *Safety and Compliance Manual (80669C)*.

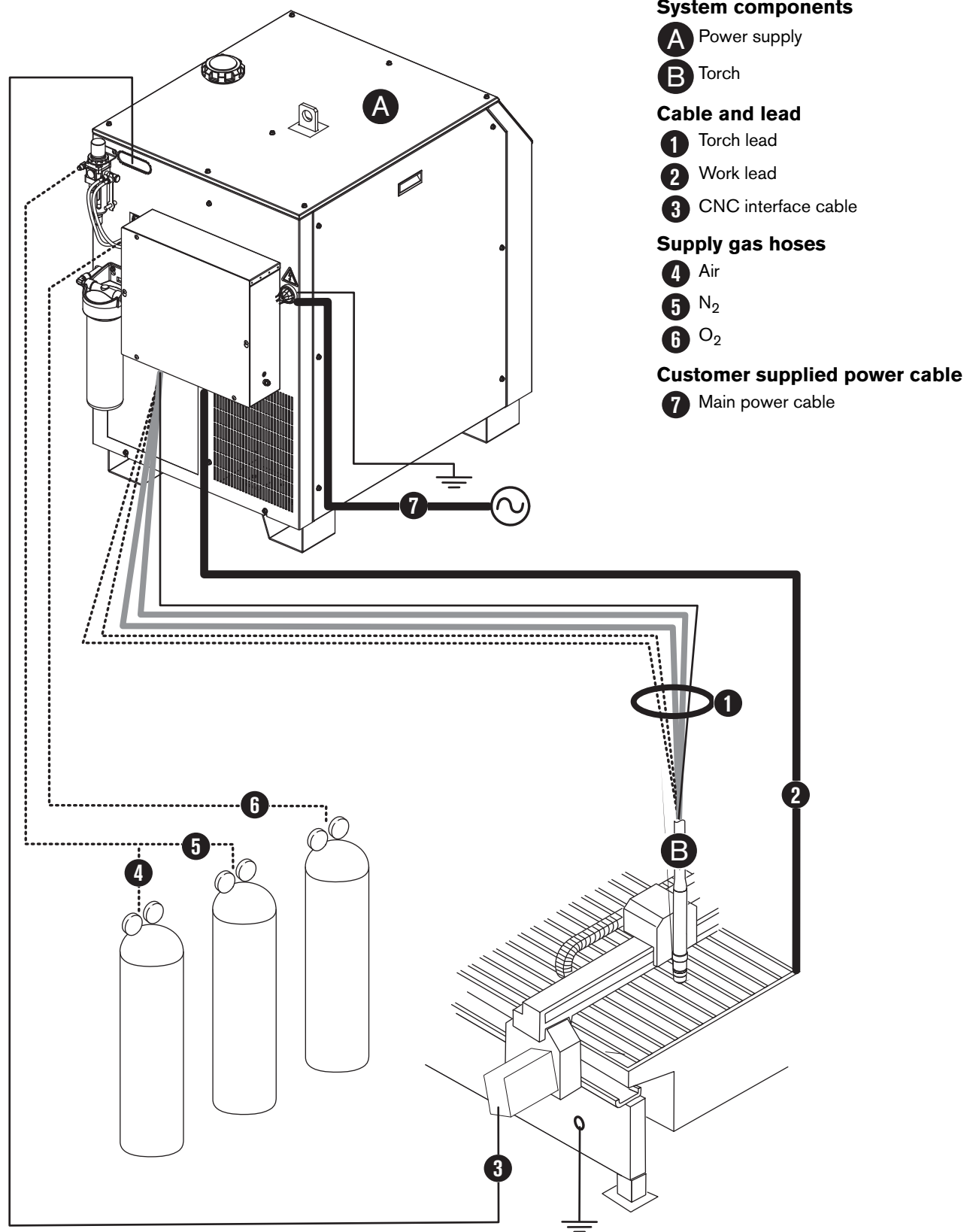
In addition, you can find an *Acoustical Noise Data Sheet* for your system at [www.hypertherm.com/docs](http://www.hypertherm.com/docs):

1. To the left of the list of documents, under **Product/Product Type**, select the product.
2. Under **Category**, click **Regulatory**.
3. In the subcategory box, click **Acoustical Noise Data Sheets**.

### Placement of system components

- Place all system components in position prior to making electrical, gas, and interface connections. Use the diagram in this section for component-placement guidelines.
- Ground all system components to earth. See *Recommended grounding and shielding* on page 44 for details.
- To prevent leaks in the system, tighten all gas connections as shown below.

	Torque specifications			
	Gas or water hose size	kgf-cm	lbf-in	lbf-ft
	Up to 10 mm (3/8 in)	8.9–9.8	75–85	6.25–7
	12 mm (1/2 in)	41.5–55	360–480	30–40



# Recommended grounding and shielding

## Introduction

This section describes practices for grounding and shielding a plasma cutting system to minimize its susceptibility to electromagnetic interference (EMI) (also known as **noise**). It also describes the service ground, protective earth (PE) ground, and DC power ground. The diagram at the end of this section shows these types of grounds in a plasma cutting system.

**Note:** The grounding practices in this section have been used on many installations with excellent results, and Hypertherm recommends that these practices be a routine part of the installation process. The actual methods used to implement these practices may vary from system to system, but should remain as consistent as possible. However, due to the variation in equipment and installations, these grounding practices may not succeed in every case to eliminate EMI problems. Hypertherm recommends that you consult your local and national electrical codes to make sure that the grounding and shielding practices that you use satisfy the requirements for your location.

## Types of grounding

**Service ground** (also known as safety ground) is the grounding system that applies to the incoming line voltage. It prevents a shock hazard to any personnel from any of the equipment or the cutting table. It includes the service ground coming into the plasma system and other systems, such as the CNC and the motor drives, as well as the supplemental ground rod connected to the cutting table. In the plasma circuits, the ground is carried from the plasma system chassis to the chassis of each separate console through the interconnecting cables.

**Protective earth (PE) ground** is the grounding system inside the electrical equipment. The PE ground, which connects to the service ground, provides electrical continuity between the equipment and the AC service.

**DC power ground** (also known as cutting current ground or work) is the grounding system that completes the path of the cutting current from the torch back to the plasma system. It requires that the positive lead from the plasma system be firmly connected to the cutting table ground bus with a properly sized cable. It also requires that the slats, on which the workpiece rests, make firm contact with the table and the workpiece.

**EMI grounding and shielding** is the grounding system that limits the amount of EMI emitted by the plasma and motor drive systems. It also limits the amount of EMI that is received by the CNC and other control and measurement circuits. The grounding practices described in this section mainly target EMI grounding and shielding.

## Grounding practices

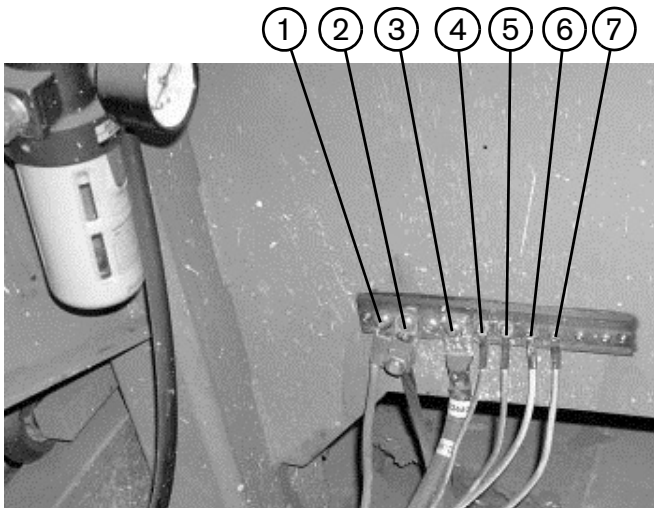
1. Unless noted, use cables with a minimum gauge of 13.3 mm<sup>2</sup> (6 AWG) (047040) for the EMI ground cables shown in the *Example grounding diagram* on page 48.
2. The cutting table is used for the common, or star, EMI ground point and should have threaded studs welded to the table with a copper bus bar mounted on them. A separate bus bar should be mounted on the gantry as close to each motor as possible. If there are motors at each end of the gantry, run a separate EMI ground cable from the far motor to the gantry bus bar. The gantry bus bar should have a separate, heavy EMI ground cable 21.2 mm<sup>2</sup> (4 AWG; 047031) to the table bus bar. The EMI ground cables for the torch lifter and the RHF or combined ignition/gas connect console must each run separately to the table ground bus.
3. Inadequate grounding not only exposes operators to dangerous voltages, but inadequate grounding also increases the risk of equipment failure and unnecessary downtime. Ideally a ground should be zero ohms resistance, but field experience indicates under 1 ohm resistance is satisfactory for most applications. Hypertherm recommends that you consult your local and national electrical codes to make sure that the grounding and shielding practices that you use satisfy the requirements for your location.
4. A ground rod (a PE ground) that meets all applicable local and national electric codes must be installed within 6 m (20 ft) of the cutting table. The PE ground must be connected to the cutting table ground bus bar using a minimum 13.3 mm<sup>2</sup> (6 AWG) green and yellow grounding cable (047121).
5. For the most effective shielding, use the Hypertherm CNC interface cables for I/O signals, serial communication signals, between plasma systems in multi-drop connections, and for interconnections between all parts of the Hypertherm system.
6. All hardware used in the ground system must be brass or copper. While you can use steel studs welded to the cutting table for mounting the ground bus, no other aluminum or steel hardware can be used in the ground system.
7. AC power, PE, and service grounds must be connected to all equipment according to local and national codes.
8. For a system with a remote high frequency (RHF) console or combined ignition/gas connect console, the positive, negative, and pilot arc leads should be bundled together for as long a distance as possible. The torch lead, work lead, and the pilot arc (nozzle) leads may be run parallel to other wires or cables only if they are separated by at least 150 mm (6 inches). If possible, run power and signal cables in separate cable tracks.
9. For a system with a RHF console or combined ignition/gas connect console, Hypertherm recommends that you mount this console as close as possible to the torch. This console also must have a separate ground cable that connects directly to the cutting table ground bus bar.
10. Each Hypertherm component, as well as any other CNC or motor drive cabinet or enclosure, must have a separate ground cable to the common (star) ground on the table. This includes the ignition/gas connect console, whether it is bolted to the plasma system or to the cutting table.

## Installation

---

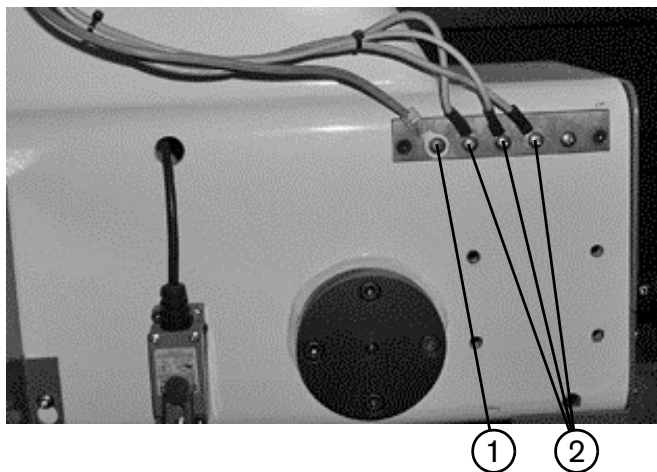
11. The metal braided shield on the torch lead must be connected firmly to the ignition/gas connect console and to the torch. It is recommended to be electrically insulated from any metal and from any contact with the floor or building. The torch lead can be run in a plastic cable tray or track, or covered with a plastic or leather sheath.
12. The torch holder and the torch breakaway mechanism – the part mounted to the lifter, not the part mounted to the torch – must be connected to the stationary part of the lifter with copper braid at least 12.7 mm (0.5 inches) wide. A separate cable must run from the lifter to the gantry ground bus bar. The valve assembly should also have a separate ground connection to the gantry ground bus bar.
13. If the gantry runs on rails that are not welded to the table, then each rail must be connected with a ground cable from the end of the rail to the table. The rail ground cables connect directly to the table and do not need to connect to the table ground bus bar.
14. If you are installing a voltage divider board, mount it as closely as possible to where the arc voltage is sampled. One recommended location is inside the plasma system enclosure. If a Hypertherm voltage divider board is used, the output signal is isolated from all other circuits. The processed signal should be run in twisted shielded cable (Belden 1800F or equivalent). Use a cable with a braided shield, not a foil shield. Connect the shield to the chassis of the plasma system and leave it unconnected at the other end.
15. All other signals (analog, digital, serial, and encoder) should run in twisted pairs inside a shielded cable. Connectors on these cables should have a metal housing. The shield, not the drain, should be connected to the metal housing of the connector at each end of the cable. Never run the shield or the drain through the connector on any of the pins.

The following picture shows an example of a cutting table ground bus. The components shown here may differ from your system.



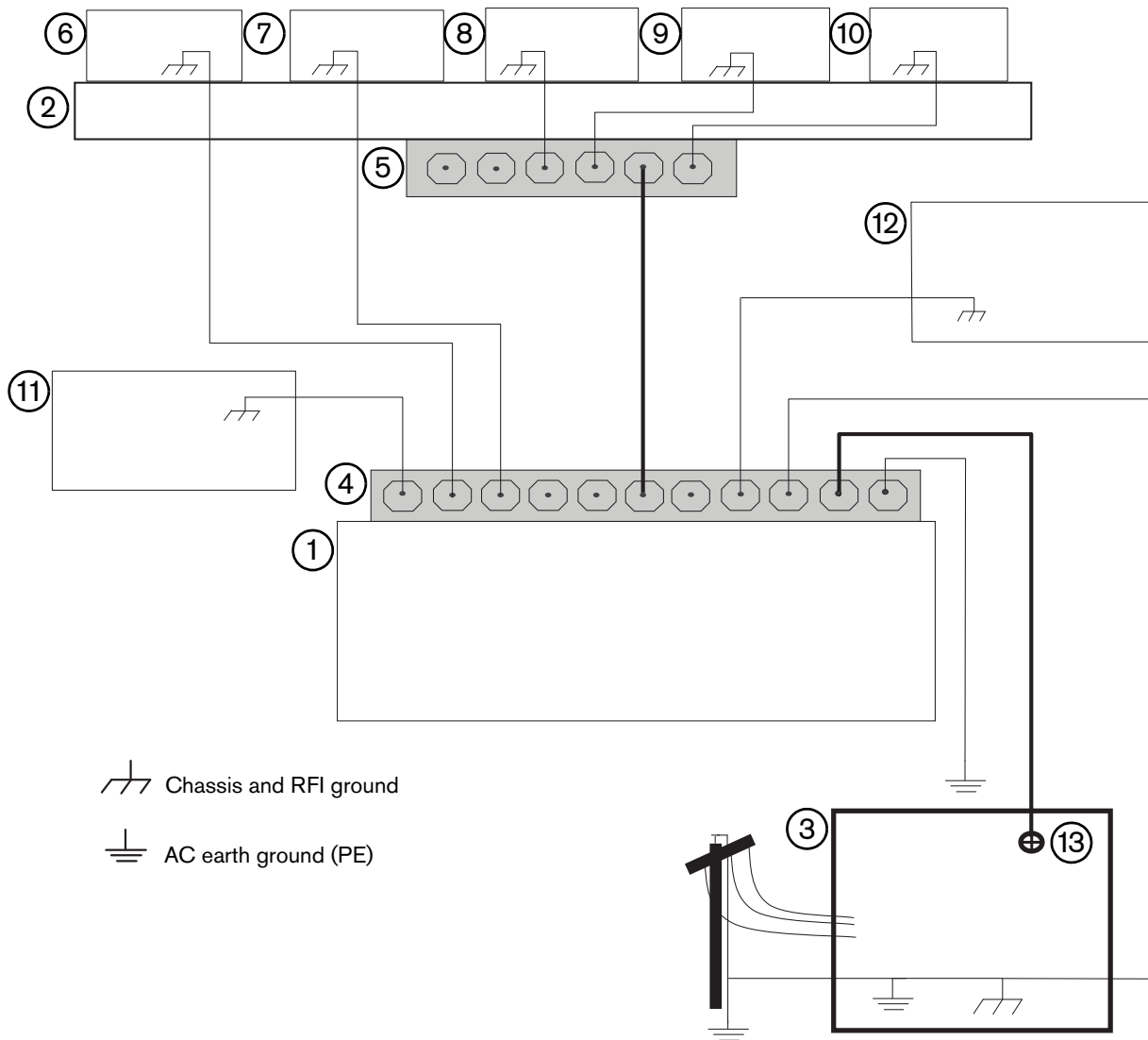
- 1 Gantry ground bus
- 2 Ground rod
- 3 Plasma system lead (+)
- 4 RHF console (if applicable, not on all systems)
- 5 CNC enclosure
- 6 Torch holder
- 7 Plasma system chassis

The following picture shows an example of a gantry ground bus. It is bolted to the gantry, close to the motor. All of the individual ground cables from the components mounted on the gantry connect to the bus. A single heavy cable then connects the gantry ground bus to the table ground bus.



- 1 Cable to the cutting table ground bus
- 2 Ground cables from components on the gantry

## Example grounding diagram



- |   |  |
|---|--|
| <ul style="list-style-type: none"> <li>1 Cutting table</li> <li>2 Gantry</li> <li>3 Plasma system</li> <li>4 Table ground bus bar</li> <li>5 Gantry ground bus bar</li> <li>6 Torch height control lifter (ArcGlide, Sensor THC, Sensor PHC, or other)</li> <li>7 RHF console (not on all systems). Connect to table ground bus bar.</li> </ul> | <ul style="list-style-type: none"> <li>8, 9 System-specific component such as metering console, gas console, or selection console</li> <li>10 CNC chassis</li> <li>11 Torch height control module (ArcGlide, Command THC)</li> <li>12 System-specific component such as a cooler or chiller</li> <li>13 DC power ground</li> </ul> |
|---|--|

**Note:** This example is based on practices in North America. Other regions can have different local or national electrical codes. Hypertherm recommends that you consult your local and national electrical codes to make sure that the grounding and shielding practices that you use satisfy the requirements for your location.

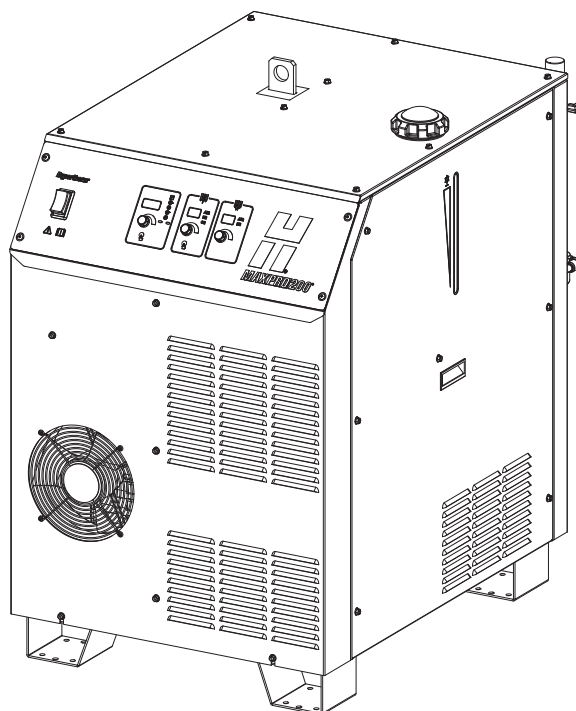


## A Placement of the power supply

		<b>WARNING!</b> <b>ELECTRIC SHOCK CAN KILL</b>
	<p><b>Disconnect electrical power before performing any maintenance. All work requiring the removal of the plasma system cover must be performed by a qualified technician.</b></p> <p><b>See the Safety section of your instruction manual for more safety precautions.</b></p>	

The power supply can be moved by using the lifting eye or by forklift but the forks must be long enough to extend the entire length of the base. Take care when lifting so that the underside of the power supply is not damaged. The forks must also be centered front to back and side to side to prevent tipping while moving. Fork lift speeds should be kept to a minimum, especially when making a turn or going around a corner.

- Place the power supply in an area that is free of excessive moisture, has proper ventilation and is relatively clean. Allow 1 m (3 ft) of space on all sides of the power supply for ventilation and service.
- Cooling air is drawn in through the side panel and is exhausted through the rear of the unit by a cooling fan. Do not place any filter device over the air intake locations, which reduces cooling efficiency and **VOIDS THE WARRANTY.**
- Do not place the power supply on an incline greater than 10° to prevent it from toppling.



### ① Torch lead connections

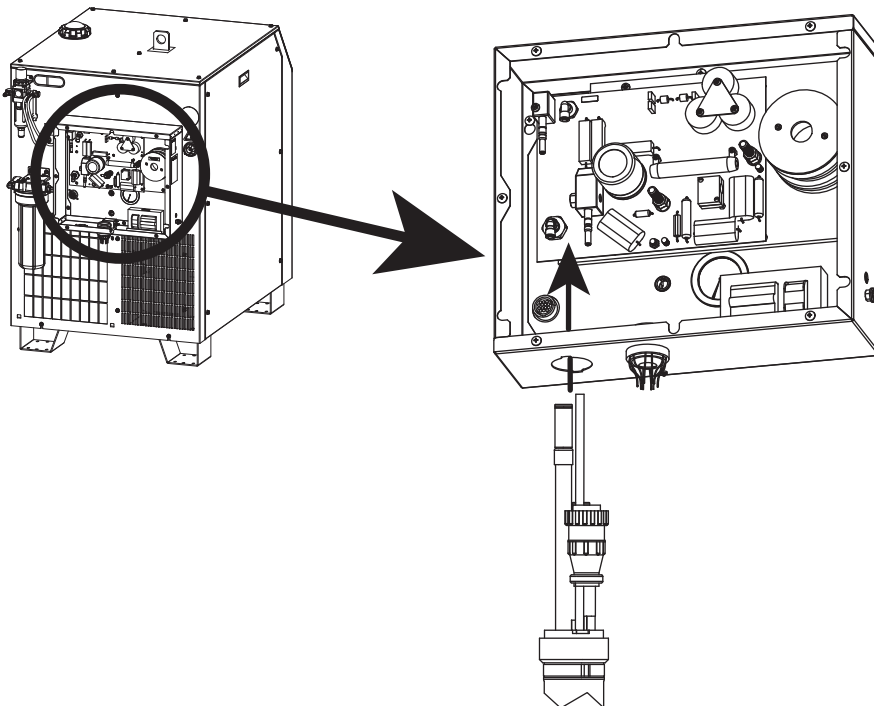
#### Machine torch leads

Part number	Length
229477	7.5 m (25 ft)
229478	15 m (50 ft)
229479	23 m (75 feet)
229480	30 m (100 feet)

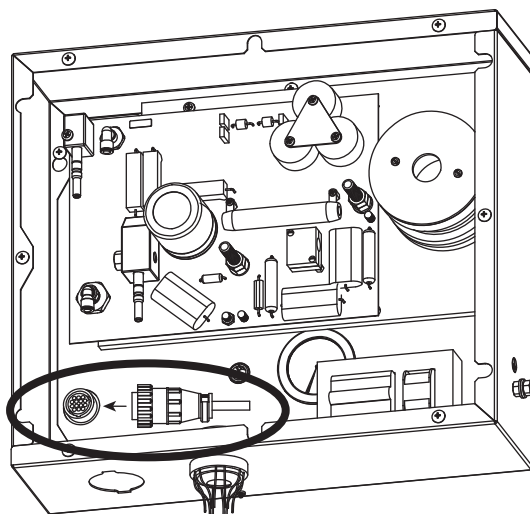
#### Hand torch leads

Part number	Length
229498	7.5 m (25 ft)
229499	15 m (50 ft)
229500	23 m (75 feet)
229501	30 m (100 feet)

1. Insert the end of the torch lead through the opening of the ignition enclosure as shown below. Secure the collar on the torch lead to the ignition enclosure by aligning the tabs on the collar with the corresponding openings in the ignition enclosure, rotate the collar until it stops, and verify that the collar will not detach when released.

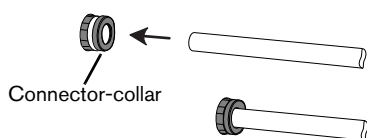


2. Connect the CPC connector to the CPC receptacle



**Note:** The plasma gas and coolant return hose connectors mentioned below are push-to-connect fittings.

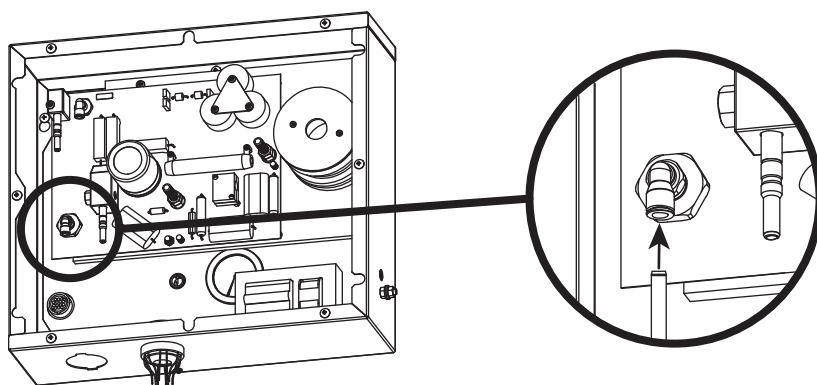
- To make a connection, push the hose fitting into the appropriate connector until it stops, 12 mm (0.472 in).



- To disconnect a fitting, push the connector-collar and hose toward the fitting, hold the collar in place and pull the hose away from the fitting.



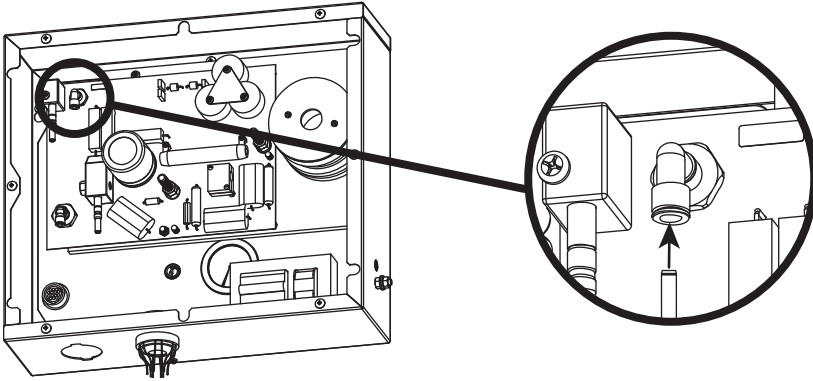
3. Connect the coolant return hose (red).



## Installation

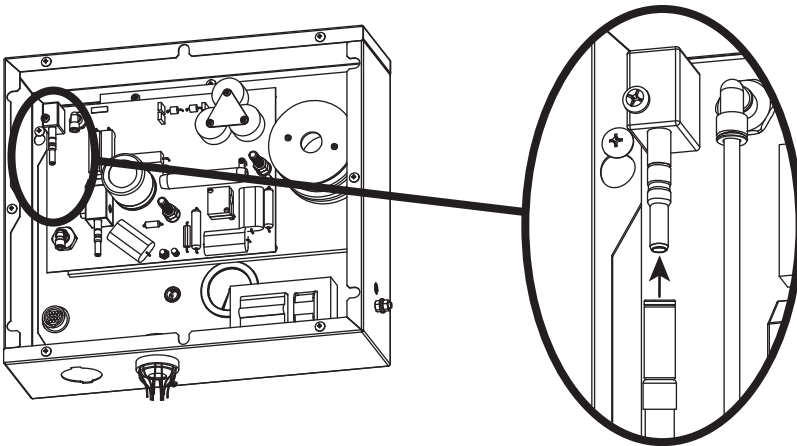
---

4. Connect the plasma gas hose (black).

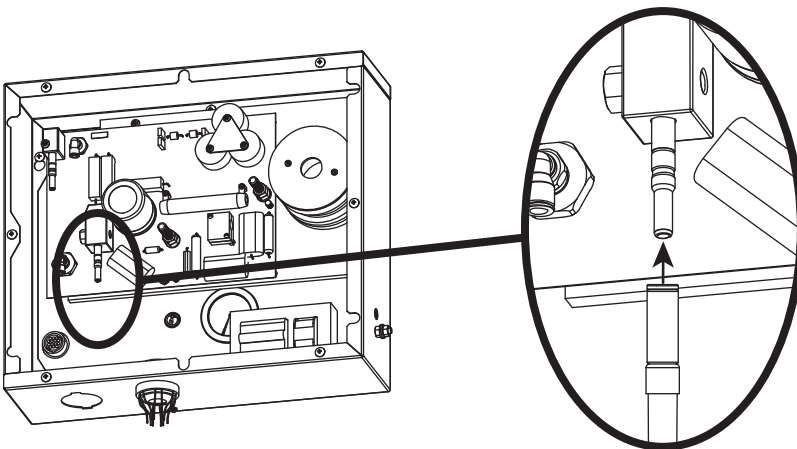


**Note:** The shield gas/pilot arc and coolant supply/negative lead hose connectors mentioned below are slightly different push-to-connect fittings. Slide the hose fitting over the connector and press until it clicks into place. To disconnect a fitting, pull the connector-collar toward the hose, and pull the hose away from the fitting.

5. Connect the pilot arc/shield gas hose (blue).



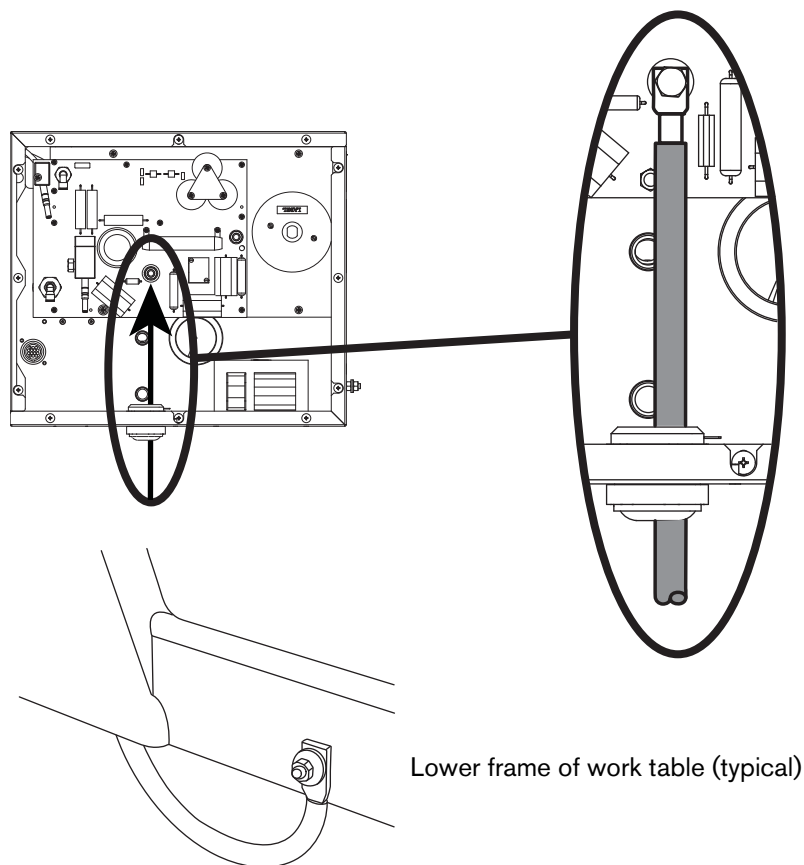
6. Connect the negative lead/coolant supply hose (blue with green tape).



## 2 Work lead connections

Part number	Length
223335	7.5 m (25 ft)
223336	15 m (50 ft)
223337	23 m (75 feet)
223338	30 m (100 feet)

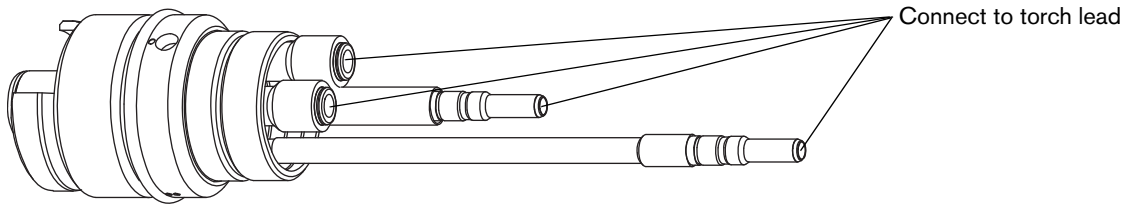
Remove the first nut and washer from the work lead terminal and use it to secure the work lead to the terminal.



### **B** Torch connections

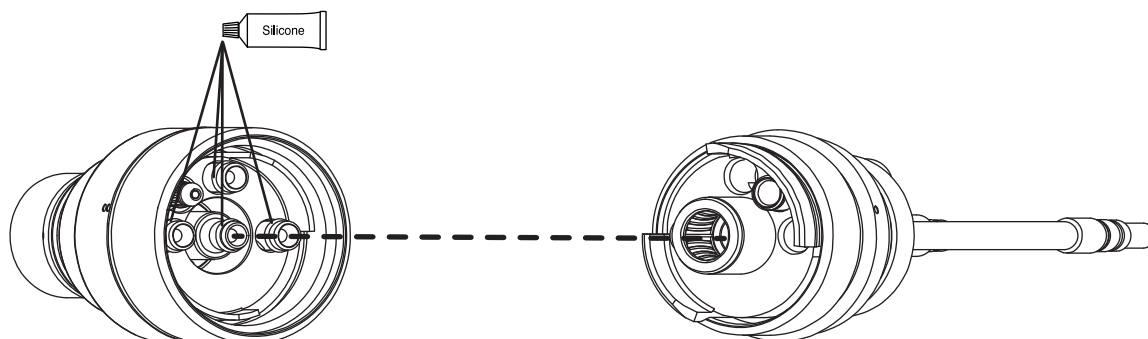
**Note:** The connections between the straight torch main body and the torch leads are identical to the connections between the quick-disconnect receptacle and the torch leads.

Align the quick disconnect receptacle, or the straight torch main body, to the torch leads and secure using the push-to-connect fittings.

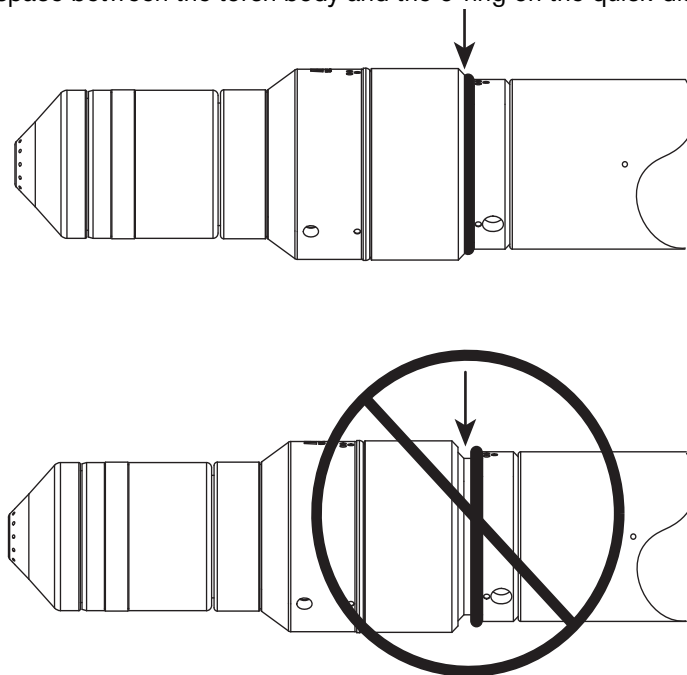


## Connect the torch to the quick-disconnect receptacle

Align the torch body to the quick disconnect receptacle and connect them by screwing completely together. Apply a thin film of silicone lubricant to each o-ring. The o-rings should look shiny, but there should not be any excess or built-up lubricant.

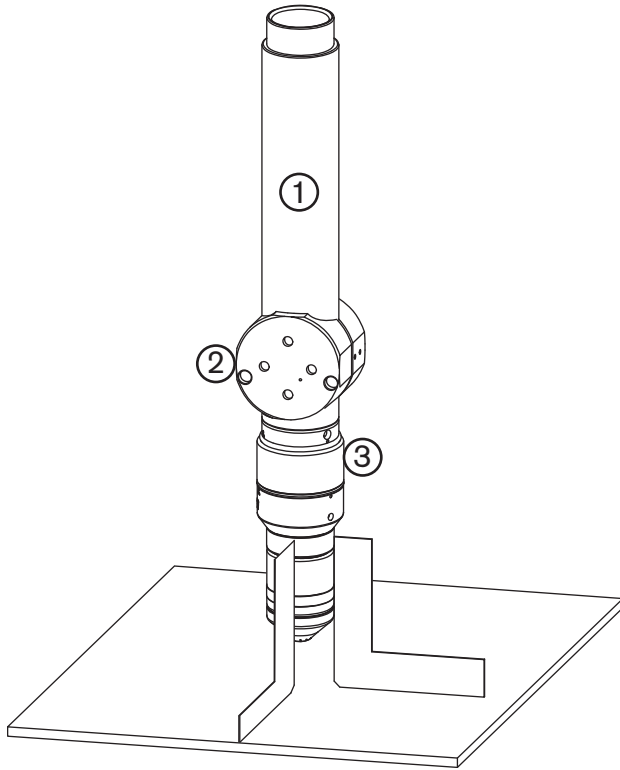


Be certain that there is no space between the torch body and the o-ring on the quick-disconnect.



### Torch mounting and alignment

#### Mounting the torch



1	Torch sleeve
2	Mounting bracket
3	Quick-disconnect receptacle

1. Install the torch (with torch leads attached) in the torch mounting bracket.
2. Position the torch below the mounting bracket, so that the bracket is around the lower portion of the torch sleeve but not touching the torch quick-disconnect.
3. Tighten the securing screws.

**Note:** The bracket should be as low on the torch sleeve as possible to minimize vibration at the tip of the torch.

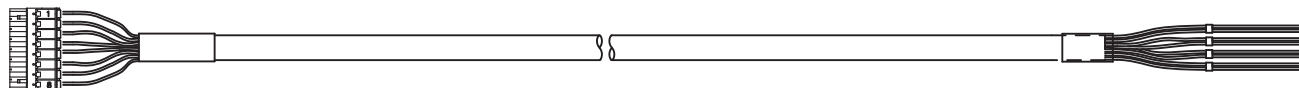
#### Torch alignment

To align the torch at right angles to the workpiece, use a square as shown above.



### 3 CNC interface cable

<u>Part Number</u>	<u>Length</u>	<u>Part Number</u>	<u>Length</u>
223327	1.3 m (5 feet)	223330	15 m (50 feet)
223328	3.0 m (10 feet)	223331	23 m (75 feet)
223329	7.5 m (25 feet)	223332	30 m (100 feet)

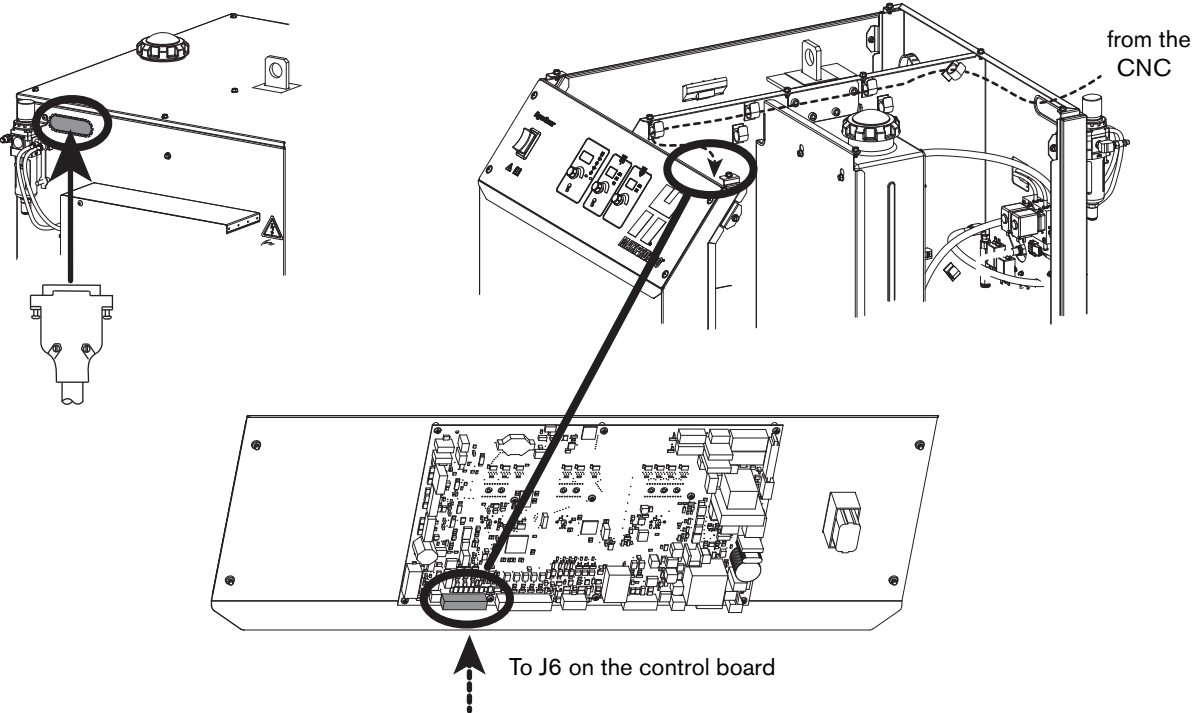


Power supply end						CNC end	
Wire color	Pin number	Input/ Output	Signal name	Function	Input/ Output	Notes	
Orange	1	Input	Start +	The CNC initiates preflow, and if the hold input is not active, continues with the plasma arc. The system will stay in preflow if the hold input remains active.	Output	1	
White	2	Input	Start -		Output		
Brown	3	Input	Hold +	The CNC delays plasma arc initiation. This signal is normally used in combination with the start signal to synchronize multiple torches.	Output	1 and 3	
White	4	input	Hold -		Output		
Black	5	Output	Motion +	Notifies the CNC that an arc transfer has occurred and to begin machine motion once the CNC's pierce delay has timed out.	Input	2	
White	6	Output	Motion -		Input		
Red	7	Output	Error +	Notifies the CNC that an error has occurred.	Input	2	
White	8	Output	Error -		Input		



#### Notes to CNC interface cable run list

1. Inputs are optically isolated. They require 24 VDC at 12.5 mA, or dry-contact closure at 8 mA.
2. Outputs are optically isolated, open-collector, transistors. The maximum rating is 24 VDC at 10 mA.
3. Although the power supply has an output capability, it is normally used solely as an input.
4. There is no +24 VDC power available at the J6 CNC connector.
5. The wire clips on the center panel should be used to help route the CNC cable from the rear panel opening of the power supply to J6 on the control board. Open the clips by depressing the release tab, and add the CNC cable to the wires that are already present in the clip. See the figure on the next page.

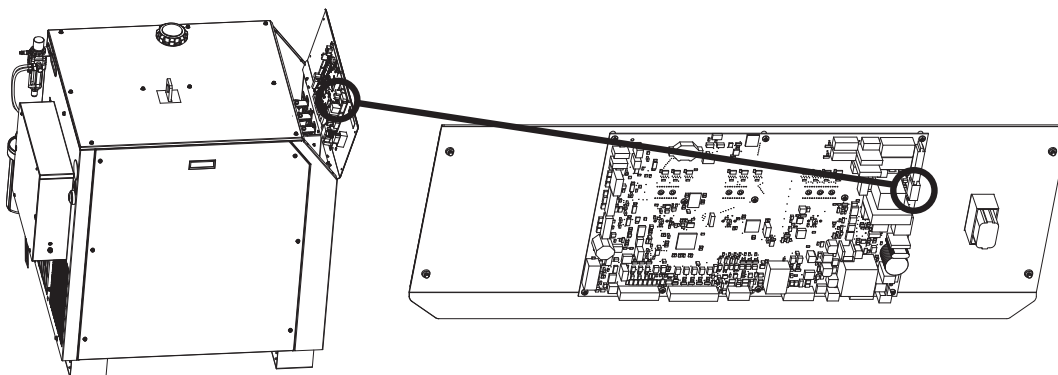
CNC cable routing and connection to control board



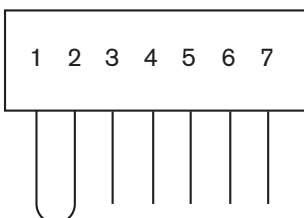
## Remote ON/OFF switch (provided by customer)

		<p><b>WARNING!</b> <b>ELECTRIC SHOCK CAN KILL</b></p>
<p><b>Disconnect electrical power before performing any maintenance. All work requiring the removal of the plasma system cover must be performed by a qualified technician.</b></p> <p><b>See <i>Safety</i> on page 13 of your instruction manual for more safety precautions.</b></p>		

1. Remove the 4 screws that secure the control panel to the power supply and locate terminal block J1.8 on the power supply control board.



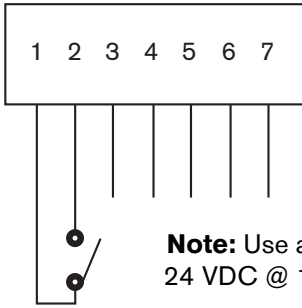
2. Remove the jumper wire between terminal 1 and terminal 2. Use a sturdy tool to depress the corresponding orange release buttons on the spring clamp connector



## Installation

---

3. Connect the switch to terminals 1 and 2 as shown below. Use a sturdy tool to depress the corresponding orange release buttons on the spring clamp connector.



**Note:** Use a switch, relay, or solid-state relay that is compatible with 24 VDC @ 100 mA. Wires should be a twisted pair.

**Note:** The power switch on the power supply must be in the ON position for the remote switch to function and the remote switch must be in the ON position (closed) for the power switch on the power supply to function.

## Power requirements

### General

This equipment complies with IEC 61000-3-12 provided that the short-circuit power  $S_{sc}$  is greater than or equal to 5.61 MVA at the point between the user's supply and the public system. It is the responsibility of the installer or user of the equipment to ensure, by consultation with the distribution network operator if necessary, that the equipment is connected only to a supply with a short-circuit power  $S_{sc}$  greater than or equal to 5.61 MVA.

All switches, slow-blow fuses and power cables are customer-supplied and must be chosen as outlined by applicable national and local electrical codes. Installation must be performed by a licensed electrician. Use a separate, primary, line disconnect switch for the power supply. Recommendations on fuse and circuit breaker sizing are listed below, however actual sizes required will vary based on individual site electrical line conditions (including but not limited to: source impedance, line impedance, and line voltage fluctuation), product inrush characteristics, and regulatory requirements.

The main feed protection device (circuit breaker or fuse) must be sized to handle all branch-feed loads for both inrush and steady-state current. The power supply must be wired into one of the branch-feed circuits. The power supply has a steady-state current listed in the table below.

Use a motor-start circuit breaker or equivalent if time delay high inrush fuses are not permitted by local and national codes. Time delay fuses and circuit breakers must be capable of withstanding inrush current that is up to 30 times the rated input current (FLA) for 0.01 seconds and up to 12 times the rated input current (FLA) for 0.1 seconds.

**Note:** The table below is for reference only. All local and national electrical code must be followed.

Input voltage	Phase	Rated input current @ "X" kW output	Recommended time delay, high inrush, fuse size	Recommended cable size for 15 m (50 feet) maximum length	
				Rated for 60° C (140° F)	Rated for 90° C (194° F)
200/208 VAC	3	108/104 amps	175 amps	N/A	67.5 mm <sup>2</sup> (2/0)
220 VAC	3	98 amps	150 amps	85.2 mm <sup>2</sup> (3/0)	42.4 mm <sup>2</sup> (1 AWG)
240 VAC	3	90 amps	150 amps	85.2 mm <sup>2</sup> (3/0)	42.4 mm <sup>2</sup> (1 AWG)
380 VAC	3	57 amps	90 amps	33.6 mm <sup>2</sup> (2 AWG)	21.2 mm <sup>2</sup> (4 AWG)
400 VAC	3	54 amps	80 amps	26.7 mm <sup>2</sup> (3 AWG)	21.2 mm <sup>2</sup> (4 AWG)
415 VAC	3	52 amps	80 amps	26.7 mm <sup>2</sup> (3 AWG)	21.2 mm <sup>2</sup> (4 AWG)
440 VAC	3	49 amps	80 amps	26.7 mm <sup>2</sup> (3 AWG)	21.2 mm <sup>2</sup> (4 AWG)
480 VAC	3	45 amps	70 amps	21.2 mm <sup>2</sup> (4 AWG)	13.3 mm <sup>2</sup> (6 AWG)
600 VAC	3	36 amps	50 amps	13.3 mm <sup>2</sup> (6 AWG)	8.3 mm <sup>2</sup> (8 AWG)

**Note:** Wire AWG recommendations came from Table 310-16 of the National Electric Code Handbook (USA).

## Installation

---

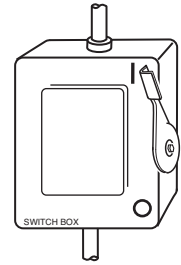
### Line disconnect switch

The line disconnect switch serves as the supply-voltage disconnecting (isolating) device. Install this switch near the power supply for easy access by the operator.

Installation must be performed by a licensed electrician and according to applicable national and local codes.

The switch should:



- Isolate the electrical equipment and disconnect all live conductors from the supply voltage when in the "OFF" position
- Have one "OFF" and one "ON" position clearly marked with "O" (OFF) and "I" (ON)
- Have an external operating handle capable of being locked in the "OFF" position
- Contain a power-operated mechanism that serves as an emergency stop
- Have slow-blow fuses installed for the proper breaking capacity (see table on previous page).



### 7 Main power cable

Wire sizes vary based on the temperature rating of the cable insulation and the distance of the unit from the main box. Use a 4-conductor Type SO input power cable with a conductor temperature rating of 60° C (140° F) or 90° C (194° F). Installation must be performed by a licensed electrician.

## Connect the power

		<p><b>WARNING!</b></p> <p><b>ELECTRIC SHOCK CAN KILL</b></p>
<p><b>The line disconnect switch must be in the OFF position before making the power cable connections. In the U.S., use a “lock-out/tag-out” procedure until installation is complete. In other countries, follow appropriate national and local safety procedures.</b></p>		

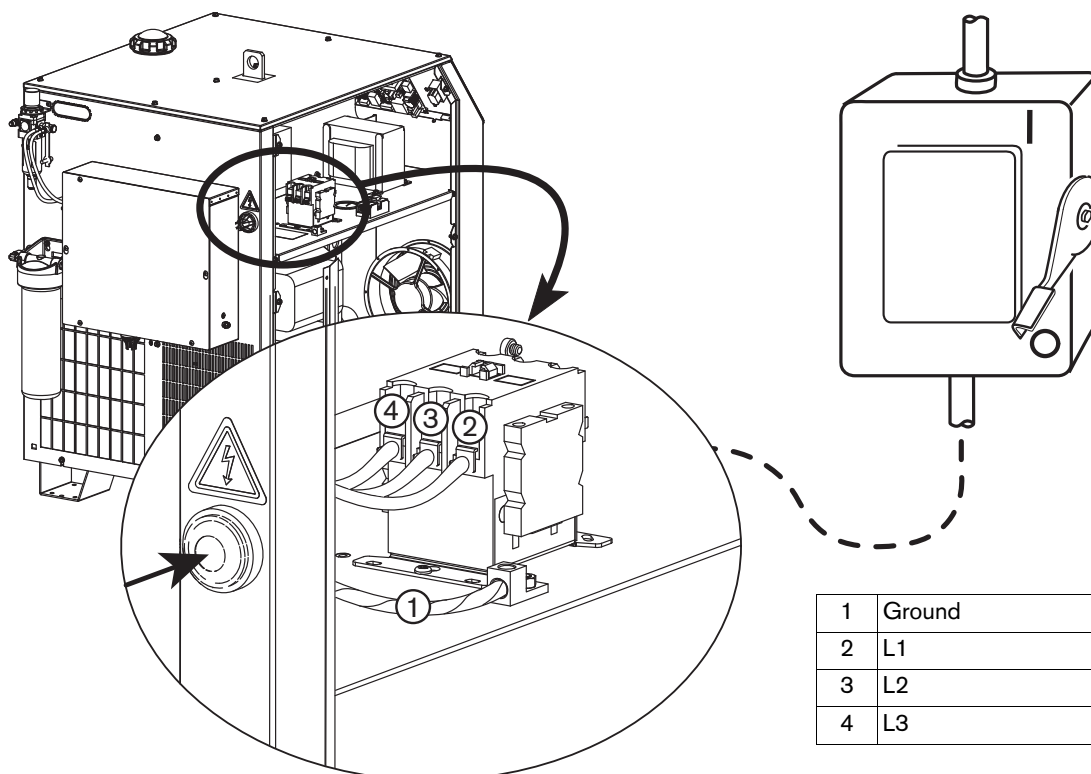
1. Insert the power cable through the strain relief at the rear of the power supply.
2. Connect the ground lead (PE) to the GROUND connector as shown below.
3. Connect the power leads to the contactor terminals as shown below. For models with an EMI filter, connect the power leads to the EMI filter terminal block. Recommended torque on contactor or EMI filter terminals is 7-8 Nm (60–70 in-lbs).
4. **Verify that the line disconnect switch is in the OFF position and remains in the OFF position for the remainder of the installation of the system.**
5. Connect the power cord leads to the line disconnect switch following national and local electrical codes.

### North American wire colors

U = Black  
 V = White  
 W = Red  
 (PE) Earth ground = Green/yellow

### European wire colors



U = Black  
 V = Blue  
 W = Brown  
 (PE) Earth ground = Green/yellow




### Torch coolant requirements

The system is shipped without any coolant in the tank. Before filling the coolant system, determine what coolant mix is correct for your operating conditions.

Observe the warning and cautions below. Refer to the *Material Safety Data Sheets* appendix for data on safety, handling and storage of propylene glycol and benzotriazole.

		<p style="text-align: center;"><b>WARNING!</b></p> <p style="text-align: center;"><b>COOLANT CAN BE IRRITATING TO SKIN AND EYES AND HARMFUL OR FATAL IF SWALLOWED.</b></p>
<p><b>Propylene glycol and benzotriazole are irritating to skin and eyes, and harmful or fatal if swallowed. Upon contact, flush skin or eyes with water. If swallowed, seek immediate medical attention.</b></p>		

	<p style="text-align: center;"><b>CAUTION!</b></p>
<p><b>Never use automotive antifreeze in place of propylene glycol. Antifreeze contains corrosion inhibitors that will damage the torch coolant system.</b></p> <p><b>Always use purified water in the coolant mixture to prevent damage to the pump and corrosion in the torch coolant system.</b></p>	

### Premixed coolant for standard operating temperatures

Use Hypertherm premixed coolant (028872) when operating in a temperature range of -12° C to 40° C (10° F to 104° F). Refer to the custom coolant mix recommendations, if temperatures during operation are ever outside of this range.

Hypertherm premixed coolant consists of 69.8% water, 30% propylene glycol, and 0.2% benzotriazole.



**Custom Coolant mix for cold operating temperatures (below -12° C / 10° F)**



**CAUTION!**

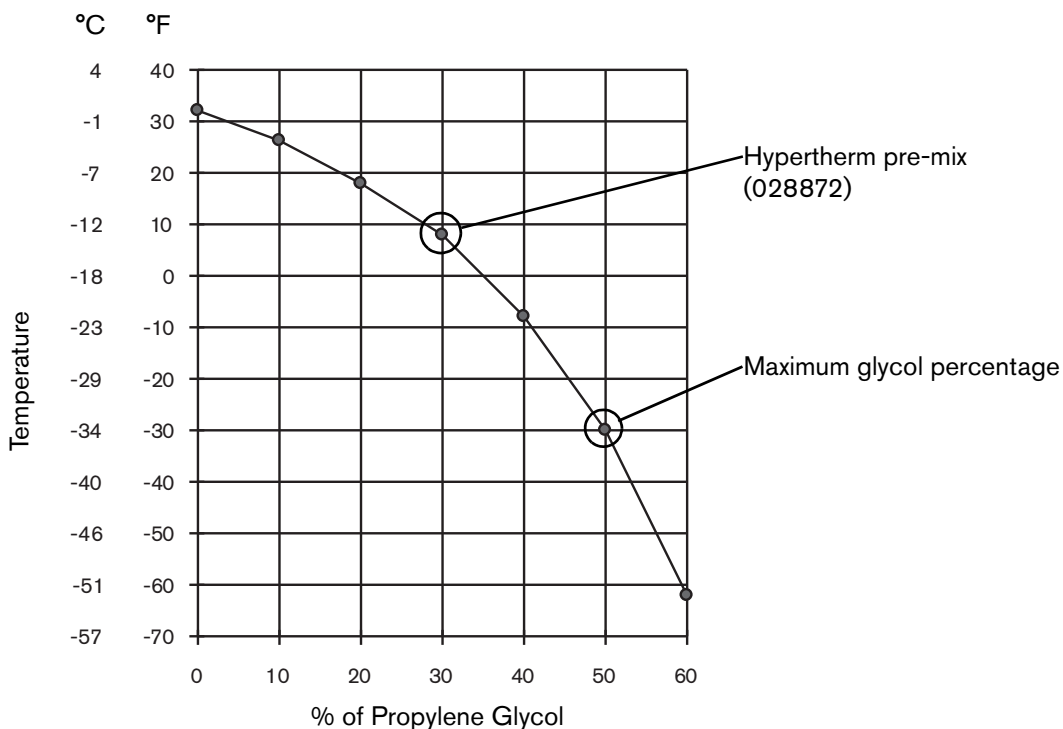
**For operating temperatures colder than the temperature stated above, the percentage of propylene glycol must be increased. Failure to do so could result in a cracked torch head, hoses, or other damage to the torch coolant system due to freezing.**

Use the chart below to determine what percentage of propylene glycol to use in the mixture.

Mix 100% propylene glycol (028873) with the premixed Hypertherm coolant (028872) to increase the percentage of glycol. The 100% glycol solution can also be mixed with purified water (see the chart below for water purity requirements) to achieve the required protection from freezing.

**Note:** The maximum percentage of propylene glycol should never exceed 50%.

**Freezing Point of Propylene Glycol Solution**



## Installation

---

### Custom Coolant mix for hot operating temperatures (above 38° C / 100° F)

Treated water (with no propylene glycol) can only be used as coolant when operating temperatures are **never** below 0° C (32° F). For operations in very warm temperatures, treated water will provide the best cooling properties.

Treated water refers to a mixture of purified water, that meets the specifications below, and 1 part benzotriazole (BZT) to 300 parts of water. BZT (128020) acts as a corrosion inhibitor for the copper based coolant system contained in the plasma system.

### Water purity requirements

It is critical to maintain a low level of calcium carbonate in the coolant to avoid reduced performance of the torch or cooling system.

Always use water that meets the minimum and maximum specifications in the table below when using a custom coolant mix.

Water that does not meet the minimum purity specifications below can cause excessive deposits on the nozzle that will alter the water flow and produce an unstable arc.

Water that does not meet the maximum purity specifications below can also cause problems. Deionized water that is too pure will cause leaching problems with the coolant system plumbing.

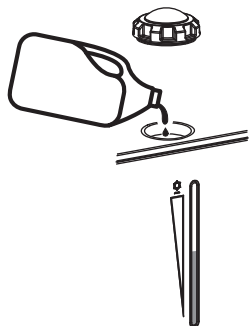
Use water purified by any method (deionization, reverse osmosis, sand filters, water softeners, etc.) as long as the water purity meets the specifications in the table below. Contact a water specialist for advice in choosing a water filtration system.

<b>Water purity measurement method</b>				
Water purity	Conductivity μS/cm at 25° C (77° F)	Resistivity mΩ-cm at 25° C (77° F)	Dissolved solids (ppm of NaCl)	Grains per gallon (gpg of CaCO <sub>2</sub> )
Pure water (for reference only)	0.055	18.3	0	0
Maximum purity	0.5	2	0.206	0.010
Minimum purity	18	0.054	8.5	0.43
Maximum potable water (for reference only)	1000	0.001	495	25

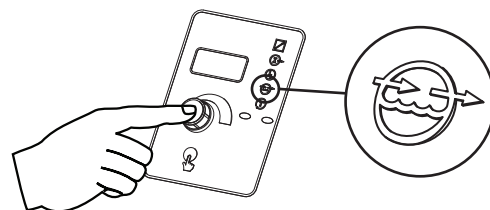
## Fill the power supply with coolant

The system will take 14.2 liters to 17.0 liters (3.75 to 4.5 gallons) of coolant depending on the length of the torch leads.

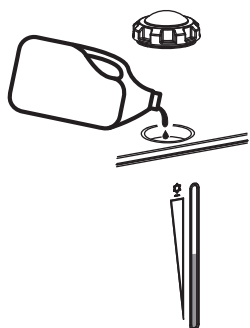
1. Add coolant to the power supply until the tank is full.



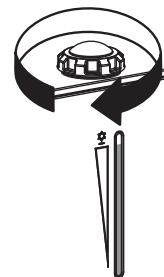
2. Turn ON the power supply, then press and release the amps selector knob as many times as needed until the flow symbol is selected. The flow rate will be shown in the three digit display. There is a 45 second delay before the system will report a low coolant flow error. If the flow rate has not reached 1.9 liters per minute (lpm) (0.5 gallons per minute [gpm]) the system will turn off the pump.



3. If the system displays an error, turn OFF the power to the system and add coolant to the tank until it is full again. Repeat steps 2 and 3 until no error is displayed.



4. Add coolant to the power supply until the tank is full and replace the filler cap.

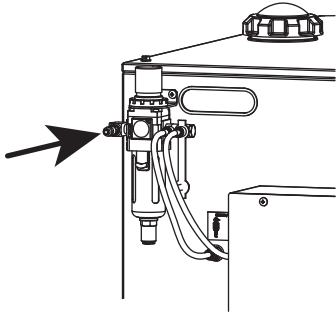


### Connect the supply gases

#### Air/air cutting

**Note:** Verify that the plasma gas line and the shield gas line are properly connected before connecting the air supply hose and supplying pressurized gas to the system.

Connect the air supply hose to the filter regulator as shown below.

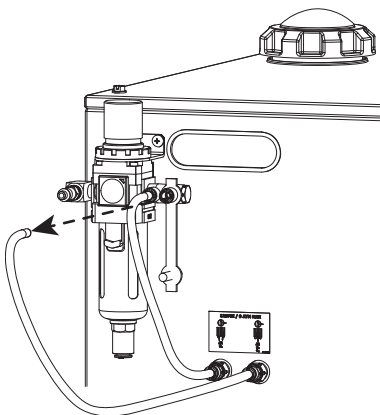


#### N<sub>2</sub>/N<sub>2</sub> supply gas connection

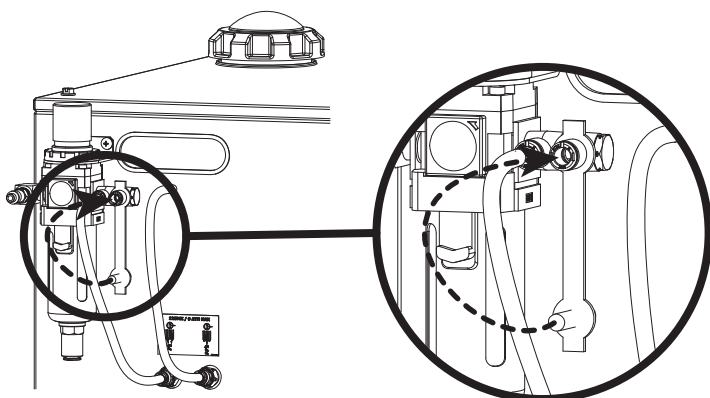
1. Disconnect the air supply hose from the filter regulator.
2. Remove the Air fitting 015012 (1/4 inch NPT X #6 MALE) from the filter/regulator.
  - a. Install an 015103 adaptor to use the nitrogen supply gas hose offered by Hypertherm.
  - b. Use the 1/4 inch NPT Female port from which the air fitting was removed to connect a user supplied N<sub>2</sub> supply gas hose.
3. Set the gas pressure regulators. See *Setting the supply gas regulators* on page 72.

#### O<sub>2</sub>/Air Supply gas hook up

1. Disconnect the air supply from the system.
2. Remove the plasma supply tube from filter/regulator output port.



- Use the supplied plug to block the open plasma outlet port of the filter/regulator.

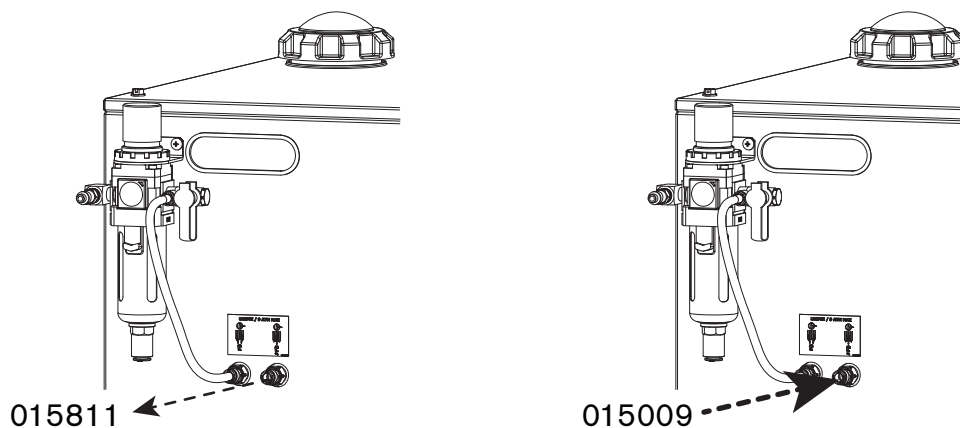


- Connect only filtered and regulated oxygen to the plasma gas Inlet. See *Gas regulators* on page 73 for a suitable oxygen regulator.

**Note:** An oxygen fitting kit (428054) with the parts described below is available from Hypertherm.

There are several options for connecting the oxygen supply gas line:

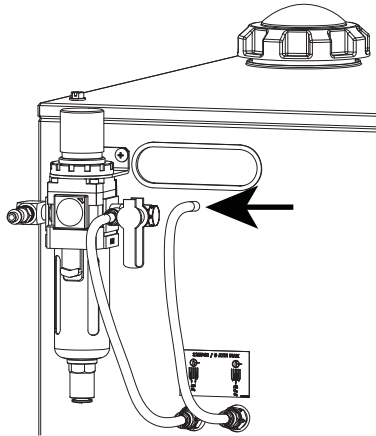
- Remove the 015811 fitting and put on an 015009 fitting (user must order the part. See the note above). Use the correct Hypertherm supply gas tubing (046231) to connect to the fitting.



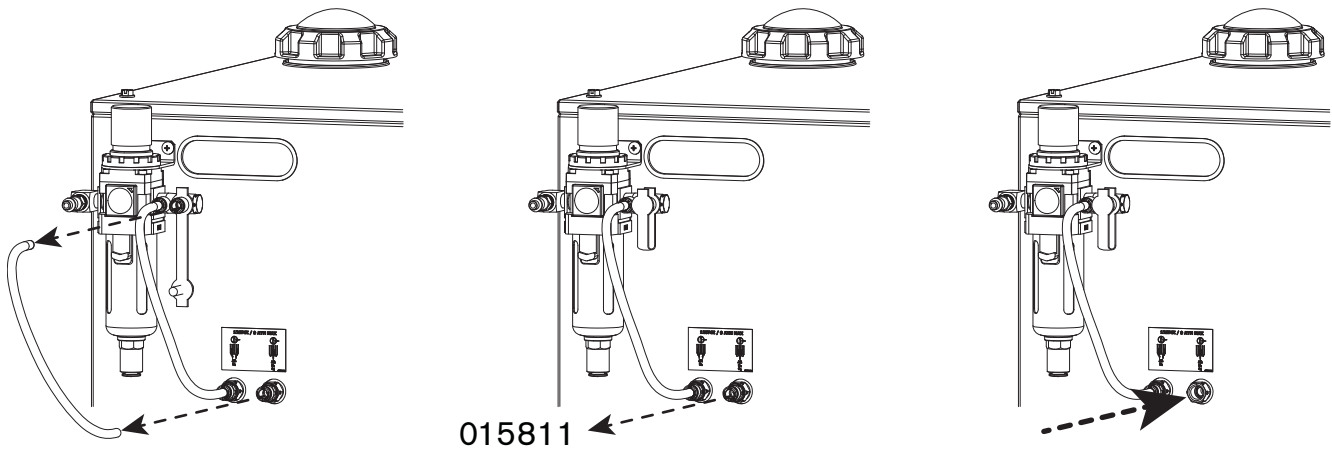
## Installation

---

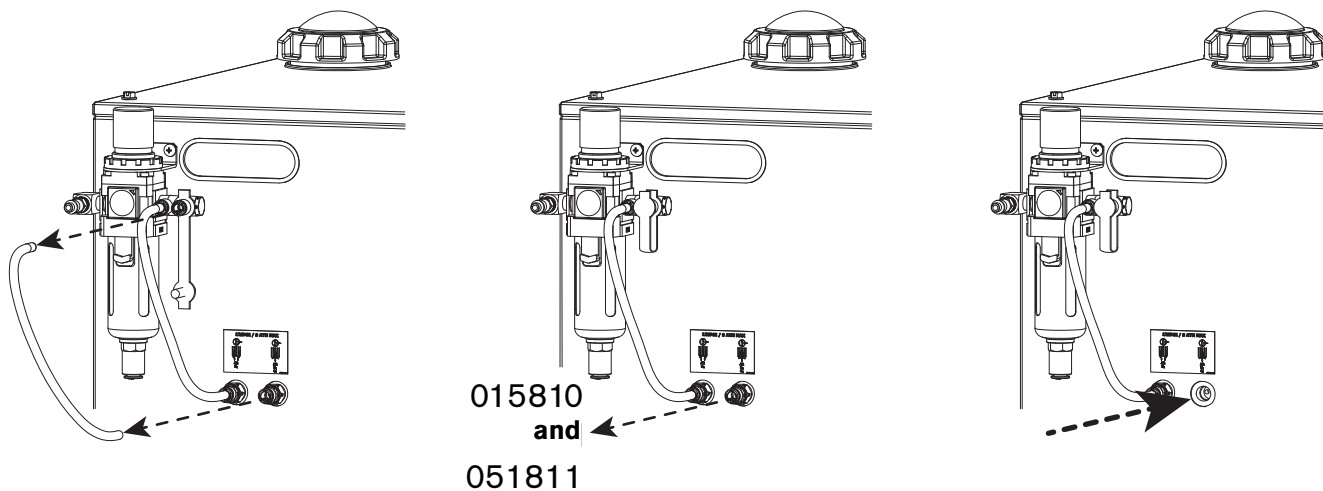
- b. Use a suitable O<sub>2</sub> fitting to connect to the 8 mm (5/16 inch) tubing that you removed from the plasma gas Inlet.



- c. Remove the plasma gas tubing and 8 mm (5/16 inch) fitting (015811) and connect to the 1/4 inch NPT female threads.



- d. Remove the bushing and fitting to connect to 1/4 inch "G" female threads.



5. Reconnect the air supply.  
6. Set the gas pressure regulators. See *Setting the supply gas regulators* on page 72.

### Gas requirements

The system is configured for air/air cutting when it is shipped. Connect an air supply to the filter/regulator that is mounted on the rear panel of the power supply. If cutting with O<sub>2</sub>/air or N<sub>2</sub>/N<sub>2</sub> you will have to make changes to the gas connections. See *Connect the supply gases* on page 68.



#### CAUTION!

**Gas supply pressures not within the specifications in Section 2 can cause poor cut quality, poor consumable life, and operational problems.**

**If the purity level of the gas is too low, or if there are leaks in the supply hoses or connections:**

- **Cut speeds can decrease**
- **Cut quality can deteriorate**
- **Cutting thickness capability can decrease**
- **Parts life can shorten**

### Setting the supply gas regulators

1. Turn OFF the power to the system. Set all the supply gas regulator pressures to 6.2 bar (90 psi).
2. Turn ON the power to the system.
3. After the purge cycle is complete, press the current selection knob to get to the test mode. When the test mode icon is illuminated, turn the knob to get to test 005, "Flow gas at full pressure". Set all supply regulators to a system inlet pressure of 6.2 bar (90 psi).
4. Press and release the current selection knob until the amps icon is illuminated.



## Gas regulators

The installer or user must supply the gas regulator (regulators) for the cutting system.

It is important to choose the correct gas regulator (regulators) for the conditions at the installation site. A gas regulator must be compatible with the gases used and appropriate for the environmental conditions. For example, certain regulators are recommended for specific temperature ranges. The type of gas (cylinder gas, line gas, or liquefied gas), and the gas-delivery pressure and flow, can also influence regulator selection.

### Single-stage gas regulation

- Reduces source gas pressure to the necessary delivery pressure in 1 step.
- Delivery pressure is **not** tightly controlled with this type of gas regulation.
- Good choice for generic applications and where fluctuations in source gas pressure are small.

### Dual-stage gas regulations

- Reduces source gas pressure to the necessary delivery pressure in 2 steps. Dual-stage regulation uses 2 single-stage regulators. The first regulator reduces the pressure to approximately 3 times the maximum delivery pressure. The second regulator reduces pressure to the necessary delivery pressure.
- Good choice for applications that require consistent delivery pressure and where fluctuations in source gas pressure are large.
- Dual-stage gas regulation can restrict gas flow and give bad results if the choice of regulator is bad or if the regulator settings are not correct.

Your gas supplier can recommend the best gas regulator (regulators) for the conditions at your site.

## Installation

The high-quality gas regulators listed below are available from Hypertherm and meet U.S. Compressed Gas Association (CGA) specifications. In other countries, select gas regulators that conform to national or local codes.

**Note:** A separate gas regulator is needed only when cutting with oxygen.

**2-stage regulator**



**1-stage regulator**




Part number	Description
128544	Kit: Oxygen 2-stage regulator*
128548	Kit: Oxygen 1-stage regulator (for use with cryogenic liquid nitrogen or oxygen)
022037	2-stage oxygen regulator
* Kit includes the 2-stage regulator (022037) and the appropriate fittings	

## Supply gas plumbing


- Rigid copper plumbing or suitable flexible hose may be used for all gas supplies.
- Do not use steel, black iron, or aluminum pipe.
- After installation, pressurize the entire system and check for leaks.
- Recommended hose diameters are 9.5 mm (3/8 in) for lengths < 23 m (75 ft) and 12.5 mm (1/2 in) for lengths > 23 m (75 ft).

For flexible-hose systems, use a hose designed for inert gas to carry air or nitrogen. See *Supply gas hoses* on page 76 for part numbers.

	<b>Caution: Never use PTFE tape</b>
---	-------------------------------------

	<b>Caution: When connecting oxygen to the power supply, make sure that all hoses, hose connections, and fittings are acceptable for use with oxygen. Installation must be made in accordance with national and local codes.</b>
---	---

**Note:** When cutting with oxygen as the plasma gas, air must also be connected to the filter regulator.

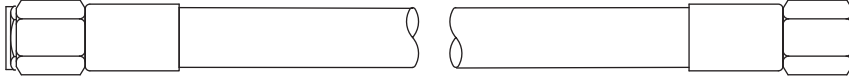
	<b>WARNING!</b> <b>CUTTING WITH OXYGEN CAN CAUSE FIRE OR EXPLOSION</b>
<p>Cutting with oxygen as the plasma gas can cause a potential fire hazard due to the oxygen-enriched atmosphere that it creates. As a precaution, Hypertherm recommends that an exhaust ventilation system be installed when cutting with oxygen.</p> <p>Flashback arrestors are required (unless not available for specific gases or required pressures) to prevent fire from propagating back to supply gas.</p>	

## Supply gas hoses



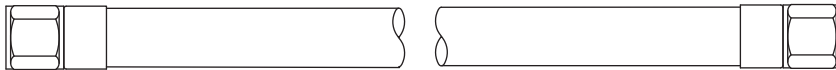
**Caution: Never use PTFE tape**

### 4 Air



Part number	Length	Part number	Length
024671	3 m (10 ft)	024740	25 m (82 ft)
024658	4.5 m (15 ft)	024744	35 m (115 ft)
024659	7.5 m (25 ft)	024678	45 m (150 ft)
024765	10 m (35 ft)	024680	60 m (200 ft)
024660	15 m (50 ft)	024767	75 m (250 ft)
024766	20 m (65 ft)		

### 5 Oxygen



Part number	Length	Part number	Length
024607	3 m (10 ft)	024738	25 m (82 ft)
024204	4.5 m (15 ft)	024450	35 m (115 ft)
024205	7.5 m (25 ft)	024159	45 m (150 ft)
024760	10 m (35 ft)	024333	60 m (200 ft)
024155	15 m (50 ft)	024762	75 m (250 ft)
024761	20 m (65 ft)		



### 6 Nitrogen



Part number	Length	Part number	Length
024210	3 m (10 ft)	024739	25 m (82 ft)
024203	4.5 m (15 ft)	024451	35 m (115 ft)
024134	7.5 m (25 ft)	024120	45 m (150 ft)
024211	10 m (35 ft)	024124	60 m (200 ft)
024112	15 m (50 ft)	024764	75 m (250 ft)
024763	20 m (65 ft)		

### Daily start-up

Before turning on the power to the system make sure that the cutting environment and clothing worn by users in that environment meet all the safety requirements outlined in *Safety* on page 13.

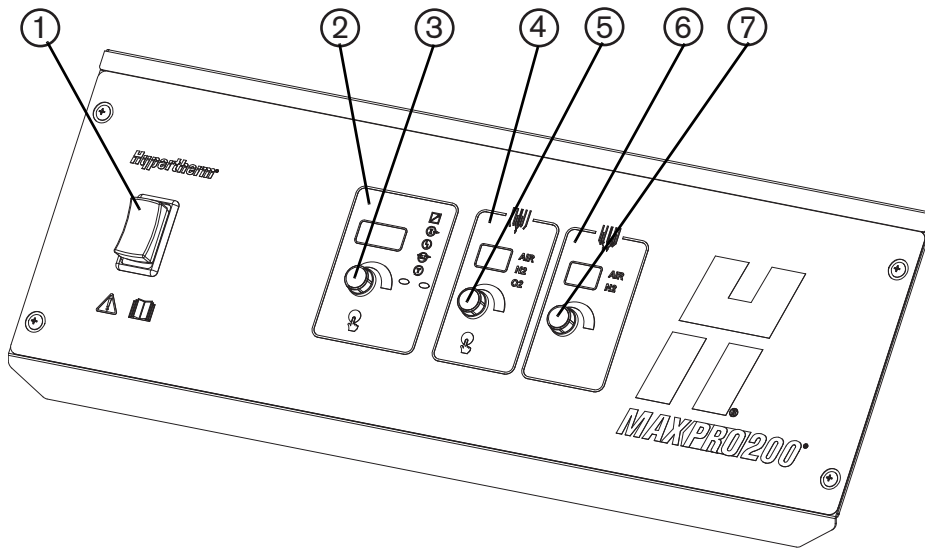
		<p><b>DANGER!</b></p> <p><b>ELECTRIC SHOCK CAN KILL</b></p>
<p><b>Before operating this system, you must read the safety section thoroughly. Turn OFF the power supply's main disconnect switch before proceeding with the following steps.</b></p>		

1. Turn OFF the main disconnect switch to the power supply.
2. Remove the consumables from the torch and check for worn or damaged parts. **Always place the consumables on a clean, dry, oil-free surface after removing. Dirty consumables can cause the torch to malfunction and can shorten the life of the coolant pump.**
  - See *Install and inspect consumables* on page 92 for details.
  - Refer to Cut charts to choose the correct consumables for your cutting needs.
3. Replace consumable parts. See *Install and inspect consumables* on page 92 for details.
4. Make sure that the torch is perpendicular to the workpiece.



1	Shield	4	Swirl ring
2	Nozzle retaining cap	5	Electrode
3	Nozzle	6	Torch main body (quick-disconnect torch shown)

## Controls and indicators



### Control panel descriptions

1	Power switch
2	3-digit display area
3	Current selection knob
4	2-digit plasma display area
5	Plasma gas knob
6	2-digit shield display area
7	Shield gas knob

---

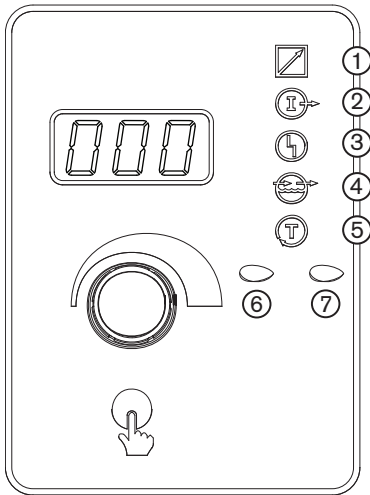
## Power supply operation

### General

- The system runs a number of tests automatically when the system is turned ON. See *Automatic chopper and current sensor tests during power-up* on page 154.
- There is power to the control board and other non-high power components when the main disconnect switch is on, even if the switch on the Power Supply is off. The switch is illuminated to indicate that there is power to the system. Non-high power components include the low power control circuitry in the chopper, but not the high-power IGBTs which are switched by the contactor.
- The 3-digit display counts from 1 to 6 to indicate the 6 second purge that occurs when you turn ON the power supply (you will only actually see 1 thru 5). If the system is powered up with the start signal on, the 3-digit display will continue to count up to 98.
- When you turn ON the power to the system the displays shows the last process used.
- The user can lock out all inputs (current, plasma gas, and shield gas) to the system by pressing and holding both the amps and shield gas control knobs until LOC appears in the 3-digit display. The same process unlocks the system and ULC appears in the 3-digit display. The user can still cycle through the functions in the 3-digit display area (current, fault, coolant flow, and test).
- All three displays show actual values during cutting. The user can make changes to the current, the plasma gas, and the shield gas settings unless the inputs have been locked out or the system is being controlled remotely. The displays show the set values when idle.
- A blinking red dot appears in the bottom right corner of each display when the parameters have been changed from the default setting.

## 3-digit display functions

Turn the current selection knob to increase or decrease the amperage. Push and release the current selection knob to move from one function to the next.



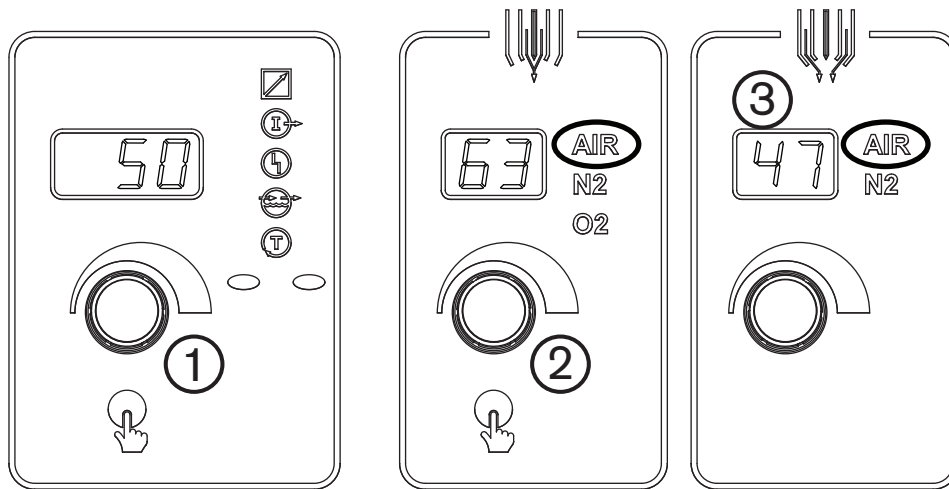
3-digit display icons	
Name	Description
1 Remote	The remote icon illuminates when there is serial communication with the power supply. You can still cycle through the functions but cut parameters can only be changed through the CNC.
2 Amps	Increase or decrease the amperage by selecting the amps icon and turning the knob. The current increases or decreases in 1 amp increments when you turn the knob slowly. You can jump from one process amperage to another when you turn the knob quickly.
3 Fault	<p>The fault icon illuminates when an error occurs.</p> <p>If the error code number is 60 or less, press the current selection knob to navigate to the illuminated fault icon. When the fault icon is selected the error code appears in the 3-digit display.</p> <p>If the error code is 60 or greater the system automatically selects the fault icon and the error code number flashes in the 3-digit display.</p> <p>Press and hold the current selection knob to see the power supply status number for both types of error code.</p>
4 Coolant flow	When the coolant flow icon is selected the display shows the coolant flow in gallons per minute. When you turn ON the power to the system and select the coolant flow icon before the power supply finishes the purge count, the flow switch is overridden and coolant will continue to flow for 30 seconds.
5 Test	When test icon is selected the system is in test mode. A number of functions can be accessed by turning the current selection knob. See the maintenance section for detailed information.
6 Plasma start lamp	This white lamp illuminates when the plasma start signal is given and stays illuminated until the start signal is removed.
7 Arc transfer lamp	This green lamp illuminates when the arc transfers to the workpiece.





## Choosing a cutting process

1. Use the current selection knob to set the amperage. Turning the knob slowly increases or decreases the current 1 amp at a time. Turning the knob fast lets you jump quickly to the next process current (50A, 130A, and 200A). A blinking red dot appears in the bottom right corner of each display when the parameters have been changed from the default setting. You can return to the default setting by pressing and releasing the knob until you return to the original selection.
2. Push and release the plasma gas knob to cycle through the plasma gas selections. The pressure will automatically be set when you choose a gas. Turning the knob increases or decreases the pressure. A blinking red dot appears in the bottom right corner of each display when the parameters have been changed from the default setting. You can return to the default setting by pressing and releasing the knob until you return to the original gas selection.
3. The shield gas pressure is set automatically when you choose a plasma gas. Turning the knob increases or decreases the pressure. A blinking red dot appears in the bottom right corner of each display when the parameters have been changed from the default setting. You can return to the default setting by pressing and releasing the knob until you return to the original gas selection.

**Note:** The example shown below is the 50 amp, mild steel, air/air process. See the cut chart for details.



		<p style="text-align: center;"><b>CAUTION!</b></p> <p><b>SPARKS AND HOT METAL CAN INJURE EYES AND BURN SKIN.</b> When firing the torch, sparks and hot metal will spray out from the nozzle. Point the torch away from yourself and others. Always use the proper protective equipment. See <i>Safety</i> on page 13 for more information.</p>
---	---	--

## Handheld cutting

### Specifications

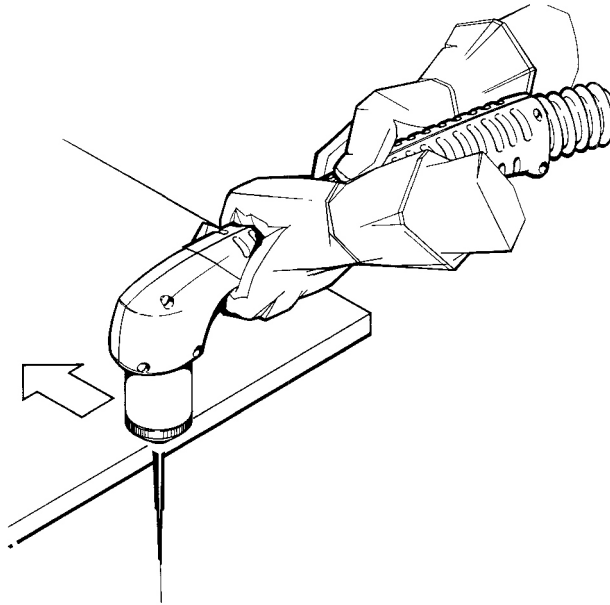
<b>Materials</b>	Mild steel, stainless steel, and aluminum
<b>Current</b>	50A, 130A, and 200A
<b>Plasma gas types</b>	Air, O <sub>2</sub> , N <sub>2</sub>
<b>Shield gas types</b>	Air, N <sub>2</sub>
<b>Torch weight (without lead)</b>	See <i>Specifications</i> on page 29

### Consumable selection and gas settings

Refer to *Cutting parameters* on page 88 for consumable and process information.

### Starting a cut

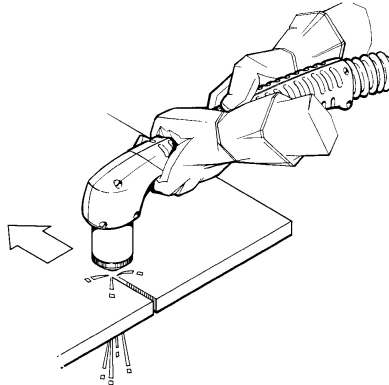
1. Start cutting from the edge of the workpiece (see figure below) unless you must pierce. For the best results, the nozzle orifice should overlap the edge of the workpiece about halfway, and the torch (arc) axis should be perpendicular to the cut surface.



**Note:** When cutting, make sure that the sparks are coming out of the bottom of the workpiece. If they are spraying on top of the workpiece, you are moving the torch too fast, or you do not have sufficient power to fully penetrate the workpiece.

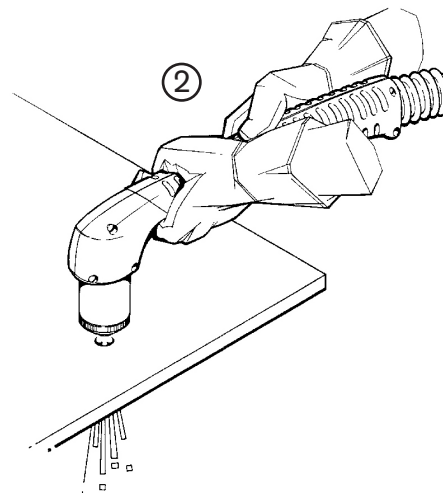
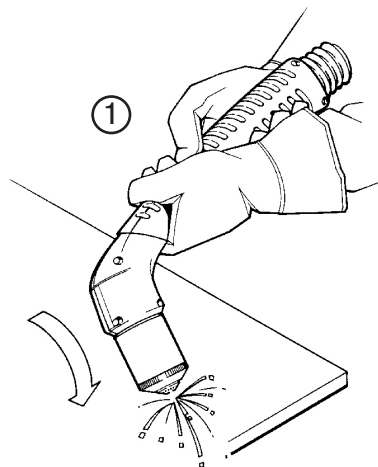
2. Hold the torch lightly on the metal or just off the metal and drag the torch across the metal. The arc transfers once the torch is within 6 mm (1/4 inch) of the workpiece.

3. Pull the torch through the cut. Pulling it is easier than pushing it.
4. Hold the torch so the arc is vertical and watch the arc as it cuts along the line (see figure below). By lightly dragging the shield on the workpiece, you can maintain a steady cut. For straight-line cuts, use any straight edge as a guide.



### Piercing

1. Start by holding the torch so that the shield is approximately 1.5 mm (1/16 inch) away from the workpiece before squeezing the trigger switch. This method maximizes the life of the consumables. See figures below.
2. Hold the torch at about a 45° angle to the workpiece pointing away from yourself, then slowly roll it to a vertical position. This is particularly important when cutting thicker material. Make sure that the torch is pointed away from you and the people around you to avoid any danger from sparks and hot metal. Starting the pierce at an angle permits the hot metal to escape to one side rather than splashing back against the shield, protecting the operator from the sparks and extending the life of the shield.
3. When the pierce is complete, proceed with the cut.



### Gouging

#### Specifications

<b>Materials</b>	Mild steel, stainless steel, and aluminum
<b>Current</b>	200 Amps
<b>Plasma gas types</b>	Air, O <sub>2</sub>
<b>Shield gas types</b>	Air
<b>Torch weight (without lead)</b>	See the Specification section

#### Gouging safety

When gouging, it is absolutely necessary to wear full protection:

- A welding helmet with at least a #12 glass
- Welding gloves and a welding jacket.
- A heat shield (127389) can be purchased for further protection.

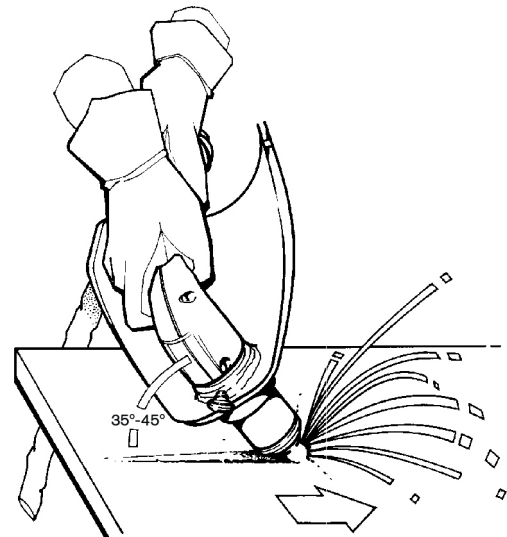
#### Gouge a workpiece

**Note: To choose the correct consumables see**

*Hand held cutting and gouging consumable selection on page 89.*

1. Hold the torch so that the torch tip is within 1.5 mm (1/16 inch) from the workpiece before firing the torch.
2. Hold the torch at a 45° angle to the workpiece with a small gap between the torch tip and the workpiece. Press the trigger to obtain a pilot arc. Transfer the arc to the work piece.
3. Maintain an approximate 45° angle to the workpiece as you feed into the gouge. Push the plasma arc in the direction of the gouge you want to create. Keep a small distance between the torch tip and the molten metal to avoid reducing consumable life or damaging the torch.

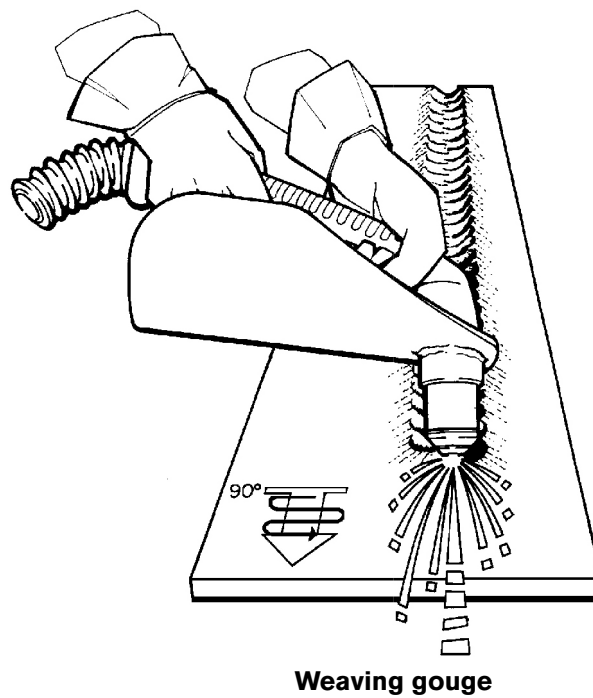
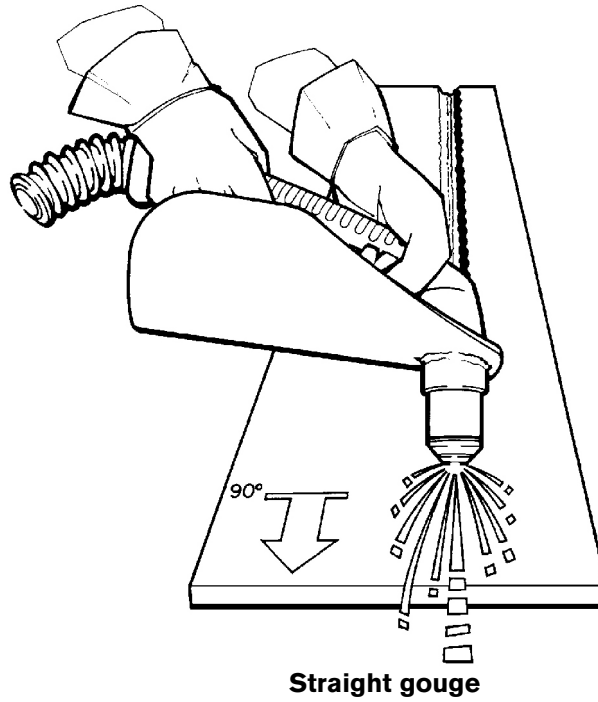
**Note:** Changing the torch's angle changes the dimensions of the gouge.



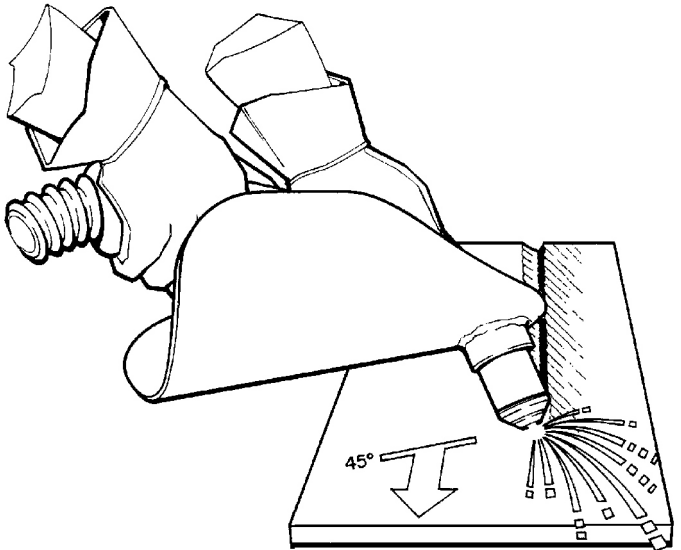
**Feeding into the gouge**

## Gouging techniques

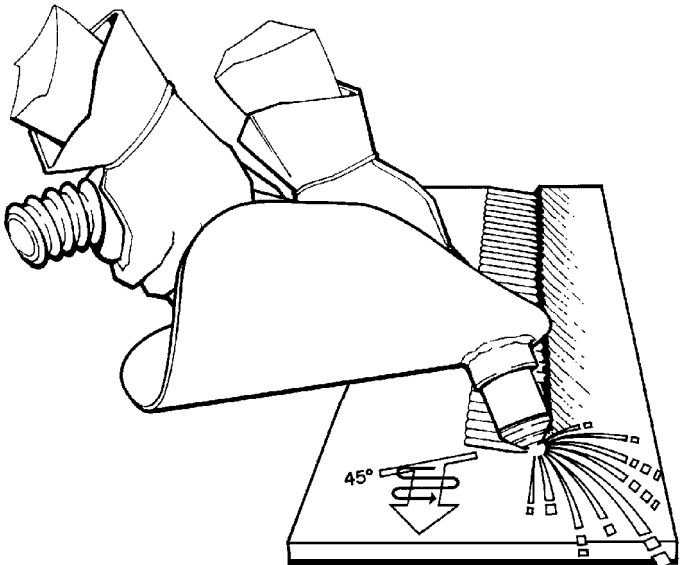
### Straight gouging



**Side gouging**

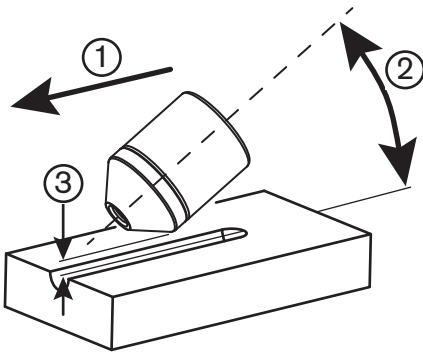


**Side gouge**



**Weaving gouge**

**Gouge profiles and metal removal rates**



Operating parameters		
1	Speed	635 to 1270 mm/minute (25 to 50 ipm)
2	Angle	35 to 45 degrees
3	Standoff	12.7 to 19.0 mm (0.5 to 0.75 inches)
	Maximum arc stretch	76 mm (3 inches)*

\*For infrequent use, not 100% duty cycle

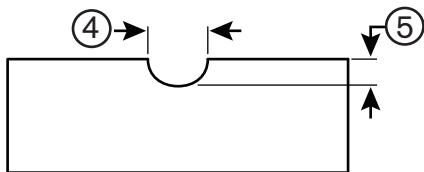
**Typical gouge profile for 200A, air**

Metal removal rate on mild steel – 18.7 Kg/hr (41.2 lbs/hr)

Speed 1270 mm/min (50 ipm)

Stand off 12.7 mm (0.5 inch)

Angle 35°



4	10.7 mm (0.42 inches)
5	4.4 mm (0.18 inches)

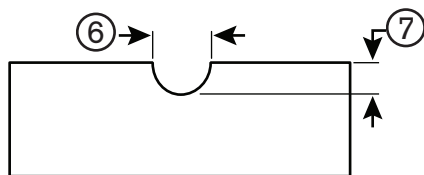
**Typical gouge profile for 200A, O<sub>2</sub>**

Metal removal rate on mild steel – 20.5 Kg/hr (45 lbs/hr)

Speed 1270 mm/min (50 ipm)

Stand off 12.7 mm (0.5 inch)

Angle 35°



6	10.4 mm (0.41 inches)
7	5.4 mm (0.21 inches)

### Varying the gouge profile

You can vary the gouge profile and the metal removal rate by varying the speed of the torch over the workpiece, varying the distance between the torch and the workpiece, varying the angle of the torch to the workpiece, and varying the current output of the power supply.

The following actions have the stated effects on the gouge profile:

- **Increasing the speed** of the torch will **decrease width** and **decrease depth**.
- **Decreasing the speed** of the torch will **increase width** and **increase depth**.
- **Increasing the standoff** of the torch will **increase width** and **decrease depth**.
- **Decreasing the standoff** of the torch will **decrease width** and **increase depth**.
- **Increasing the angle** of the torch (more vertical) will **decrease width** and **increase depth**.
- **Decreasing the angle** of the torch (less vertical) will **increase width** and **decrease depth**.
- **Increasing the current** of the power supply will **increase width** and **increase depth**.
- **Decreasing the current** of the power supply will **decrease width** and **decrease depth**.

### Cutting parameters

The cut charts for the MAXPRO200 show the consumable parts, cutting speeds, and the gas and torch settings required for each process, allowing for differences in the lead length. These parameters are used for cutting with both mechanized and handheld torches, the consumable part numbers listed with each cut chart are specific to mechanized torches. Refer to *Hand held torch consumables* below for the consumables to use with handheld torches.

The cut chart values in this document are recommended to provide high quality cuts with minimal dross. Because of differences between installations and material composition, adjustments may be required to obtain desired results.

### Mechanized consumables

The consumable part numbers listed above each cut chart are specific to mechanized torches.

### Hand held torch consumables

The following sets of consumables are intended to be used with handheld torches for cutting mild steel, stainless steel, and aluminum. Use the cutting parameters detailed in the Cut charts for cutting with the MAXPRO200 handheld torches. Use the following consumables for each process.



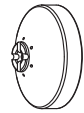
## Hand held cutting and gouging consumable selection

The following sets of consumables are intended to be used with handheld torches for cutting mild steel, stainless steel, and aluminum. You can use the cutting parameters detailed under *Cut charts* on page 103 with the MAXPRO200 handheld torches as long as you use the following consumables for each process.

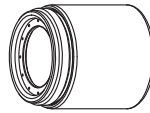
**Note:** consumable part numbers listed above each cut chart are specific to mechanized torches.

### Mild steel

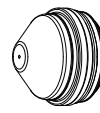
**50 A**  
Air Plasma  
Air Shield



420063



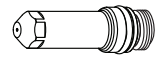
220935



220890

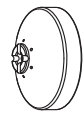


220529

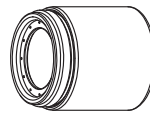


220528

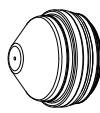
**50 A**  
O<sub>2</sub> Plasma  
Air Shield



420063



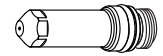
220935



220891



220529

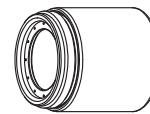


220528

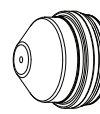
**130 A**  
Air Plasma  
Air Shield



420061



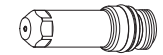
220935



220892



220488

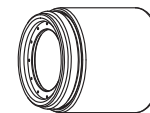


220487

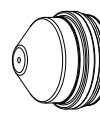
**130 A**  
O<sub>2</sub> Plasma  
Air Shield



420062



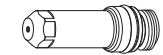
220935



220893

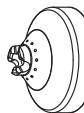


220488

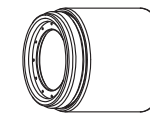


220487

**200 A**  
Air Plasma  
Air Shield



420058



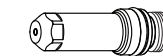
220935



420044



220488

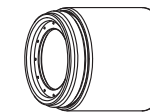


220937

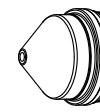
**200 A**  
O<sub>2</sub> Plasma  
Air Shield



420059



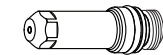
220935



220831



220834

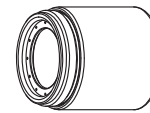


220937

**200 A Gouging**  
Air Plasma  
Air Shield



420067



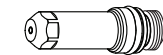
420793



420066



220488

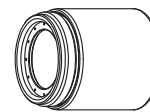


220937

**200 A Gouging**  
O<sub>2</sub> Plasma  
Air Shield



420067



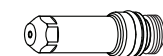
420793



420066



220834

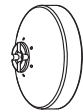


220937

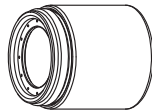
# Operation

## Stainless steel

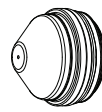
**50 A**  
Air Plasma  
Air Shield



420063



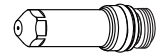
220935



220890



220529

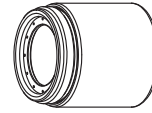


220528

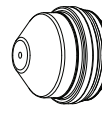
**130 A**  
Air Plasma  
Air Shield



420061



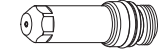
220935



220892



220488

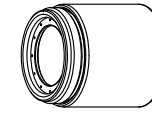


220487

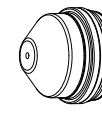
**130 A**  
N<sub>2</sub> Plasma  
N<sub>2</sub> Shield



420061



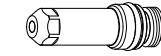
220935



220892

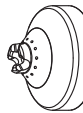


220529

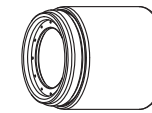


020415

**200 A**  
Air Plasma  
Air Shield



420058



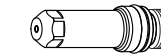
220935



420044



220488

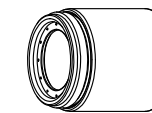


220937

**200 A**  
N<sub>2</sub> Plasma  
N<sub>2</sub> Shield



420058



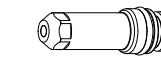
220935



420044



220529

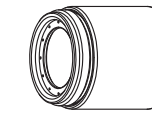


020415

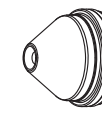
**200 A Gouging**  
Air Plasma  
Air Shield



420067



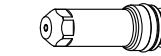
420793



420066



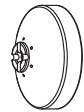
220488



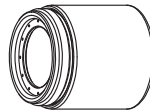
220937

Aluminum

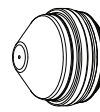
**50 A**  
Air Plasma  
Air Shield



420063



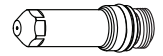
220935



220890



220529

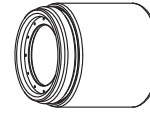


220528

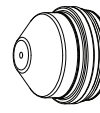
**130 A**  
Air Plasma  
Air Shield



420061



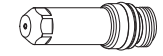
220935



220892



220488

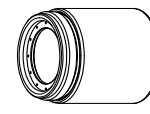


220487

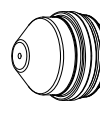
**130 A**  
N<sub>2</sub> Plasma  
N<sub>2</sub> Shield



420061



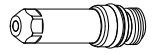
220935



220892

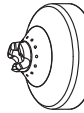


220529

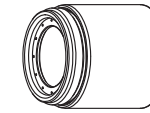


020415

**200 A**  
Air Plasma  
Air Shield



420058



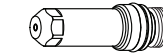
220935



420044



220488

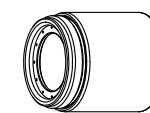


220937

**200 A**  
N<sub>2</sub> Plasma  
N<sub>2</sub> Shield



420058



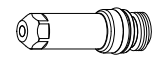
220935



420044



220529

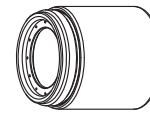


020415

**200 A Gouging**  
Air Plasma  
Air Shield



420067



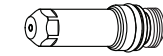
420793



420066





220488



220937

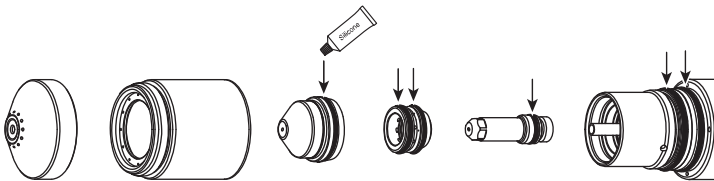
## Install and inspect consumables

		<b>WARNING!</b>
<b>Always disconnect power to the power supply before inspecting or changing torch consumable parts. Use gloves when removing consumables. The torch might be hot.</b>		

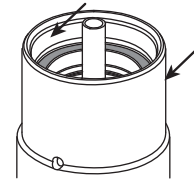
### Install consumables

Check the consumable parts daily for wear before cutting. See *Inspect consumables* on page 93. Before removing consumables, bring the torch to the edge of the cutting table, with the torch lifter raised to its highest point to prevent the consumables from dropping into the water of the water table.

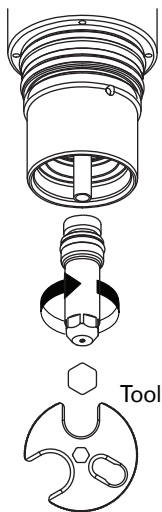
Do not overtighten parts! Only tighten until mating parts are seated.



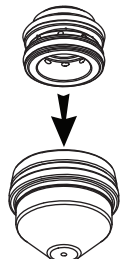
Apply a thin film of silicone lubricant on each o-ring. The o-ring should look shiny, but there should not be any excess or built-up lubricant.



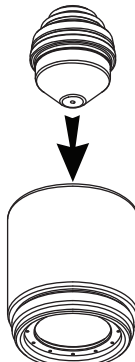
Wipe the internal and external surfaces of the torch with a clean cloth or paper towel.



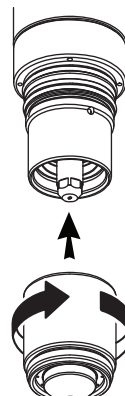
1. Install the electrode into the torch head



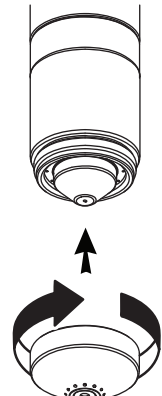
2. Install the swirl ring into the nozzle



3. Install the nozzle and swirl ring into the nozzle retaining cap

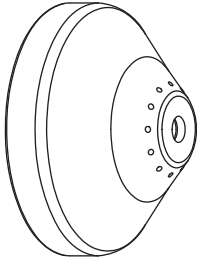
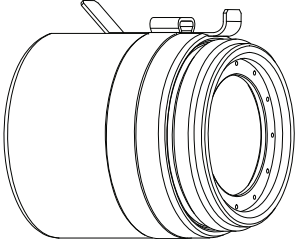
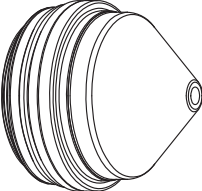
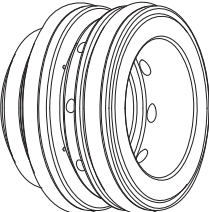
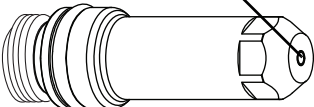


4. Install the nozzle retaining cap onto the torch head



5. Install the shield onto the nozzle retaining cap

**Inspect consumables**

Inspect	Look for	Action
<p><b>Shield</b></p> 	<p><b>General:</b> Erosion or missing material Molten material attached Blocked gas holes</p> <p><b>Center hole:</b> Must be round</p>	<p>Replace the shield Replace the shield Replace the shield</p> <p>Replace the shield when the center hole is no longer round</p>
<p><b>Nozzle retaining cap</b></p> 	<p><b>General:</b> Erosion or missing material Cracks Burn marks</p>	<p>Replace the nozzle retaining cap Replace the nozzle retaining cap Replace the nozzle retaining cap</p>
<p><b>Nozzle</b> Always replace the nozzle and the electrode as a set</p> 	<p><b>General:</b> Erosion or missing material Blocked gas holes</p> <p><b>Center hole:</b> Must be round Signs of arcing</p> <p><b>O-rings:</b> Damage Lubricant</p>	<p>Replace the nozzle Replace the nozzle</p> <p>Replace the nozzle when the center hole is no longer round Replace the nozzle</p> <p>Replace the o-ring Apply a thin film of silicone lubricant if the o-rings are dry</p>
<p><b>Swirl ring</b></p> 	<p><b>General:</b> Damage Dirt or debris Blocked gas holes</p> <p><b>O-rings:</b> Damage Lubricant</p>	<p>Replace the swirl ring Clean and inspect for damage, and replace if damaged Replace the swirl ring</p> <p>Replace the o-ring Apply a thin film of silicone lubricant if the o-rings are dry</p>
<p><b>Electrode</b> Always replace the nozzle and the electrode as a set</p> 	<p><b>Center surface:</b> Emitter wear – a pit forms as the emitter wears</p> <p><b>O-rings:</b> Damage Lubricant</p>	<p>In general, replace the electrode when the pit depth is 1 mm (0.04 in.) or greater.</p> <p>Replace the o-ring Apply a thin film of silicone lubricant if the o-rings are dry</p>

### Torch maintenance

Poor cut quality and premature failure may occur if the torch is not maintained properly.

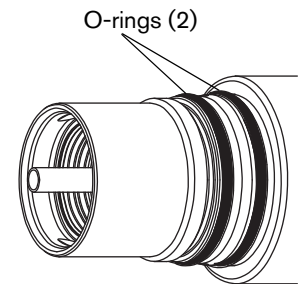
The torch is manufactured to very tight tolerances to maximize cut quality. The torch should not be subjected to hard impacts that can cause critical features to become misaligned.

The torch should be stored in a clean location when not in use, to avoid contamination of critical surfaces and passages.

### Routine maintenance

The following steps should be completed each time consumables are changed:

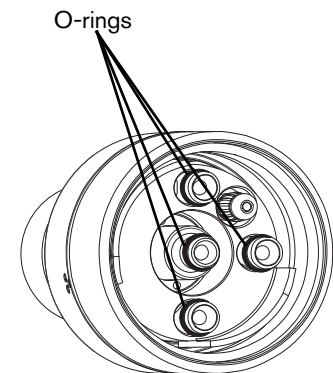
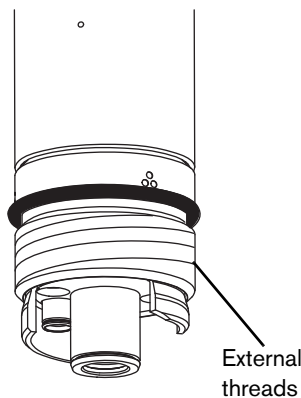
1. Use a clean cloth to wipe off the torch inside and outside. A cotton swab can be used to access hard-to-reach internal surfaces.
2. Use compressed air to blow away any remaining dirt and debris from internal and external surfaces.
3. Apply a thin film of silicone lubricant on each external o-ring. The o-rings should look shiny, but there should not be any excess or built-up lubricant.
4. If consumables will be reused, use a clean cloth to wipe them off, and use compressed air to blow them off before they are installed again. This is especially critical for the nozzle retaining cap.



### Quick-disconnect maintenance

The following steps should be completed every 5–10 times consumables are changed:

1. Remove the torch from the quick-disconnect assembly.
2. Use compressed air to blow off all internal surfaces and the external threads.
3. Use compressed air to blow off all internal surfaces at the rear of the torch.
4. Inspect each of the 4 o-rings at the rear of the torch and the o-ring on the quick-disconnect receptacle for damage. Replace any damaged o-rings. If they are not damaged, apply a thin film of silicone lubricant on each o-ring. The o-rings should look shiny, but there should not be any excess or built-up lubricant.



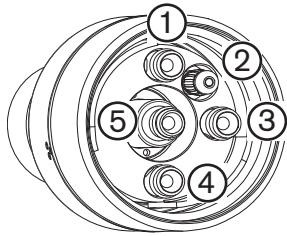
**Rear view of torch**

### Maintenance kit

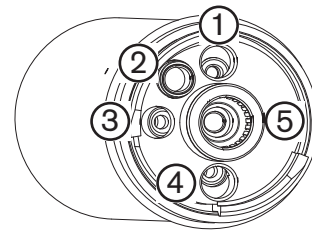
Even with proper care, the o-rings at the rear of the torch will need to be replaced periodically. Hypertherm provides a quick-disconnect torch maintenance kit (228780) with replacement parts. The kit should be kept in stock and be used as part of your routine maintenance schedule. The straight torch and the hand torches only have two replaceable o-rings.

## Torch connections

### Quick-disconnect torch



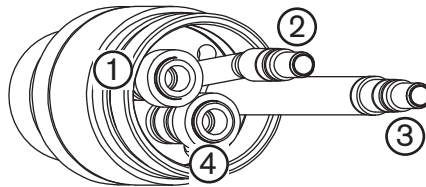
Torch main body



Quick-disconnect receptacle

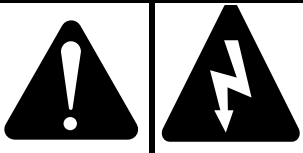
1	Shield gas
2	Pilot arc
3	Coolant return
4	Plasma gas
5	Coolant supply

### Straight torch



1	Plasma gas
2	Coolant supply (also contains the negative lead)
3	Shield gas (also contains the pilot arc lead)
4	Coolant return

### Replace the torch water tube

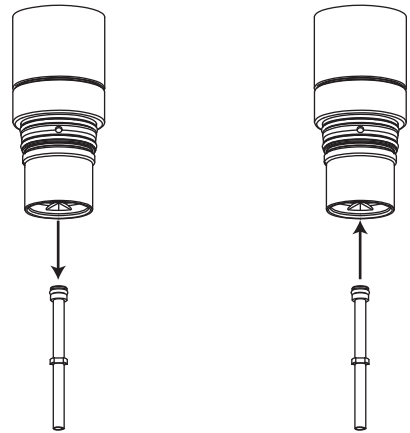


#### WARNING!

**DO NOT CHANGE CONSUMABLE PARTS WHILE IN THE IDLE MODE. Always disconnect power to the power supply before inspecting or changing torch consumable parts. Use gloves when removing consumables. The torch might be hot.**

**Note:** The water tube may seem loose when correctly inserted, but any side-to-side looseness will disappear after the electrode is installed.

1. Turn OFF all power to the system.
2. Remove consumables from torch. See *Install and inspect consumables* on page 92.
3. Remove the old water tube.
4. Apply a thin film of silicone lubricant on the o-ring, and install a new water tube. The o-ring should look shiny, but there should not be any excess or built-up lubricant.
5. Replace consumables. See *Install and inspect consumables* on page 92.





---

## Common cutting faults

### Machine torch

- Torch pilot arc will initiate, but will not transfer. Causes can be:
  - Work cable connection on the cutting table is not making good contact.
  - Malfunction in the system. See *Troubleshooting table* on page 131.
  - Torch-to-work distance is too high.
- The workpiece is not totally penetrated, and there is excessive sparking on top of the workpiece. Causes can be:
  - Current is set too low (check cut chart information).
  - Cut speed or cut height is too high (check cut chart information).
  - Torch parts are worn or incorrect (see *Install and inspect consumables* on page 92).
  - Metal being cut is too thick.
- Dross forms on the bottom of the cut. Causes can be:
  - Cutting speed is not correct (check cut chart information).
  - Arc current is set too low (check cut chart information).
  - Torch parts are worn or incorrect (see *Install and inspect consumables* on page 92).
- Cut angle is not square. Causes can be:
  - Wrong direction of machine travel. High-quality side is on the right with respect to the forward motion of the torch.
  - Torch-to-work distance is not correct (check cut chart information).
  - Cutting speed is not correct (check cut chart information).
  - Arc current is not correct (check cut chart information).
  - Damaged or worn consumable parts (see *Install and inspect consumables* on page 92).
- Short consumable life. Causes can be:
  - Arc current, arc voltage, travel speed, motion delay, gas flow rates, or initial torch height not set as specified in the Cut charts.
  - Attempting to cut highly magnetic metal plate, such as armor plate with a high nickel content, will shorten consumable life. Long consumable life is difficult to achieve when cutting plate that is magnetized or becomes magnetized easily.
  - Beginning or ending the cut beyond the plate surface. This draws the arc sideways and can damage the nozzle or shield. To achieve consumable long life, all cuts must begin and end on the plate surface.

### Hand torch

- The torch does not cut completely through the workpiece. The causes can be:
  - The cut speed is too fast.
  - The consumables are worn.
  - The metal being cut is too thick for the selected amperage.
  - Gouging consumables are installed instead of drag-cutting consumables.
  - The work clamp is not attached properly to the workpiece.
  - The gas pressure or gas flow rate is too low.

## Operation

---

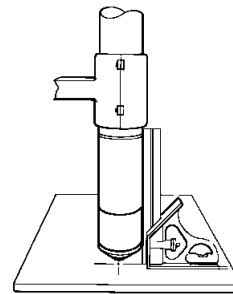
- Cut quality is poor. The causes can be:
  - The metal being cut is too thick for the amperage.
  - The wrong consumables are being used (gouging consumables are installed instead of drag-cutting consumables, for example).
  - Moving the torch too quickly or too slowly.
- The arc sputters and consumables life is shorter than expected. The cause can be:
  - Moisture in the gas supply.
  - Incorrect gas pressure.
  - Consumables incorrectly installed.

## Optimizing cut quality

The following tips and procedures will help produce square, straight, smooth, and dross-free cuts.

### Tips for table and torch

- Use a square to align the torch at right angles to the workpiece.
- The torch may travel more smoothly if you clean, check, and tune motion on the rails and drive system of the cutting table. Unsteady machine motion can cause a regular, wavy pattern on the cut surface.
- The torch must not touch the workpiece during cutting. Contact can damage the shield and nozzle, and affect the cut surface.



### Plasma setup tips

Follow carefully each step in the Daily Start-up procedure described earlier in this section.

Purge the gas lines before cutting.

### Maximize the life of consumable parts

Hypertherm's LongLife® process automatically increases the gas and current flow at the start of each cut and decreases them at the end to minimize erosion of the electrode's center surface. The LongLife process also requires that cuts start and stop on the workpiece.

- The torch should never fire into the air.
  - Starting the cut at the edge of the workpiece is acceptable, as long as the arc is not fired in the air.
  - To start with a pierce, use a pierce height that is 1.5 to 2 times the cut height. Refer to the cut chart for your process for more information.
- Each cut should end with the arc still attached to the workpiece to avoid arc blow-outs (ramp-down errors).
  - When cutting small parts that drop down after being cut from the workpiece, check that the arc remains attached to the edge of the workpiece for proper ramp-down.
- If arc blow-outs occur, try one or more of the following:
  - Reduce the cutting speed during the final part of the cut.
  - Stop the arc before the part is completely cut to allow completion of the cut during the ramp-down.
  - Program the path of the torch into the scrap area for ramp-down.

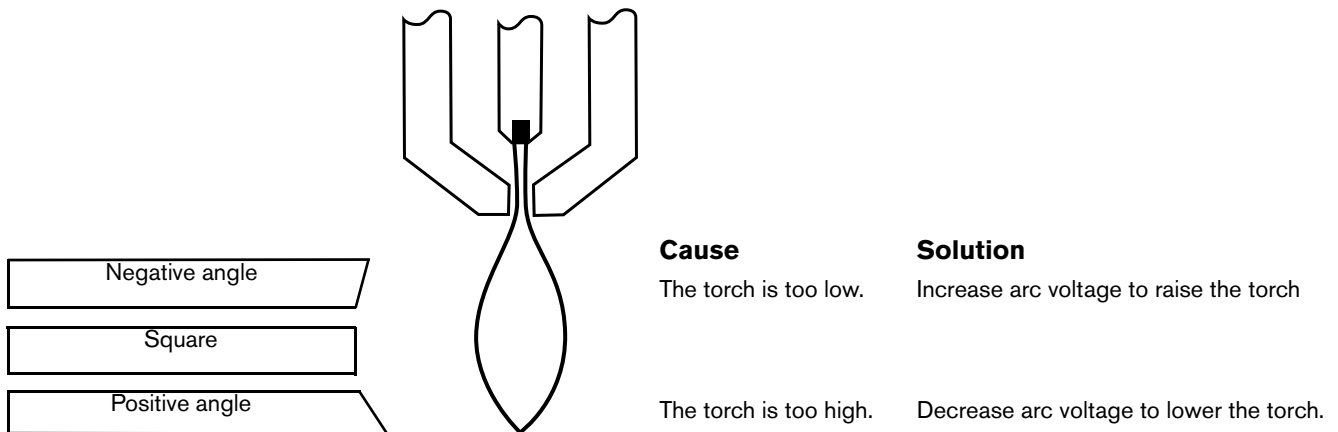
**Notes:**

- Program the path of the torch directly from one cut part into the next, without stopping and starting the arc. However, do not allow the path to lead off the workpiece and back on.
- It may be difficult to achieve the full benefits of the LongLife process in some conditions.

**Additional factors of cut quality**

**Cut angle**

- A cut part whose 4 sides average less than 4° of cut angle is considered acceptable.
- The squarest cut angle will be on the right side with respect to the forward motion of the torch.
- To determine whether a cut-angle problem is being caused by the plasma system or the drive system:
  - a. Make a test cut and measure the angle of each side.
  - b. Rotate the torch 90° in its holder and repeat the process.
  - c. If the angles are the same in both tests, the problem is in the drive system.
- If a cut-angle problem persists after mechanical causes have been eliminated (see *Tips for table and torch*), check the cut height, especially if cut angles are all positive or all negative.
  - A positive cut angle results when more material is removed from the top of the cut than from the bottom.
  - A negative cut angle results when more material is removed from the bottom of the cut.



## Operation

---

### Dross

Low-speed dross forms when the torch's cutting speed is too slow and the arc shoots ahead. It forms as a heavy, bubbly deposit at the bottom of the cut and can be removed easily. Increase the speed to reduce the dross.

High-speed dross forms when the cutting speed is too fast and the arc lags behind. It forms as a thin, linear bead of solid metal attached very closely to the cut. It is welded to the bottom of the cut and is difficult to remove. To reduce high-speed dross:

- Decrease the cutting speed.
- Decrease arc voltage to decrease the torch-to-work distance.

#### Notes:

- Dross is more likely to form on warm or hot metal than on cool metal. The first cut in a series of cuts will likely produce the least dross. As the workpiece heats up, more dross may form during subsequent cuts.
- Dross is more likely to form on mild steel than on stainless steel or aluminum.
- Worn or damaged consumables may produce intermittent dross.

### Straightness of the cut surface



A typical plasma cut surface is slightly concave.

The cut surface may become more concave, or convex. Correct torch height is required to keep the cut surface acceptably close to straight.



A strongly concave cut surface occurs when the torch-to-work distance is too low. Increase the arc voltage to increase the torch-to-work distance and straighten the cut surface.



A convex cut surface occurs when the cut height is too great or the cutting current is too high. First, reduce the arc voltage, then reduce the cutting current. If there is overlap between different cutting currents for that thickness, try the consumables designed for the lower current.

### How to increase cutting speed

To increase cutting speed, you can decrease the torch-to-work distance. However, decreasing this distance will increase the negative cut angle.

For mechanized applications the torch must not touch the workpiece while piercing or cutting.

For hand held applications the shield can be touching the workpiece to provide stability during cutting.

## Estimated kerf-width compensation

The kerf widths in the following charts are for reference. Differences between installations and material composition may cause actual results to vary from those shown in the tables.

### Metric

Mild steel	Thickness (mm)																					
	0.5	0.8	1	1.2	1.5	2	2.5	3	4	5	6	8	10	12	15	20	25	32	38	44	50	
50A Air / Air	1.72	1.51	1.46	1.52	1.62	1.58	1.53	1.47	1.44		1.57											
50A O <sub>2</sub> / Air	1.36	1.35	1.36	1.37	1.39	1.41	1.42	1.44	1.51		1.52											
130A Air / Air								2.08	2.21		2.38		2.45	2.48	2.68	3.08	3.46	3.98				
130A O <sub>2</sub> / Air								2.29	2.35		2.40		2.56	2.63	2.92	3.45	3.82	4.33	4.78			
200A Air / Air											2.68	2.90	2.98	2.95	3.12	3.53	3.98	4.20	4.37	5.02	5.69	
200A O <sub>2</sub> / Air											2.55	2.95	3.11	3.04	3.13	3.44	3.96	4.60	5.15	5.77	6.40	
Stainless steel	Thickness (mm)																					
	0.5	0.8	1	1.2	1.5	2	2.5	3	4	5	6	8	10	12	15	20	25	32	38	44	50	
50A Air / Air	1.45	1.71	1.77	1.68	1.56	1.52	1.50	1.55	1.66		1.71											
130A Air / Air											2.57		2.70	2.74	2.90	3.19						
130A N <sub>2</sub> / N <sub>2</sub>											2.56	2.40		2.43	2.40	2.59	2.97					
200A Air / Air								3.03			2.76		2.76	2.76	2.98	3.35	3.42	3.64	3.85		4.67	
200A N <sub>2</sub> / N <sub>2</sub>											3.36	3.20		2.94	2.95	3.32	3.92	3.71	4.22	4.70		
Aluminum	Thickness (mm)																					
	0.5	0.8	1	1.2	1.5	2	2.5	3	4	5	6	8	10	12	15	20	25	32	38	44	50	
50A Air / Air	1.40	1.40	1.40	1.40	1.40	1.47	1.50	1.52	1.55		1.58											
130A Air / Air											2.84		2.80	2.78	2.76	2.77	2.88					
130A N <sub>2</sub> / N <sub>2</sub>											2.73	2.57		2.62	2.46	2.61	3.00					
200A Air / Air								3.73			3.94		3.44	3.42	3.51	3.73	4.03	4.29	5.38			
200A N <sub>2</sub> / N <sub>2</sub>											3.55	3.35		3.04	3.02	3.16	3.52	4.00	4.57	5.04		

**English**

Mild steel	Thickness (inches)																								
	0.018	0.020	0.024	0.030	0.036	0.048	0.060	0.075	0.105	0.125	0.135	3/16	1/4	5/16	3/8	1/2	5/8	3/4	7/8	1	1-1/4	1-1/2	1-3/4	2	
50A Air / Air	0.069		0.065	0.061	0.056	0.060	0.064	0.063	0.059		0.056	0.058	0.063												
50A O <sub>2</sub> / Air	0.054		0.053	0.053	0.053	0.054	0.055	0.055	0.056		0.057	0.063	0.059												
130A Air / Air											0.085	0.090	0.095		0.096	0.098	0.108	0.119		0.137	0.156				
130A O <sub>2</sub> / Air											0.092	0.093	0.095		0.100	0.105	0.119	0.133		0.151	0.170	0.188			
200A Air / Air													0.111	0.114	0.118	0.116	0.126	0.135	0.147	0.158	0.165	0.172	0.200	0.227	
200A O <sub>2</sub> / Air													0.109		0.123	0.119	0.125	0.132	0.145	0.157	0.180	0.203	0.229	0.255	
Stainless steel	Thickness (inches)																								
	.018	.020	.024	.030	.036	.048	.060	.075	.105	.125	.135	3/16	1/4	5/16	3/8	1/2	5/8	3/4	7/8	1	1-1/4	1-1/2	1-3/4	2	
50A Air / Air	0.056		0.061	0.066	0.071	0.066	0.061	0.060	0.059	N/A	0.063	0.068	0.067												
130A Air / Air												0.104			0.106	0.108	0.116	0.124							
130A N <sub>2</sub> / N <sub>2</sub>											0.101	0.093			0.096	0.094	0.105	0.116							
200A Air / Air											0.119	0.105			0.109	0.109	0.120	0.131	0.135	0.134	0.143	0.152		0.184	
200A N <sub>2</sub> / N <sub>2</sub>											0.132	0.124			0.116	0.116	0.136	0.156	0.151	0.145	0.165	0.185			
Aluminum	Thickness (inches)																								
	.018	.020	.024	.030	.036	.048	.060	.075	.105	.125	.135	3/16	1/4	5/16	3/8	1/2	5/8	3/4	7/8	1	1-1/4	1-1/2	1-3/4	2	
50A Air / Air	0.055	0.055	0.055	0.055	0.055	0.055	0.055	0.055	0.061	0.061		0.062	0.062												
130A Air / Air												0.112			0.110	0.109	0.109	0.108		0.114					
130A N <sub>2</sub> / N <sub>2</sub>											0.107	0.099			0.105	0.095	0.106	0.117							
200A Air / Air											0.151	0.157			0.136	0.134	0.140	0.145	0.152	0.159	0.167	0.213			
200A N <sub>2</sub> / N <sub>2</sub>											0.140	0.130			0.120	0.119	0.127	0.135	0.147	0.159	0.179	0.199			

## **Cut charts**

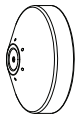
The following cut charts for the MAXPRO200 show the consumable parts, cutting speeds, and the gas and torch settings required for each process, allowing for differences in the lead length. While you can use these parameters for cutting with both mechanized and handheld torches, the consumable part numbers listed with each cut chart are specific to mechanized torches. Refer to *Hand held cutting and gouging consumable selection* on page 89 for the consumables to use for handheld torches for each process.

The cut chart values in this document are recommended to provide high quality cuts with minimal dross. Because of differences between installations and material composition, adjustments may be required to obtain desired results.

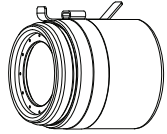
## Operation

### Mild steel Air Plasma / Air Shield 50 A Cutting

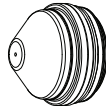
Flow rates – lpm/scfh	
Air (Plasma)	Air (Shield)
12/25	103/218



220532



220936\* / 220935\*\*



220890



220529



220528

**Note:** Gas pressure values are set automatically by the system when the process is chosen. The arc voltage settings in these cut charts were measured with a lead length of 30.5 meters (100 feet). Adjustments to arc voltage settings may be needed for shorter lead lengths.

### Metric

Plasma Cutflow				Shield Cutflow				Material Thickness	Arc Voltage	Cut Height	Cutting Speed	Pierce Height		Pierce Delay
7.6 m Lead	15.3 m Lead	22.9 m Lead	30.5 m Lead	7.6 m Lead	15.3 m Lead	22.9 m Lead	30.5 m Lead					mm	Volts	
62	63	63	63	39	42	45	47	0.5	112	1.5	9400	3.0	200	0.0
								0.8	111	1.5	8510	3.0	200	0.0
								1.0	111	1.5	8050	3.0	200	0.1
								1.2	110	1.8	7625	3.6	200	0.1
								1.5	110	1.8	7370	3.6	200	0.1
								2.0	110	1.8	6735	3.6	200	0.1
								2.5	111	2.0	5080	4.0	200	0.2
								3.0	111	2.0	3760	4.0	200	0.3
								4.0	113	2.3	2415	4.6	200	0.4
								6.0	118	2.5	1600	4.6	180	0.5

### English

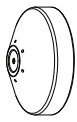
Plasma Cutflow				Shield Cutflow				Material Thickness	Arc Voltage	Cut Height	Cutting Speed	Pierce Height		Pierce Delay
25 ft Lead	50 ft Lead	75 ft Lead	100 ft Lead	25 ft Lead	50 ft Lead	75 ft Lead	100 ft Lead					in	Volts	
62	63	63	63	39	42	45	47	0.018	112	0.06	375	0.12	200	0.0
								0.024	112	0.06	350	0.12	200	0.0
								0.030	111	0.06	340	0.12	200	0.0
								0.036	111	0.06	325	0.12	200	0.1
								0.048	110	0.07	300	0.14	200	0.1
								0.060	110	0.07	290	0.14	200	0.1
								0.075	110	0.07	275	0.14	200	0.1
								0.105	111	0.08	180	0.16	200	0.2
								0.135	111	0.08	110	0.16	200	0.3
								3/16	116	0.09	75	0.18	200	0.4
1/4	118	0.10	60	0.18	180	0.5								

\*with IHS tab / \*\*without IHS tab



**Mild steel**  
O<sub>2</sub> Plasma / Air Shield  
50 A Cutting

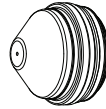
Flow rates – lpm/scfh	
O <sub>2</sub> (Plasma)	Air (Shield)
12/25	73/155



220532



220936\* / 220935\*\*



220891



220529



220528

**Note:** Gas pressure values are set automatically by the system when the process is chosen. The arc voltage settings in these cut charts were measured with a lead length of 30.5 meters (100 feet). Adjustments to arc voltage settings may be needed for shorter lead length.

**Metric**

Plasma Cutflow				Shield Cutflow				Material Thickness	Arc Voltage	Cut Height	Cutting Speed	Pierce Height		Pierce Delay
7.6 m Lead	15.3 m Lead	22.9 m Lead	30.5 m Lead	7.6 m Lead	15.3 m Lead	22.9 m Lead	30.5 m Lead					mm	Volts	
68	68	69	69	25	27	29	31	0.5	98	1.5	7550	3.0	200	0.0
								0.8	96	1.5	7050	3.0	200	0.0
								1.0	90	1.5	6775	3.0	200	0.1
								1.2	94	1.5	6600	3.0	200	0.1
								1.5	99	1.5	6150	3.0	200	0.1
								2.0	99	1.5	5400	3.0	200	0.1
								2.5	99	1.8	4300	3.6	200	0.2
								3.0	99	1.8	3650	3.6	200	0.3
								4.0	101	2.0	2800	3.8	190	0.4
6.0	103	2.5	1750	3.8	150	0.5								

**English**

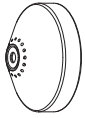
Plasma Cutflow				Shield Cutflow				Material Thickness	Arc Voltage	Cut Height	Cutting Speed	Pierce Height		Pierce Delay
25 ft Lead	50 ft Lead	75 ft Lead	100 ft Lead	25 ft Lead	50 ft Lead	75 ft Lead	100 ft Lead					in	Volts	
68	68	69	69	25	27	29	31	0.018	98	0.06	300	0.12	200	0.0
								0.024	98	0.06	290	0.12	200	0.0
								0.030	98	0.06	280	0.12	200	0.0
								0.036	89	0.06	270	0.12	200	0.1
								0.048	94	0.06	260	0.12	200	0.1
								0.060	99	0.06	240	0.12	200	0.1
								0.075	99	0.06	220	0.12	200	0.1
								0.105	99	0.07	160	0.14	200	0.2
								0.135	99	0.07	130	0.14	200	0.3
								3/16	103	0.09	85	0.15	160	0.4
								1/4	103	0.10	65	0.15	150	0.5

\*with IHS tab / \*\*without IHS tab

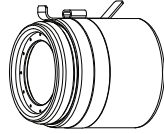
## Operation

### Mild steel Air Plasma / Air Shield 130 A Cutting

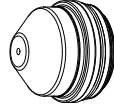
Flow rates – lpm/scfh	
Air (Plasma)	Air (Shield)
33/70	68/145



220536



220936\* / 220935\*\*



220892



220488



220487

**Note:** Gas pressure values are set automatically by the system when the process is chosen. The arc voltage settings in these cut charts were measured with a lead length of 30.5 meters (100 feet). Adjustments to arc voltage settings may be needed for shorter lead lengths.

### Metric

Plasma Cutflow				Shield Cutflow				Material Thickness	Arc Voltage	Cut Height	Cutting Speed	Pierce Height		Pierce Delay
7.6 m Lead	15.3 m Lead	22.9 m Lead	30.5 m Lead	7.6 m Lead	15.3 m Lead	22.9 m Lead	30.5 m Lead					mm	Volts	
68	69	70	71	22	24	26	28	3.0	149	3.0	5350	6.0	200	0.1
								4.0	147	3.0	4630	6.0	200	0.2
								6.0	142	2.4	3865	7.2	300	0.3
								10.0	152	4.1	2445	8.2	200	0.5
								12.0	154	4.1	2045	8.2	200	0.5
								15.0	155	4.4	1445	8.8	200	0.8
								20.0	158	4.6	815	9.6	210	1.2
								25.0	166	4.6	415	Edge start		
32.0	178	5.1	250	Edge start										

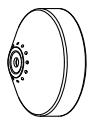
### English

Plasma Cutflow				Shield Cutflow				Material Thickness	Arc Voltage	Cut Height	Cutting Speed	Pierce Height		Pierce Delay
25 ft Lead	50 ft Lead	75 ft Lead	100 ft Lead	25 ft Lead	50 ft Lead	75 ft Lead	100 ft Lead					in	Volts	
68	69	70	71	22	24	26	28	0.135	149	0.12	220	0.24	200	0.1
								3/16	145	0.12	160	0.24	200	0.2
								1/4	141	0.10	150	0.28	300	0.3
								3/8	151	0.16	100	0.32	200	0.5
								1/2	154	0.16	75	0.32	200	0.5
								5/8	155	0.18	50	0.36	200	0.8
								3/4	156	0.18	35	0.38	210	1.2
								1	167	0.18	15	Edge start		
1-1/4	178	0.20	10	Edge start										

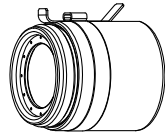
\*with IHS tab / \*\*without IHS tab

**Mild steel**  
O<sub>2</sub> Plasma / Air Shield  
130 A Cutting

Flow rates – lpm/scfh	
O <sub>2</sub> (Plasma)	Air (Shield)
20/42	86/183



220491



220936\* / 220935\*\*

**220534\*/220533\*\* MIRROR-IMAGE**

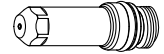


220893



220488

**420796 MIRROR-IMAGE**



220487

**Note:** Gas pressure values are set automatically by the system when the process is chosen. The arc voltage settings in these cut charts were measured with a lead length of 30.5 meters (100 feet). Adjustments to arc voltage settings may be needed for shorter lead lengths.

**Metric**

Plasma Cutflow				Shield Cutflow				Material Thickness	Arc Voltage	Cut Height	Cutting Speed	Pierce Height		Pierce Delay
7.6 m Lead	15.3 m Lead	22.9 m Lead	30.5 m Lead	7.6 m Lead	15.3 m Lead	22.9 m Lead	30.5 m Lead					mm	Volts	
62	62	64	64	30	32	35	37	3.0	130	2.6	5900	5.2	200	0.1
								4.0	131	2.7	5325	5.4	200	0.2
								6.0	134	2.8	3925	5.6	200	0.3
								10.0	136	3.0	2680	6.0	200	0.4
								12.0	138	3.0	2200	6.0	200	0.5
								15.0	140	3.6	1665	7.2	200	0.7
								20.0	145	3.9	1195	7.8	200	1.0
								25.0	151	4.1	685	Edge start		
								32.0	158	4.6	515			
38.0	163	4.6	310											

**English**

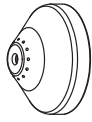
Plasma Cutflow				Shield Cutflow				Material Thickness	Arc Voltage	Cut Height	Cutting Speed	Pierce Height		Pierce Delay
25 ft Lead	50 ft Lead	75 ft Lead	100 ft Lead	25 ft Lead	50 ft Lead	75 ft Lead	100 ft Lead					in	Volts	
62	62	64	64	30	32	35	37	0.135	130	0.10	240	0.20	200	0.1
								3/16	132	0.11	190	0.22	200	0.2
								1/4	134	0.11	150	0.22	200	0.3
								3/8	136	0.12	110	0.24	200	0.3
								1/2	138	0.12	80	0.24	200	0.5
								5/8	141	0.15	60	0.30	200	0.7
								3/4	144	0.15	50	0.30	200	1.0
								1	151	0.16	25	Edge start		
								1-1/4	158	0.18	20			
1-1/2	163	0.18	12											

\*with IHS tab / \*\*without IHS tab

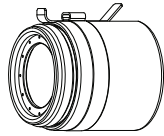
## Operation

### Mild steel Air Plasma / Air Shield 200 A Cutting

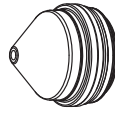
Flow rates – lpm/scfh	
Air (Plasma)	Air (Shield)
32/68	123/260



420045



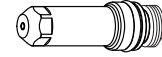
220936\* / 220935\*\*



420044



220488



220937

**Note:** Gas pressure values are set automatically by the system when the process is chosen. The arc voltage settings in these cut charts were measured with a lead length of 30.5 meters (100 feet). Adjustments to arc voltage settings may be needed for shorter lead lengths.

### Metric

Plasma Cutflow				Shield Cutflow				Material Thickness	Arc Voltage	Cut Height	Cutting Speed	Pierce Height		Pierce Delay
7.6 m Lead	15.3 m Lead	22.9 m Lead	30.5 m Lead	7.6 m Lead	15.3 m Lead	22.9 m Lead	30.5 m Lead					mm	Volts	
52	54	55	56	48	50	54	58	6.0	147	1.0	4885	3.0	300	0.3
								8.0	148	1.3	4515	3.9	300	0.5
								10.0	151	3.0	3556	5.2	200	0.8
								12.0	153	3.0	2794	6.0	200	0.9
								15.0	158	4.3	2265	8.6	200	1.0
								20.0	165	4.8	1415	9.6	200	1.4
								25.0	172	6.4	940	11.4	180	1.7
								32.0	176	6.4	630	11.4	180	2.3
								38.0	179	6.4	510	Edge start		
								44.0	189	6.4	320			
								50.0	199	6.4	215			

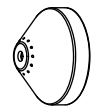
### English

Plasma Cutflow				Shield Cutflow				Material Thickness	Arc Voltage	Cut Height	Cutting Speed	Pierce Height		Pierce Delay
25 ft Lead	50 ft Lead	75 ft Lead	100 ft Lead	25 ft Lead	50 ft Lead	75 ft Lead	100 ft Lead					in	Volts	
52	54	55	56	48	50	54	58	1/4	145	0.04	190	0.12	300	0.3
								5/16	148	0.05	180	0.15	300	0.5
								3/8	151	0.10	140	0.20	200	0.8
								1/2	154	0.13	110	0.25	200	0.9
								5/8	159	0.19	85	0.38	200	1.0
								3/4	164	0.19	60	0.38	200	1.2
								7/8	169	0.19	50	0.38	200	1.4
								1	173	0.25	35	0.45	180	1.7
								1-1/4	176	0.25	25	0.45	180	2.3
								1-1/2	179	0.25	20	Edge start		
1-3/4	190	0.25	12											
								2	200	0.25	8			

\*with IHS tab / \*\*without IHS tab

**Mild steel**  
O<sub>2</sub> Plasma / Air Shield  
200 A Cutting

Flow rates – lpm/scfh	
O <sub>2</sub> (Plasma)	Air (Shield)
32/67	123/260

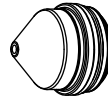


220832



220936\* / 220935\*\*

**220534\* / 220533\*\* MIRROR-IMAGE**

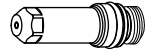


220831



220834

**420795 MIRROR-IMAGE**



220937

**Note:** Gas pressure values are set automatically by the system when the process is chosen. The arc voltage settings in these cut charts were measured with a lead length of 30.5 meters (100 feet). Adjustments to arc voltage settings may be needed for shorter lead lengths.

**Metric**

Plasma Cutflow				Shield Cutflow				Material Thickness	Arc Voltage	Cut Height	Cutting Speed	Pierce Height		Pierce Delay
7.6 m Lead	15.3 m Lead	22.9 m Lead	30.5 m Lead	7.6 m Lead	15.3 m Lead	22.9 m Lead	30.5 m Lead					mm	Volts	
68	69	70	71	48	50	54	58	6.0	146	1.5	6210	3.0	200	0.3
								8.0	150	3.4	4850	5.1	150	0.4
								10.0	156	4.6	3735	6.9	150	0.4
								12.0	154	3.8	3415	9.5	250	0.6
								15.0	153	3.1	2845	7.8	250	0.7
								20.0	154	3.0	1920	7.5	250	0.8
								25.0	154	3.2	1430	8.0	250	1.0
								32.0	161	3.1	805	8.9	280	1.3
								38.0	168	4.4	570	Edge start		
								44.0	175	4.4	395			
50.0	180	4.4	270											

**English**

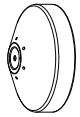
Plasma Cutflow				Shield Cutflow				Material Thickness	Arc Voltage	Cut Height	Cutting Speed	Pierce Height		Pierce Delay
25 ft Lead	50 ft Lead	75 ft Lead	100 ft Lead	25 ft Lead	50 ft Lead	75 ft Lead	100 ft Lead					in	Volts	
68	69	70	71	48	50	54	58	1/4	143	0.08	235	0.15	200	0.3
								3/8	157	0.19	150	0.28	150	0.3
								1/2	153	0.14	130	0.28	200	0.3
								5/8	153	0.12	105	0.28	250	0.5
								3/4	154	0.12	80	0.28	250	0.6
								7/8	154	0.13	65	0.31	250	0.7
								1	154	0.13	55	0.31	250	0.8
								1-1/4	161	0.13	32	0.35	280	1.5
								1-1/2	168	0.18	22	Edge start		
								1-3/4	175	0.18	15			
2	181	0.18	10											

\*with IHS tab / \*\*without IHS tab

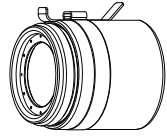
## Operation

### Stainless steel Air Plasma / Air Shield 50 A Cutting

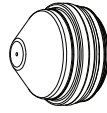
Flow rates – lpm/scfh	
Air (Plasma)	Air (Shield)
12/25	103/218



220532



220936\* / 220935\*\*



220890



220529



220528

**Note:** Gas pressure values are set automatically by the system when the process is chosen. The arc voltage settings in these cut charts were measured with a lead length of 30.5 meters (100 feet). Adjustments to arc voltage settings may be needed for shorter lead lengths.

### Metric

Plasma Cutflow				Shield Cutflow				Material Thickness	Arc Voltage	Cut Height	Cutting Speed	Pierce Height		Pierce Delay
7.6 m Lead	15.3 m Lead	22.9 m Lead	30.5 m Lead	7.6 m Lead	15.3 m Lead	22.9 m Lead	30.5 m Lead					mm	Volts	
62	63	63	63	39	42	45	47	0.5	101	1.5	8000	3.0	200	0.0
								0.8	102	1.6	7750	3.2	200	0.0
								1.0	102	1.8	7115	3.6	200	0.1
								1.2	103	1.8	6350	3.6	200	0.1
								1.5	106	1.8	5335	3.6	200	0.1
								2.0	108	2.0	4200	4.0	200	0.1
								2.5	111	2.0	3300	4.0	200	0.2
								3.0	112	2.0	2800	4.0	200	0.3
								4.0	116	2.2	2300	4.4	200	0.4
								6.0	123	2.5	1400	4.6	180	0.5

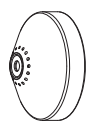
### English

Plasma Cutflow				Shield Cutflow				Material Thickness	Arc Voltage	Cut Height	Cutting Speed	Pierce Height		Pierce Delay
25 ft Lead	50 ft Lead	75 ft Lead	100 ft Lead	25 ft Lead	50 ft Lead	75 ft Lead	100 ft Lead					in	Volts	
62	63	63	63	39	42	45	47	0.018	101	0.06	300	0.12	200	0.0
								0.024	101	0.06	275	0.12	200	0.0
								0.030	102	0.06	265	0.12	200	0.0
								0.036	102	0.06	250	0.12	200	0.1
								0.048	103	0.07	225	0.14	200	0.1
								0.060	106	0.07	190	0.14	200	0.1
								0.075	107	0.07	165	0.14	200	0.1
								0.105	112	0.08	125	0.16	200	0.2
								0.135	113	0.08	85	0.16	200	0.3
								3/16	119	0.09	55	0.18	200	0.4
1/4	124	0.10	45	0.18	180	0.5								

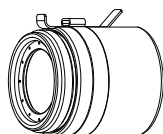
\*with IHS tab / \*\*without IHS tab

**Stainless steel**  
Air Plasma / Air Shield  
130 A Cutting

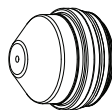
Flow rates – lpm/scfh	
Air (Plasma)	Air (Shield)
33/70	69/145



220536



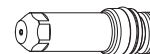
220936\* / 220935\*\*



220892



220488



220487

**Note:** Gas pressure values are set automatically by the system when the process is chosen. The arc voltage settings in these cut charts were measured with a lead length of 30.5 meters (100 feet). Adjustments to arc voltage settings may be needed for shorter lead lengths.

**Metric**

Plasma Cutflow				Shield Cutflow				Material Thickness	Arc Voltage	Cut Height	Cutting Speed	Pierce Height		Pierce Delay
7.6 m Lead	15.3 m Lead	22.9 m Lead	30.5 m Lead	7.6 m Lead	15.3 m Lead	22.9 m Lead	30.5 m Lead					mm	Volts	
68	69	70	71	22	24	26	28	6.0	147	3.5	2625	7.0	200	0.3
								10.0	153	4.1	1700	8.2	200	0.5
								12.0	155	4.1	1380	8.2	200	0.8
								15.0	160	4.4	900	Edge start		
								20.0	170	4.6	430			

**English**

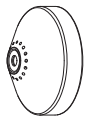
Plasma Cutflow				Shield Cutflow				Material Thickness	Arc Voltage	Cut Height	Cutting Speed	Pierce Height		Pierce Delay
25 ft Lead	50 ft Lead	75 ft Lead	100 ft Lead	25 ft Lead	50 ft Lead	75 ft Lead	100 ft Lead					in	Volts	
68	69	70	71	22	24	26	28	1/4	148	0.14	100	0.28	200	0.3
								3/8	152	0.16	70	0.32	200	0.5
								1/2	156	0.16	50	0.32	200	0.8
								5/8	162	0.18	30	Edge start		
								3/4	168	0.18	20			

\*with IHS tab / \*\*without IHS tab

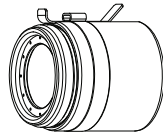
## Operation

### Stainless steel N<sub>2</sub> Plasma / N<sub>2</sub> Shield 130 A Cutting

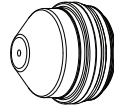
Flow rates – lpm/scfh	
N <sub>2</sub> (Plasma)	N <sub>2</sub> (Shield)
32/68	104/218



220536



220936\* / 220935\*\*



220892



220529



020415

**Note:** Gas pressure values are set automatically by the system when the process is chosen. The arc voltage settings in these cut charts were measured with a lead length of 30.5 meters (100 feet). Adjustments to arc voltage settings may be needed for shorter lead lengths.

### Metric

Plasma Cutflow				Shield Cutflow				Material Thickness	Arc Voltage	Cut Height	Cutting Speed	Pierce Height		Pierce Delay
7.6 m Lead	15.3 m Lead	22.9 m Lead	30.5 m Lead	7.6 m Lead	15.3 m Lead	22.9 m Lead	30.5 m Lead					mm	Volts	
68	69	70	71	36	39	42	44	5.0	148	3.0	3140	6.1	200	0.3
								6.0	151	3.0	2980	6.1	200	0.3
								10.0	152	3.3	1830	6.6	200	0.5
								12.0	154	3.3	1510	6.6	200	0.8
								15.0	158	3.6	1120	Edge start		
								20.0	166	3.8	470			

### English

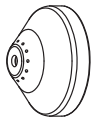
Plasma Cutflow				Shield Cutflow				Material Thickness	Arc Voltage	Cut Height	Cutting Speed	Pierce Height		Pierce Delay
25 ft Lead	50 ft Lead	75 ft Lead	100 ft Lead	25 ft Lead	50 ft Lead	75 ft Lead	100 ft Lead					in	Volts	
68	69	70	71	36	39	42	44	3/16	149	0.12	125	0.24	200	0.3
								1/4	151	0.12	115	0.24	200	0.3
								3/8	152	0.13	75	0.26	200	0.5
								1/2	154	0.13	55	0.26	200	0.8
								5/8	159	0.14	40	Edge start		
								3/4	165	0.15	25			

\*with IHS tab / \*\*without IHS tab

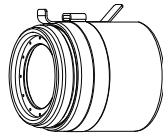


**Stainless steel**  
Air Plasma / Air Shield  
200 A Cutting

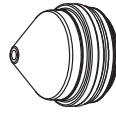
Flow rates – lpm/scfh	
Air (Plasma)	Air (Shield)
32/68	123/260



420045



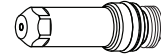
220936\* / 220935\*\*



420044



220488



220937

**Note:** Gas pressure values are set automatically by the system when the process is chosen. The arc voltage settings in these cut charts were measured with a lead length of 30.5 meters (100 feet). Adjustments to arc voltage settings may be needed for shorter lead lengths.

**Metric**

Plasma Cutflow				Shield Cutflow				Material Thickness	Arc Voltage	Cut Height	Cutting Speed	Pierce Height		Pierce Delay
7.6 m Lead	15.3 m Lead	22.9 m Lead	30.5 m Lead	7.6 m Lead	15.3 m Lead	22.9 m Lead	30.5 m Lead					mm	Factor %	
52	54	55	56	48	50	54	58	4.0	148	2.7	6200	5.4	200	0.4
								6.0	150	3.0	5500	6.0	200	0.4
								10.0	150	3.2	4120	6.4	200	0.5
								12.0	152	3.2	3320	6.4	200	0.8
								15.0	157	3.8	2400	7.6	200	0.8
								20.0	164	4.9	1440	9.8	200	1.0
								25.0	168	5.6	1040	11.8	210	1.6
								32.0	174	5.6	500	Edge start		
								38.0	180	5.6	305			
								50.0	188	5.6	210			

**English**

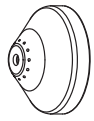
Plasma Cutflow				Shield Cutflow				Material Thickness	Arc Voltage	Cut Height	Cutting Speed	Pierce Height		Pierce Delay
25 ft Lead	50 ft Lead	75 ft Lead	100 ft Lead	25 ft Lead	50 ft Lead	75 ft Lead	100 ft Lead					in	Factor %	
52	54	55	56	48	50	54	58	3/16	149	0.11	240	0.22	200	0.4
								1/4	150	0.12	210	0.24	200	0.4
								3/8	150	0.13	170	0.25	200	0.5
								1/2	153	0.13	120	0.25	200	0.8
								5/8	159	0.16	85	0.32	200	0.8
								3/4	163	0.19	60	0.38	200	1.0
								7/8	166	0.21	50	0.42	200	1.4
								1	168	0.22	40	0.45	210	1.6
								1-1/4	174	0.22	20	Edge start		
								1-1/2	180	0.22	12			
2	188	0.22	8											

\*with IHS tab / \*\*without IHS tab

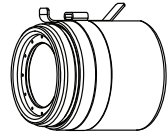
## Operation

### Stainless steel N<sub>2</sub> Plasma / N<sub>2</sub> Shield 200 A Cutting

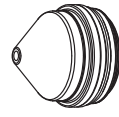
Flow rates – lpm/scfh	
N <sub>2</sub> (Plasma)	N <sub>2</sub> (Shield)
37/79	107/225



420045



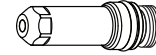
220936\* / 220935\*\*



420044



220529



020415

**Note:** Gas pressure values are set automatically by the system when the process is chosen. The arc voltage settings in these cut charts were measured with a lead length of 30.5 meters (100 feet). Adjustments to arc voltage settings may be needed for shorter lead lengths.

### Metric

Plasma Cutflow				Shield Cutflow				Material Thickness	Arc Voltage	Cut Height	Cutting Speed	Pierce Height		Pierce Delay
7.6 m Lead	15.3 m Lead	22.9 m Lead	30.5 m Lead	7.6 m Lead	15.3 m Lead	22.9 m Lead	30.5 m Lead					mm	Volts	
69	70	71	72	42	45	48	51	5.0	156	3.2	4460	6.4	200	0.4
								6.0	159	3.2	3980	6.4	200	0.4
								10.0	160	3.2	2900	6.4	200	0.5
								12.0	162	3.2	2260	6.4	200	0.8
								15.0	165	3.4	1760	7.9	230	0.9
								20.0	172	4.2	1190	10.1	240	1.1
								25.0	185	6.4	790	11.4	180	2.0
								32.0	191	6.4	520	Edge start		
38.0	197	6.4	310	Edge start										

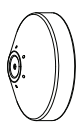
### English

Plasma Cutflow				Shield Cutflow				Material Thickness	Arc Voltage	Cut Height	Cutting Speed	Pierce Height		Pierce Delay
25 ft Lead	50 ft Lead	75 ft Lead	100 ft Lead	25 ft Lead	50 ft Lead	75 ft Lead	100 ft Lead					in	Volts	
69	70	71	72	42	45	48	51	3/16	159	0.13	180	0.25	200	0.4
								1/4	159	0.13	150	0.25	200	0.4
								3/8	160	0.13	120	0.25	200	0.5
								1/2	163	0.13	80	0.25	200	0.8
								5/8	166	0.14	65	0.32	230	0.9
								3/4	170	0.16	50	0.38	240	1.0
								7/8	178	0.19	40	0.38	200	1.5
								1	186	0.25	30	0.45	180	2.0
								1-1/4	191	0.25	21	Edge start		
1-1/2	197	0.25	12	Edge start										

\*with IHS tab / \*\*without IHS tab

**Aluminum**  
Air Plasma / Air Shield  
50 A Cutting

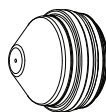
Flow rates – lpm/scfh	
Air (Plasma)	Air (Shield)
12/25	104/218



220532



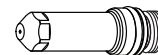
220936\* / 220935\*\*



220890



220529



220528

**Note:** Gas pressure values are set automatically by the system when the process is chosen. The arc voltage settings in these cut charts were measured with a lead length of 30.5 meters (100 feet). Adjustments to arc voltage settings may be needed for shorter lead lengths.

**Metric**

Plasma Cutflow				Shield Cutflow				Material Thickness	Arc Voltage	Cut Height	Cutting Speed	Pierce Height		Pierce Delay
7.6 m Lead	15.3 m Lead	22.9 m Lead	30.5 m Lead	7.6 m Lead	15.3 m Lead	22.9 m Lead	30.5 m Lead					mm	Volts	
62	63	63	63	39	42	45	47	0.5	112	1.5	8000	3.0	200	0.0
								0.8	113	1.6	7750	3.2	200	0.0
								1.0	114	1.8	7115	3.6	200	0.1
								1.2	114	1.8	6350	3.6	200	0.1
								1.5	115	1.8	5335	3.6	200	0.1
								2.0	120	2.0	4200	4.0	200	0.1
								2.5	123	2.0	3300	4.0	200	0.2
								3.0	124	2.0	2800	4.0	200	0.3
								4.0	125	2.2	2300	4.4	200	0.4
								6.0	130	2.5	1400	4.6	180	0.5

**English**

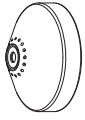
Plasma Cutflow				Shield Cutflow				Material Thickness	Arc Voltage	Cut Height	Cutting Speed	Pierce Height		Pierce Delay
25 ft Lead	50 ft Lead	75 ft Lead	100 ft Lead	25 ft Lead	50 ft Lead	75 ft Lead	100 ft Lead					in	Volts	
62	63	63	63	39	42	45	47	0.018	112	0.06	325	0.12	200	0.0
								0.020	112	0.06	315	0.12	200	0.0
								0.024	112	0.06	305	0.12	200	0.0
								0.030	113	0.06	295	0.12	200	0.1
								0.036	114	0.07	280	0.14	200	0.1
								0.048	114	0.07	230	0.14	200	0.2
								0.060	115	0.07	195	0.14	200	0.2
								0.075	120	0.08	160	0.16	200	0.2
								0.105	123	0.08	120	0.16	200	0.3
								0.125	124	0.08	100	0.16	200	0.3
								3/16	126	0.09	75	0.18	200	0.4
								1/4	131	0.10	50	0.18	180	0.5

\*with IHS tab / \*\*without IHS tab

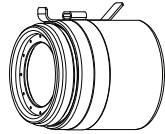
## Operation

### Aluminum Air Plasma / Air Shield 130 A Cutting

Flow rates – lpm/scfh	
Air (Plasma)	Air (Shield)
33/70	69/145



220536



220936\* / 220935\*\*



220892



220488



220487

**Note:** Gas pressure values are set automatically by the system when the process is chosen. The arc voltage settings in these cut charts were measured with a lead length of 30.5 meters (100 feet). Adjustments to arc voltage settings may be needed for shorter lead lengths.

### Metric

Plasma Cutflow				Shield Cutflow				Material Thickness	Arc Voltage	Cut Height	Cutting Speed	Pierce Height		Pierce Delay
7.6 m Lead	15.3 m Lead	22.9 m Lead	30.5 m Lead	7.6 m Lead	15.3 m Lead	22.9 m Lead	30.5 m Lead					mm	Volts	
68	69	70	71	22	24	26	28	6.0	156	2.8	2370	5.6	200	0.2
								10.0	161	3.0	1470	6.0	200	0.3
								12.0	163	3.0	1230	6.0	200	0.5
								15.0	165	3.2	1050	6.4	200	0.8
								20.0	169	3.6	725	7.9	220	1.3
								25.0	175	4.0	525	Edge start		

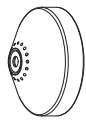
### English

Plasma Cutflow				Shield Cutflow				Material Thickness	Arc Voltage	Cut Height	Cutting Speed	Pierce Height		Pierce Delay
25 ft Lead	50 ft Lead	75 ft Lead	100 ft Lead	25 ft Lead	50 ft Lead	75 ft Lead	100 ft Lead					in	Volts	
68	69	70	71	22	24	26	28	1/4	156	0.11	90	0.22	200	0.2
								3/8	160	0.12	60	0.24	200	0.3
								1/2	164	0.12	45	0.24	200	0.5
								5/8	166	0.13	40	0.26	200	0.8
								3/4	168	0.14	30	0.31	220	1.3
								1	176	0.16	20	Edge start		

\*with IHS tab / \*\*without IHS tab

**Aluminum**  
N<sub>2</sub> Plasma / N<sub>2</sub> Shield  
130 A Cutting

Flow rates – lpm/scfh	
N <sub>2</sub> (Plasma)	N <sub>2</sub> (Shield)
32/68	104/218



220536



220936\* / 220935\*\*



220892



220529



020415

**Note:** Gas pressure values are set automatically by the system when the process is chosen. The arc voltage settings in these cut charts were measured with a lead length of 30.5 meters (100 feet). Adjustments to arc voltage settings may be needed for shorter lead lengths.

**Metric**

Plasma Cutflow				Shield Cutflow				Material Thickness	Arc Voltage	Cut Height	Cutting Speed	Pierce Height		Pierce Delay
7.6 m Lead	15.3 m Lead	22.9 m Lead	30.5 m Lead	7.6 m Lead	15.3 m Lead	22.9 m Lead	30.5 m Lead					mm	Volts	
68	69	70	71	36	39	42	44	5.0	153	3.0	3140	6.1	200	0.2
								6.0	154	3.0	2980	6.1	200	0.2
								10.0	158	3.3	1830	6.6	200	0.3
								12.0	160	3.3	1510	6.6	200	0.5
								15.0	162	3.6	1120	7.1	200	0.8
								20.0	166	3.9	470	8.7	220	1.4

**English**

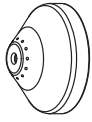
Plasma Cutflow				Shield Cutflow				Material Thickness	Arc Voltage	Cut Height	Cutting Speed	Pierce Height		Pierce Delay
25 ft Lead	50 ft Lead	75 ft Lead	100 ft Lead	25 ft Lead	50 ft Lead	75 ft Lead	100 ft Lead					in	Volts	
68	69	70	71	36	39	42	44	3/16	153	0.12	125	0.24	200	0.2
								1/4	154	0.12	115	0.24	200	0.2
								3/8	158	0.13	75	0.26	200	0.3
								1/2	160	0.13	55	0.26	200	0.5
								5/8	163	0.14	40	0.28	200	0.8
								3/4	165	0.15	25	0.33	220	1.3

\*with IHS tab / \*\*without IHS tab

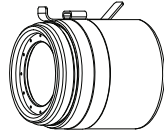
## Operation

### Aluminum Air Plasma / Air Shield 200 A Cutting

Flow rates – lpm/scfh	
Air (Plasma)	Air (Shield)
32/68	123/260



420045



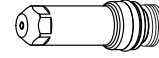
220936\* / 220935\*\*



420044



220488



220937

**Note:** Gas pressure values are set automatically by the system when the process is chosen. The arc voltage settings in these cut charts were measured with a lead length of 30.5 meters (100 feet). Adjustments to arc voltage settings may be needed for shorter lead lengths.

### Metric

Plasma Cutflow				Shield Cutflow				Material Thickness	Arc Voltage	Cut Height	Cutting Speed	Pierce Height		Pierce Delay
7.6 m Lead	15.3 m Lead	22.9 m Lead	30.5 m Lead	7.6 m Lead	15.3 m Lead	22.9 m Lead	30.5 m Lead					mm	Volts	
52	54	55	56	48	50	54	58	4.0	150	2.2	6215	4.4	200	0.5
								6.0	156	3.0	5195	6.0	200	0.5
								10.0	156	3.3	3930	6.6	200	0.5
								12.0	159	3.7	3370	7.4	200	0.5
								15.0	163	4.0	2625	8.0	200	0.8
								20.0	169	4.9	1625	9.8	200	1.0
								25.0	177	5.6	1050	11.4	210	1.4
								32.0	187	5.6	515	11.4	210	1.7
38.0	195	5.6	310	Edge start										

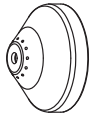
### English

Plasma Cutflow				Shield Cutflow				Material Thickness	Arc Voltage	Cut Height	Cutting Speed	Pierce Height		Pierce Delay
25 ft Lead	50 ft Lead	75 ft Lead	100 ft Lead	25 ft Lead	50 ft Lead	75 ft Lead	100 ft Lead					in	Volts	
52	54	55	56	48	50	54	58	3/16	150	0.10	230	0.20	200	0.5
								1/4	158	0.13	200	0.25	200	0.5
								3/8	155	0.13	160	0.25	200	0.5
								1/2	160	0.15	125	0.30	200	0.5
								5/8	164	0.16	95	0.32	200	0.8
								3/4	168	0.19	70	0.38	200	1.0
								7/8	173	0.21	50	0.42	200	1.2
								1	178	0.22	40	0.45	210	1.4
								1-1/4	187	0.22	20	0.45	210	1.7
1-1/2	195	0.22	12	Edge start										

\*with IHS tab / \*\*without IHS tab

**Aluminum**  
N<sub>2</sub> Plasma / N<sub>2</sub> Shield  
200 A Cutting

Flow rates – lpm/scfh	
N <sub>2</sub> (Plasma)	N <sub>2</sub> (Shield)
37/79	107/225



420045



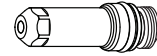
220936\* / 220935\*\*



420044



220529



020415

**Note:** Gas pressure values are set automatically by the system when the process is chosen. The arc voltage settings in these cut charts were measured with a lead length of 30.5 meters (100 feet). Adjustments to arc voltage settings may be needed for shorter lead lengths.

**Metric**

Plasma Cutflow				Shield Cutflow				Material Thickness	Arc Voltage	Cut Height	Cutting Speed	Pierce Height		Pierce Delay
7.6 m Lead	15.3 m Lead	22.9 m Lead	30.5 m Lead	7.6 m Lead	15.3 m Lead	22.9 m Lead	30.5 m Lead					mm	Volts	
69	70	71	72	42	45	48	51	5.0	164	3.2	4770	6.4	200	0.5
								6.0	165	3.2	4530	6.4	200	0.5
								10.0	165	3.2	3930	6.4	200	0.5
								12.0	164	3.2	3370	6.4	200	0.5
								15.0	169	4.1	2620	8.1	200	0.8
								20.0	179	5.1	1630	10.2	200	1.2
								25.0	189	6.4	1050	Edge start		
								32.0	198	6.4	500			
								38.0	206	6.4	310			

**English**

Plasma Cutflow				Shield Cutflow				Material Thickness	Arc Voltage	Cut Height	Cutting Speed	Pierce Height		Pierce Delay
25 ft Lead	50 ft Lead	75 ft Lead	100 ft Lead	25 ft Lead	50 ft Lead	75 ft Lead	100 ft Lead					in	Volts	
69	70	71	72	42	45	48	51	3/16	165	0.13	190	0.25	200	0.5
								1/4	165	0.13	175	0.25	200	0.5
								3/8	165	0.13	160	0.25	200	0.5
								1/2	164	0.13	125	0.25	200	0.5
								5/8	171	0.16	95	0.32	200	0.8
								3/4	177	0.19	70	0.38	200	1.0
								7/8	183	0.25	50	0.45	180	1.5
								1	190	0.25	40	Edge start		
								1-1/4	198	0.25	20			
								1-1/2	206	0.25	12			

\*with IHS tab / \*\*without IHS tab


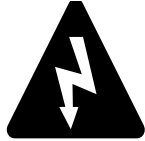




### Introduction

Hypertherm assumes that the service personnel performing the troubleshooting testing are high-level electronic service technicians who have worked with high-voltage electro-mechanical systems. Knowledge of final isolation troubleshooting techniques is also assumed.

In addition to being technically qualified, maintenance personnel must perform all testing with safety in mind. Refer to the Safety section for operating precautions and warning formats.

		<b>CAUTION!</b>
<p>Use extreme care when working near the chopper modules. Each large electrolytic capacitor (blue-cased cylinder) stores large amounts of electrical energy. Even if the power is off, dangerous voltages may remain at the capacitor terminals, on the chopper, and the diode heatsinks. Never discharge any capacitor with a screwdriver or other implement... explosion, property damage and/or personal injury will result.</p>		

### Preventive maintenance

For a complete list of preventive maintenance recommendations, see the *MAXPRO200 Preventive Maintenance Program Instruction Manual* (808800). Contact the Technical Services department listed at the front of this manual with any questions regarding the maintenance schedule or procedures.

### Power supply state

The state of the power supply is shown in the three digit display. To view the power supply state, navigate to the fault icon and press and hold the current selection knob until the state appears.

State number	Name
00	Power up
01	Initial checks
02	Gas purge
03	Ready for start
04	Preflow
05	Preflow hold
06	Ignite
07	Pilot arc
08	Rampup
09	Main arc
10	Rampdown
11	Rampdown complete
12	End of cycle
14	Shutdown
17	Standby

## Sequence of operation and power supply state

### Power up (state 00)

1. Initialization of microprocessor hardware.
2. Initialization of power supply, gas system, and display.
3. System will display dots on the current display.
4. System will look for shield gas button press to indicate USB host firmware update.
5. System will stay in this state until the rocker switch is turned on.

### Initial checks (state 01)

1. System will turn on the plasma gas channel at 100% flow and will measure the pressure. The system will use this value as the inlet pressure. If the inlet is above or below the minimum, the system will generate error code 63.
2. System will read the torch ID jumpers, and verify it's a valid ID. If no torch ID is detected the system will generate error code 99.
3. System will perform a chopper test, verifying there is no output.
  - a. Main contactor off (open), IGBTs off
    - If there is current on channel A the system will generate error code 401
    - If there is current on channel B the system will generate error code 402
    - If there is current on both channels the system will generate error code 400
  - b. Main contactor on (closed), IGBTs off
    - If there is current on channel A the system will generate error code 406
    - If there is current on channel B the system will generate error code 407
    - If there is current on both channels the system will generate error code 408
4. System will verify that there is
  - a. No transfer signal or the system will generate error code 108
  - b. No start signal or the system will generate error code 50
  - c. No coolant flow or the system will generate error code 109
5. System will verify that
  - a. Temperatures are above the minimum
    - Chopper temperature is above minimum or the system will generate error code 300
    - Transformer temperature is above minimum or the system will generate error code 301
    - Inductor 1 temperature is above minimum or the system will generate error code 302
    - Inductor 2 temperature is above minimum or the system will generate error code 303
    - Coolant temperature is above minimum or the system will generate error code 304
  - b. Temperatures are below the maximum values.
    - Chopper temperature is below maximum or the system will generate error code 65
    - Transformer temperature is below maximum or the system will generate error code 67
    - Inductor 1 temperature is below maximum or the system will generate error code 68
    - Inductor 2 temperature is below maximum or the system will generate error code 69
    - Coolant temperature is below maximum or the system will generate error code 71
6. After about 1 second the system will advance to state 2 (Gas purge) if there are no high priority errors (See *Error codes* on page 129). If a high priority error is generated the system will go to state number 14 (Shutdown).

### Gas purge (state 02)

1. System turns on the plasma and shield gases.
2. System counts the time in seconds and this is displayed on the 3-digit current display.
3. System turns on the coolant pump.
4. After six seconds the system will verify the coolant flow is greater than the minimum value.
5. If the coolant flow is above the minimum the system will do a high power test on the chopper.
  - Note:** the system is “live” at this time. The system is applying power to the torch even though no arc will be present at the torch.
6. Chopper LEM Test
  - a. Main contactor closed, IGBTs on
    - If there is no current on channel A the system will generate error code 409
    - If there is no current on channel B the system will generate error code 410
    - If there is no current on both channels the system will generate error code 408
  - b. Main contactor closed, IGBTs on
    - If channel A current does not go to 0 the system will generate error code 411
    - If channel B current does not go to 0 the system will generate error code 412
    - If the current on both channels does not go to 0 the system will generate error code 413
  - c. Main contactor closed, IGBTs on
    - Channel A current detected on channel B input the system will generate error code 415
    - Channel B current detected on channel A input the system will generate error code 416
    - Channel A current detected on channel B input and Channel B current detected on channel A input the system will generate error code 414
  - d. Main contactor closed, IGBTs on
    - Channel A current higher than expected: the system will generate error code 417
    - Channel B current higher than expected: the system will generate error code 418
    - Both channels current higher than expected: the system will generate error code 419
7. If the chopper test is successful and there are no other severe errors the system will advance to state 3 (Ready for start), otherwise the system will go to state 14 (Shutdown).

### Ready for start (state 03)

1. System is waiting for a plasma start signal.
2. System is monitoring the over-current signals, and over-temperature conditions.
  - Chopper temperature in range or the system will generate error code 65
  - Transformer temperature in range or the system will generate error code 67
  - Inductor 1 temperature in range or the system will generate error code 68
  - Inductor 2 temperature in range or the system will generate error code 69
  - Coolant temperature in range or the system will generate error code 71
  - Chopper A over-current: the system will generate error code 134
  - Chopper B over-current: the system will generate error code 138
3. System is monitoring the pilot arc duty cycle to ensure it is less than 50%.
4. Diagnostic mode is active, the system will perform the function for the mode that is selected.
  - a. Test gas – the plasma and shield gases flow at a set value
  - b. Revision – the display will show the software revision

- c. Plasma leak check – the plasma channel will be pressurized then the pressure trapped. The display on the power supply control panel will show actual pressures. The system will remain in this state until commanded to another test. The pressure in the plasma channel is expected to remain within 2 psi for a period of 5 minutes. The shield gas channel is expected to drop to near 0 psi.
  - d. Test gas full pressure – plasma and shield gases flow at full pressure. Low pressure errors will be typical in this mode as the system is attempting to achieve the maximum flow possible.
  - e. Torch ID – the display on the power supply control panel will show the torch ID
  - f. In-line valve test – the plasma channel will briefly pressurize, then the system will close the Burkert valve in the power supply and open the in-line torch valve. The plasma pressure is expected to drop to near 0 psi (less than 5 psi), in less than 30 seconds.
5. If a plasma start signal is received and there are no temperature errors, the system will advance to state 4 – Preflow.

**Preflow (state 04)**

1. System will turn on plasma and shield gases.
2. System will verify gas pressures are above the minimum and below the maximum values.
  - Low plasma pressure: the system will generate error code 44
  - High plasma pressure: the system will generate error code 45
  - Low shield pressure: the system will generate error code 53
  - High shield pressure: the system will generate error code 54
3. System will charge the surge injection circuit.
4. System will check for an over-current condition.
  - Chopper A over-current: the system will generate error code 134
  - Chopper B over-current: the system will generate error code 138
5. After 1 second the system will advance to state 5 (Preflow hold).

**Preflow hold (state 05)**

1. System will continue running the plasma and shield gas until the hold signal is removed.
2. System will verify the gas pressures are within tolerance.
  - Low plasma pressure: the system will generate error code 44
  - High plasma pressure: the system will generate error code 45
  - Low shield pressure: the system will generate error code 53
  - High shield pressure: the system will generate error code 54
3. System will check for an over-current condition.
  - Chopper A over-current: the system will generate error code 134
  - Chopper B over-current: the system will generate error code 138
4. If the hold signal is active for more than 60 seconds, the system will generate error code 32.
5. When the hold signal is removed the system will advance to state 6 (Ignite).

### Ignite (state 06)

1. System will execute the ignition sequence by turning off the torch valve, then turning on the High Frequency. The system will turn on the torch valve again, while continuing to activate the High Frequency.
2. The system will monitor for pilot arc current. If pilot arc current is not detected, the ignition sequence will be repeated up to 5 times, after that the system will have error code 20 (Pilot arc fault) and advance to state 11 (Rampdown Complete).
3. System will check for an over-current condition.
  - Chopper A over-current: the system will generate error code 134
  - Chopper B over-current: the system will generate error code 138
4. If chopper current is detected during the sequence the system will advance to state 7 (Pilot Arc).

### Pilot arc (state 07)

1. System will display actual gas pressures on the 2-digit pressure displays.
2. System will verify the gas pressures are within tolerance.
  - Low plasma pressure: the system will generate error code 44
  - High plasma pressure: the system will generate error code 45
  - Low shield pressure: the system will generate error code 53
  - High shield pressure: the system will generate error code 54
3. System will check for over-current.
  - Chopper A over-current: the system will generate error code 134
  - Chopper B over-current: the system will generate error code 138
4. System will check for minimum coolant flow. If it is below minimum the system will generate error code 93.
5. System will check for minimum chopper current. If it is below minimum the system will generate error code 24 (Lost Current Fault).
6. System will check for the arc transfer signal, once it is active the system will advance to state 8, (Rampup).
7. If the transfer signal is not present within 0.5 seconds (Mechanized) or 5.0 seconds (Hand torch) the system will have error code 21 (Transfer fault) and advance to state 11 (Rampdown complete).

### Rampup (state 08)

1. System will ramp up the current based on the process parameters.
2. System will verify the gas pressures are within tolerance.
  - Low plasma pressure: the system will generate error code 44
  - High plasma pressure: the system will generate error code 45
  - Low shield pressure: the system will generate error code 53
  - High shield pressure: the system will generate error code 54
3. System will check for over-current.
  - Chopper A over-current: the system will generate error code 134
  - Chopper B over-current: the system will generate error code 138
4. Once the ramp up is finished the system will advance to state 9 (Main arc).

### Main arc (state 09)

1. System will display actual current and pressures.
2. System will verify the gas pressures are within tolerance.
  - Low plasma pressure and the system will generate error code 44
  - High plasma pressure and the system will generate error code 45

- Low shield pressure: the system will generate error code 53
  - High shield pressure: the system will generate error code 54
3. System will check for over-current.
    - Chopper A over-current: the system will generate error code 134
    - Chopper B over-current: the system will generate error code 138
  4. System will check for minimum coolant flow, error code 93.
  5. System will check the bus voltage (equivalent to Line voltage).
    - Bus voltage high: the system will generate error code 5
    - Bus voltage low: the system will generate error code 6
  6. System will check for phase loss (error code 27).
  7. System will check for over-temperature conditions.
    - Chopper overtemperature: the system will generate error code 65
    - Transformer overtemperature: the system will generate error code 67
    - Inductor 1 overtemperature: the system will generate error code 68
    - Inductor 2 overtemperature: the system will generate error code 69
    - Coolant overtemperature: the system will generate error code 71
  8. System will check for lost chopper current – error code 24 (Lost Current Fault).
  9. System will check for lost transfer – error code 26 (Lost Transfer Fault).
  10. If the plasma start signal is removed the system will advance to state 10 (Rampdown).

### **Rampdown (state 10)**

1. System will shut off the plasma and shield gases.
2. System will rampdown the current.
3. When the system reaches the final current, it will advance to state 11 (Rampdown Complete).

### **Rampdown complete (state 11)**

1. Ensure all power supply outputs are off except the main contactor.
2. Advance to state 12 (End of Cycle).

### **End of cycle (state 12)**

1. Turn on plasma and shield gases for postflow.
2. System will verify coolant flow is above the minimum (error code 93).
3. System will verify the plasma start signal is off.
4. Once the plasma start signal is off the system will advance to state 3 (Ready for start).

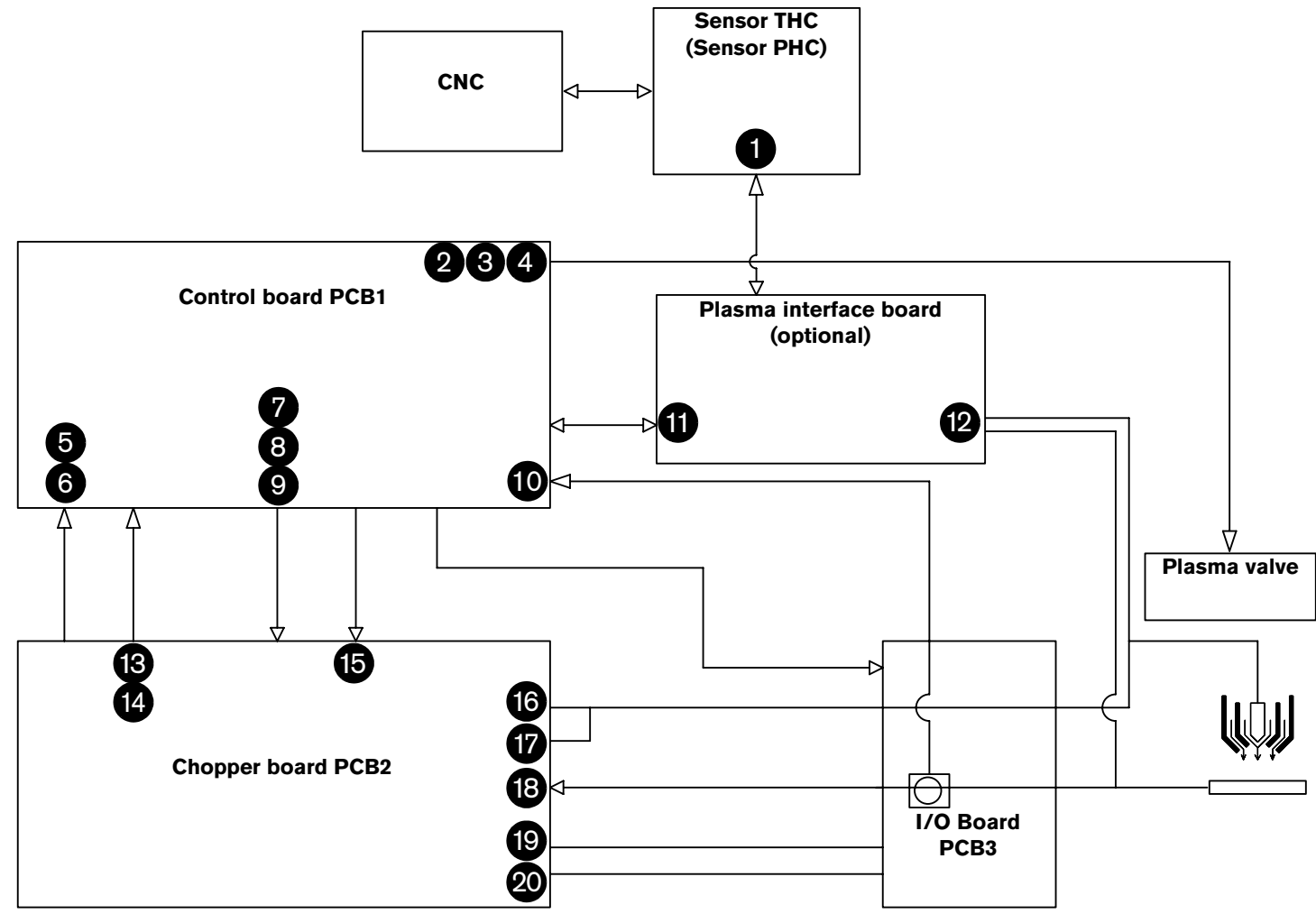
### **Shutdown (state 14)**

1. System will turn off all power supply, coolant, and gas outputs.

### **Standby (state 17)**

1. If the rocker switch is turned off the system will enter the standby state.
2. When the rocker switch is turned on the system will advance to state 0 (Power up).

**Block diagram**



- |                                      |                                |                                   |                               |
|--------------------------------------|--------------------------------|-----------------------------------|-------------------------------|
| <b>1</b> CNC interface cable         | <b>6</b> Chopper temperature   | <b>11</b> Machine interface cable | <b>16</b> Chopper A output    |
| <b>2</b> Torch valve                 | <b>7</b> PWM A and PWM B       | <b>12</b> Arc voltage             | <b>17</b> Chopper B output    |
| <b>3</b> Trigger switch (hand torch) | <b>8</b> Pilot arc enable      | <b>13</b> Chopper A current       | <b>18</b> Work lead           |
| <b>4</b> Lead length ID              | <b>9</b> High frequency enable | <b>14</b> Chopper B current       | <b>19</b> Pilot arc collector |
| <b>5</b> Bus voltage                 | <b>10</b> Transfer             | <b>15</b> Chopper power           | <b>20</b> Pilot arc emitter   |

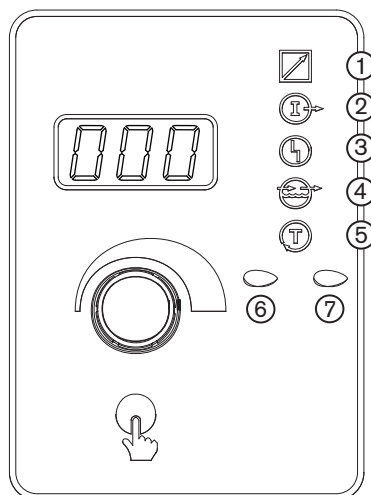


## Error codes

When the fault indicator is illuminated the error code number can be seen in the three digit display.

There are three general types of error codes:

- Self clearing – An overtemperature error, for example, will clear when the power supply cools off.
- Low priority – The user must select the fault icon and press the current selection knob to see the error code. This type of error can be cleared with the start signal.
- High priority – The system will automatically select the fault icon and show the error code. This type of error requires the power to the system to be turned off and then on again, after the cause of the error has been corrected.



3-digit display icons	
Name	Description
1 Remote	The remote icon illuminates when there is serial communication with the power supply. You can still cycle through the functions but cut parameters can only be changed through the CNC.
2 Amps	Increase or decrease the amperage by selecting the amps icon and turning the knob. The current increases or decreases in 1 amp increments when you turn the knob slowly. You can jump from one process amperage to another when you turn the knob quickly.
3 Fault	The fault icon illuminates when an error occurs.  If the error code number is 60 or less, press the current selection knob to navigate to the illuminated fault icon. When the fault icon is selected the error code appears in the 3-digit display.  If the error code is 60 or greater the system automatically selects the fault icon and the error code number flashes in the 3-digit display.  Press and hold the current selection knob to see the power supply status number for both types of error code.
4 Coolant flow	When the coolant flow icon is selected the display shows the coolant flow in gallons per minute. When you turn ON the power to the system and select the coolant flow icon before the power supply finishes the purge count, the flow switch is overridden and coolant will continue to flow for 30 seconds.
5 Test	When test icon is selected the system is in test mode. A number of functions can be accessed by turning the current selection knob. See the maintenance section for detailed information.
6 Plasma start lamp	This white lamp illuminates when the plasma start signal is given and stays illuminated until the start signal is removed.
7 Arc transfer lamp	This green lamp illuminates when the arc transfers to the workpiece.

### Diagnostic functions

Press and release the current selection knob until the Test icon in the 3-digit display is selected. Turn the current selection knob to access the functions shown in the table below. The function activates when the function number appears in the 3-digit display.

Function	Description
000	No function. Gases will stop flowing if the system was in another test mode.
001	Flow gas at set pressure. Plasma and shield gases flow at the set value.
002	Display software revision. Shows the current software revision of the power supply.
003	Plasma gas leak check. The plasma channel is pressurized and the pressure trapped. The 3-digit display shows the actual pressure. The system remains in this state until you select another function or return to cutting. The pressure in the plasma channel should remain stable (+/- 2 psi) for 5 minutes. The shield gas channel should drop to near zero psi (less than 5 psi).
004	Flow gas at full pressure. The plasma and shield gases flow at full pressure. It is typical to see low pressure errors during this function because the system is attempting to achieve the maximum flow possible. Function 4 is used when setting the supply gas regulators.
005	Display torch ID. The torch ID indicates the lead length that is connected to the system.
006	In-line valve check. The plasma channel is pressurize, the system closes the Burkert valve and opens the in-line torch valve. The plasma pressure is expected to drop to near zero psi (less than 5 psi) in less than 30 seconds.

## Troubleshooting table

Number	Name	Description	Corrective action
000	No Error	System is ready to run	None
005	Low line voltage	Line voltage is close to or less than the lower limit of 102 VAC (120 VAC -15%). The normal lower limit for operation is 108 VAC (120 VAC -10%).	<p>Verify the line voltage at the control transformer and the fuses on the control board. The chopper bus voltage should be 360 VDC nominal.</p> <ol style="list-style-type: none"> <li>1. If the voltage is good, use a multimeter to measure across TP102 (gnd) and TP 111 (isolated bus voltage) on the chopper.</li> <li>2. If the voltage is 2.1 VDC nominal, replace the control board.</li> <li>3. If the voltage is 0 VDC or 5 VDC, replace the chopper.</li> </ol>
006	High line voltage	Line voltage is close to or greater than the upper limit of 138 VAC (120 VAC +15%). The normal upper limit for operation is 132 VAC (120 VAC +10%).	<p>Verify the line voltage at the control transformer and the fuses on the control board.</p>
020	No pilot arc	No current detected from chopper at ignition and before 1-sec timeout	<ol style="list-style-type: none"> <li>1. Verify that the correct consumable parts are installed and in good condition.</li> <li>2. Perform the gas checks (See <i>Control board</i> on page 146).</li> <li>3. Verify that there is spark across spark gap.</li> <li>4. Inspect CON1 for excessive wear.</li> <li>5. Perform the torch lead test (See <i>Torch lead test</i> on page 157).</li> <li>6. Perform the start circuit test (See <i>Start circuit troubleshooting</i> on page 151).</li> </ol>
021	No arc transfer	For a machine torch, no current detected on work lead 500-msec after pilot arc current was established. For a hand torch, no current detected on work lead 5-sec after pilot arc current was established.	<ol style="list-style-type: none"> <li>1. Verify proper transfer/pierce height.</li> <li>2. Verify proper cutflow settings.</li> <li>3. Inspect the work lead for damage or loose connections.</li> <li>4. Perform the torch lead test (See <i>Torch lead test</i> on page 157).</li> </ol>
024	Lost current on chopper	Lost current from chopper after transfer	<ol style="list-style-type: none"> <li>1. Verify that the correct consumable parts are installed and in good condition.</li> <li>2. Verify proper cutflow gas settings.</li> <li>3. Verify the pierce height setting.</li> <li>4. Verify the pierce delay time.</li> <li>5. Verify that the arc did not lose contact with the plate while cutting (hole cutting, scrap cutting, etc.).</li> </ol>
026	Lost transfer	Lost the transfer signal after transfer completed.	<ol style="list-style-type: none"> <li>1. Verify that the correct consumable parts are installed and in good condition.</li> <li>2. Verify proper cutflow gas settings.</li> <li>3. Verify the pierce height setting.</li> <li>4. Verify pierce delay time.</li> <li>5. Verify that the arc did not lose contact with the plate while cutting (hole cutting, scrap cutting, etc.).</li> <li>6. Inspect the work lead for damage or loose connections.</li> <li>7. Try connecting the work lead directly to the plate.</li> </ol>

## Maintenance

Number	Name	Description	Corrective action
027	Lost phase	Phase imbalance to chopper after contactor engaged or while cutting	<ol style="list-style-type: none"> <li>1. Verify phase-to-phase voltage to power supply.</li> <li>2. Disconnect power to power supply, remove cover on contactor and inspect contacts for excessive wear.</li> <li>3. Inspect power cord, contactor, and input to chopper for loose connections.</li> <li>4. Perform phase loss test. See <i>Phase loss detection</i> on page 156.</li> </ol>
032	Hold timeout	Hold signal was active for longer than 60 seconds	<ol style="list-style-type: none"> <li>1. Check the interface cable for damage. The hold wires may be short-circuiting inside.</li> <li>2. The CNC is maintaining this input, it could be waiting for an IHS complete input from another torch.</li> <li>3. If the CNC interface cable is good and it is a 1-torch system, change the control board.</li> </ol>
044	Low plasma gas pressure	Plasma gas pressure is less than 25% of the set (desired) value	<ol style="list-style-type: none"> <li>1. Inspect gas supply pressure and volume of gas remaining in supply tanks.</li> <li>2. Verify the gas settings on the front panel with the parameters in the cut charts.</li> <li>3. See <i>Setting the supply gas regulators</i> on page 72.</li> <li>4. Perform the Flow gas at set pressure test (001), and verify the gas settings on the front panel with the parameters in the cut charts. See <i>Control board</i> on page 146.</li> </ol>
045	High plasma gas pressure	Plasma gas pressure is greater than 25% of the set (desired) value	<ol style="list-style-type: none"> <li>1. Verify gas supply pressure settings.</li> <li>2. Perform the Flow gas at set pressure test (001), and verify the gas settings on the front panel with the parameters in the cut charts. See <i>Control board</i> on page 146.</li> <li>3. See <i>Setting the supply gas regulators</i> on page 72.</li> <li>4. The In-line valve may not be opening. Perform the Plasma leak check (003) and the in-line valve check (006). See <i>Control board</i> on page 146.</li> </ol>
050	Start lost/Start at Initialization	Start signal was received and then lost before an arc was established/ Start signal was applied when power was applied to the system	<ol style="list-style-type: none"> <li>1. If a mechanical relay is being used to provide the system with a start signal, this relay is either bouncing when activated or the contacts are faulty. Replace the relay.</li> <li>2. Inspect the interface cable for damage; faulty crimps, or poor electrical connections.</li> <li>3. If the interface cable is good and a relay is not driving the start input, the CNC is dropping the start signal before a steady state arc has been established.</li> <li>4. Remove the start signal from the CNC or THC and turn the system on again.</li> </ol> <p>NOTE: It is normal to see an 050 error when cutting with the hand torch if the start signal is removed before the pilot arc time (5 seconds) has expired.</p>
051	Pilot Arc Over-temp	Maximum pilot arc duration exceeded	<ol style="list-style-type: none"> <li>1. Allow the power supply to idle with the fans running for 10 seconds.</li> <li>2. Verify that the pierce height is correct.</li> <li>3. Minimize pilot arcing off the plate.</li> </ol>

Number	Name	Description	Corrective action
053	Low shield gas pressure	Shield gas pressure is less than 25% of the set (desired) value	<ol style="list-style-type: none"> <li>1. Verify gas supply pressure and that sufficient gas remains in your supply.</li> <li>2. Perform the Flow gas at set pressure test (001), and verify the gas settings on the front panel with the parameters in the cut charts. See <i>Control board</i> on page 146.</li> <li>3. See <i>Setting the supply gas regulators</i> on page 72.</li> </ol>
054	High shield gas pressure	Shield gas pressure is 25% greater than the set (desired) value	<ol style="list-style-type: none"> <li>1. Check for a restriction or dross on the shield cap</li> <li>2. Perform the Flow gas at set pressure test (001), and verify the gas settings on the front panel with the parameters in the cut charts. See <i>Control board</i> on page 146.</li> <li>3. Verify that the pressure transducers are providing the system with the proper pressures.</li> </ol>
060	Low coolant flow	Coolant flow is less than the required 2.3 lpm (0.6 gpm)	<ol style="list-style-type: none"> <li>1. Verify that the correct consumables are properly installed.</li> <li>2. Perform the coolant flow test procedure. See <i>Coolant flow test</i> on page 142.</li> </ol>
063	Inlet Pressure Fault	Inlet pressure measured was greater than 135 or less than 40 psi	Verify that the input pressures at the regulators are in range.
065	Chopper over-temp at power-up	Chopper is indicating an over-temp at power-up	<ol style="list-style-type: none"> <li>1. Verify that the heat exchanger fan is spinning.</li> <li>2. Blow dust out the heat exchanger with compressed air to clean off the fins.</li> <li>3. Verify that the level of coolant is at the proper height.</li> <li>4. Verify that the coolant mixture is correct (% propylene glycol). A mixture with a high percentage of propylene glycol will have a lower cooling capacity.</li> <li>5. Change the consumables. Older consumables emit more heat into the cooling loop.</li> <li>6. Verify the pump flow rate. If it is less than 2.3 lpm (0.6 GPM) troubleshoot the low flow rate issue.</li> </ol>
067	Magnetics over temp	Main transformer has over heated	<ol style="list-style-type: none"> <li>1. Verify that the magnetics fan is operating properly. Spinning fan blades should be difficult to see.</li> <li>2. Blow dust out of the system especially from fans and the main transformer.</li> <li>3. If voltage is low or near 0 VDC, inspect wiring between the transformer's temperature sensor and J1.12, pins 1 and 2 on the control board. Look for shorts between wires or to ground.</li> <li>4. If wiring is good, the transformer has overheated. Allow the power supply to idle with the fans running for a minimum of 30 minutes to cool the main transformer.</li> </ol>

## Maintenance

Number	Name	Description	Corrective action
068	Inductor A over temp	Inductor has over heated	<ol style="list-style-type: none"> <li>1. Verify that the magnetics fan is operating properly. Spinning fan blades should be difficult to see.</li> <li>2. Blow dust out of the system especially from fans and inductors.</li> <li>3. If voltage is low or near 0 VDC, inspect wiring between inductor A's temperature sensor and J1.12, pins 4 and 5 on the control board. Look for shorts between wires or to ground.</li> <li>4. If wiring is good, the inductor has overheated. Allow the power supply to idle with the fans running for a minimum of 30 minutes to cool the inductors.</li> </ol>
069	Inductor B over temp	Inductor has over heated	<ol style="list-style-type: none"> <li>1. Verify that the magnetics fan is operating properly. Spinning fan blades should be difficult to see.</li> <li>2. Blow dust out of the system especially from fans and inductors.</li> <li>3. If voltage is low or near 0 VDC, inspect wiring between inductor B's temperature sensor and J1.12, pins 7 and 8 on the control board. Look for shorts between wires or to ground.</li> <li>4. If wiring is good, the inductor has overheated. Allow the power supply to idle with the fans running for a minimum of 30 minutes to cool the inductors.</li> </ol>
071	Coolant over temp	Torch coolant has overheated	<ol style="list-style-type: none"> <li>1. Verify that the heat exchanger fan is spinning.</li> <li>2. Blow dust out the heat exchanger with compressed air to clean off the fins.</li> <li>3. Verify that the level of coolant is at the proper height.</li> <li>4. Verify that the coolant mixture is correct (% propylene glycol). A mixture with a high percentage of propylene glycol will have a lower cooling capacity.</li> <li>5. Change the consumables. Older consumables emit more heat into the cooling loop.</li> <li>6. Verify the pump Flow rate. If it is less than 0.5 gpm troubleshoot the low flow rate issue.</li> <li>7. Replace the coolant temperature sensor if it is open or shorted. Replacement part number is 229474.</li> </ol>
093	No coolant flow	Coolant flow was below 1.9 lpm (0.5 gpm) while the system was running or the coolant flow was below 1.7 lpm (0.45 gpm) while cutting.	<ol style="list-style-type: none"> <li>1. Verify that the level of coolant is at the proper level.</li> <li>2. Verify that the coolant filter is in good condition. replace if necessary.</li> <li>3. The pump motor may have reached its internal thermal trip point. Make sure the side panel is installed, for proper airflow, and that the heat exchanger fan is working properly.</li> <li>4. Perform the coolant flow test. See <i>Coolant flow test</i> on page 142.</li> <li>5. See the corrective actions for the low coolant flow error (60).</li> </ol>
097	No Torch Found	Torch or torch ID jumper missing or installed incorrectly	<ol style="list-style-type: none"> <li>1. Verify that the torch connection by the I/O panel (CPC plug) is good.</li> <li>2. Verify the pin out on the torch lead connection.</li> </ol>

Number	Name	Description	Corrective action
102	Current Sensor A Fault	A fault was detected on channel A of the chopper	<ol style="list-style-type: none"> <li>1. Turn OFF the line power to the system. Check the wiring between the control board and the chopper for damaged wires and proper connections and then turn ON the line power again so the automatic diagnostic checks will run.</li> <li>2. If the error changes to a 409 error replace the chopper assembly.</li> </ol>
108	Transfer at power-up	The system has detected current on the work lead during power-up	<ol style="list-style-type: none"> <li>1. Verify that the chopper PCB is functioning properly by checking the LEDs on the board against the LED list in the Maintenance section. See <i>Start circuit troubleshooting</i> on page 151.</li> <li>2. Replace the chopper PCB if connections are correct and not damaged.</li> <li>3. Verify that the main contactor (CON1) is not welded closed, or closing at power-up.</li> </ol>
109	Coolant Flow At power-up	Coolant flow measured during power-up and before pump motor has been turned on.	<ol style="list-style-type: none"> <li>1. Verify that the shield cap is properly installed. A loose shield cap can allow shield gas to get into the coolant, and cause a coolant flow error.</li> <li>2. Verify that the torch lead connections are good.</li> <li>3. Turn off the power to the system, wait 30 seconds, and turn the power back on. Sometimes if you turn the power off and then on too quickly it may cause a 109 error.</li> <li>4.</li> </ol>
134	Chopper A over current	Chopper A current exceeded maximum	<ol style="list-style-type: none"> <li>1. Verify that the chopper PCB is functioning properly by checking the LEDs on the board against the LED list in the Maintenance section.</li> <li>2. Turn off the power to the system and then turn it on again to verify that the system passes the initial power up test.</li> <li>3. Verify the current output on J2.1 white to black (4 VDC=100 amps).</li> <li>4. If the wiring is good, the IGBT may have failed. Replace the chopper assembly.</li> </ol>
138	Chopper B over current	Chopper B current has exceeded maximum	<ol style="list-style-type: none"> <li>1. Verify that the chopper PCB is functioning properly by checking the LEDs on the board against the LED list in the Maintenance section. See <i>Start circuit troubleshooting</i> on page 151.</li> <li>2. Turn off the power to the system and then turn it on again to verify that the system passes the initial power up test.</li> <li>3. Verify the current output on J2.6 white to black (4 VDC=100 amps).</li> <li>4. If the wiring is good, the IGBT may have failed. Replace the chopper assembly.</li> </ol>
161	High coolant flow rate	Coolant flow rate has exceeded maximum	<ol style="list-style-type: none"> <li>1. Check to make sure the shield cap is properly installed. A loose shield cap can allow shield gas to get into the coolant, and cause this error.</li> <li>2. Check to make sure the consumables are installed properly and are not damaged.</li> </ol>

## Maintenance

Number	Name	Description	Corrective action
190	Current Sensor B Fault	A fault was detected on channel B of the chopper	<ol style="list-style-type: none"> <li>1. Turn OFF the power to the system. Check the wiring between the control board and the chopper for damaged wires and proper connections and then turn ON the power again so the automatic diagnostic checks will run.</li> <li>2. If the error changes to a 410 error replace the chopper assembly.</li> </ol>
300	Temp sensor unplugged Chopper	The temperature reading was unexpectedly low, possibly indicating the sensor is unplugged	<ol style="list-style-type: none"> <li>1. Verify that the red and black wires on chopper J2.8 are plugged into the control board at J1.22.</li> <li>2. Verify the cold plate temperature sensor wires are plugged into the chopper at J2.9 (10K ohm nominal).</li> </ol>
301	Temp sensor unplugged Transformer	The temperature reading was unexpectedly low, possibly indicating the sensor is unplugged	Verify the electrical connection back to the control board at J1.12 pins 1-2 (10K ohm nominal).
302	Temp sensor unplugged Inductor 1	The temperature reading was unexpectedly low, possibly indicating the sensor is unplugged	Verify the electrical connection back to the control board at J1.12 pins 4-5 (10K ohm nominal).
303	Temp sensor unplugged Inductor 2	The temperature reading was unexpectedly low, possibly indicating the sensor is unplugged	Verify the electrical connection back to the control board at J1.12 pins 7-8 (10K ohm nominal).
304	Temp sensor unplugged Coolant	The temperature reading was unexpectedly low, possibly indicating the sensor is unplugged	Verify the electrical connection back to the control board at J1.18 pins 6-7 (10K ohm nominal).
400	Current sensor A and Current sensor B current with contactor off	During the chopper test, current was detected on channel A and on channel B when no current was expected	<ol style="list-style-type: none"> <li>1. Verify that the contactor is not welded shut or always ON.</li> <li>2. Verify that there is no DC output on the I/O board from the Torch to Work connections. If DC output is found, replace the chopper.</li> <li>3. Verify that the LED for PWM is not active.</li> </ol>
401	Current sensor A current with contactor off	During the chopper test, current was detected on channel A when no current was expected	<ol style="list-style-type: none"> <li>1. Verify that the contactor is not welded shut or always ON.</li> <li>2. Verify that there is no DC output on the I/O board from the Torch to Work connections. If DC output is found, replace the chopper.</li> <li>3. Verify that the LED for PWM is not active.</li> </ol>
402	Current sensor B current with contactor off	During the chopper test, current was detected on channel B when no current was expected	<ol style="list-style-type: none"> <li>1. Verify that the contactor is not welded shut or always ON.</li> <li>2. Verify that there is no DC output on the I/O board from the Torch to Work connections. If DC output is found, replace the chopper.</li> <li>3. Verify that the LED for PWM is not active.</li> </ol>
405	Current sensor A and Current sensor B current with contactor on and PWM off	During the chopper test, current was detected on channel A and on channel B when no current was expected	<ol style="list-style-type: none"> <li>1. Verify that the LED for PWM is not active.</li> <li>2. Verify that there is no DC output on the I/O board from the Torch to Work connections. If DC output is found, replace the chopper.</li> </ol>
406	Current sensor A current with contactor on and PWM off	During the chopper test, current was detected on channel A when no current was expected	<ol style="list-style-type: none"> <li>1. Verify that the LED for PWM is not active.</li> <li>2. Verify that there is no DC output on the I/O board from the Torch to Work connections. If DC output is found, replace the chopper.</li> </ol>
407	Current sensor B current with contactor on and PWM off	During the chopper test, current was detected on channel B when no current was expected	<ol style="list-style-type: none"> <li>1. Verify that the LED for PWM is not active.</li> <li>2. Verify that there is no DC output on the I/O board from the Torch to Work connections. If DC output is found, replace the chopper.</li> </ol>



Number	Name	Description	Corrective action
408	With choppers active, no current on Current sensor A and Current sensor B during chopper test	No current detected on channel A and channel B when current was expected	<ol style="list-style-type: none"> <li>1. Verify the output voltage from the contactor.</li> <li>2. Verify the DC voltage on both bridges of the Chopper.</li> <li>3. Verify the DC output on the I/O board for each chopper test.</li> <li>4. Verify that the 10 Ohm resistor on the I/O board is not damaged.</li> <li>5. Disconnect any exterior equipment from the I/O Board (Example: Arc Voltage connection).</li> <li>6. Replace the chopper.</li> </ol>
409	With choppers active, no current on Current sensor A during chopper test	No current was detected on channel A when current was expected	<ol style="list-style-type: none"> <li>1. Verify the output voltage from the contactor.</li> <li>2. Verify the DC voltage on Chopper.</li> <li>3. Verify the DC output on the I/O board for each chopper test.</li> <li>4. Verify that the 10 Ohm resistor on the I/O board is not damaged.</li> <li>5. Disconnect any exterior equipment from the I/O Board (Example: Arc Voltage connection).</li> <li>6. Replace the chopper.</li> </ol>
410	With choppers active, no current on Current sensor B during chopper test	No current was detected on channel B when current was expected	<ol style="list-style-type: none"> <li>1. Verify the output voltage from the contactor.</li> <li>2. Verify the DC voltage on Chopper.</li> <li>3. Verify the DC output on the I/O board for each chopper test.</li> <li>4. Verify that the 10 Ohm resistor on the I/O board is not damaged.</li> <li>5. Disconnect any exterior equipment from the I/O Board (Example: Arc Voltage connection).</li> <li>6. Replace the chopper.</li> </ol>
411	Current detected for longer than expected on Current sensor A and Current sensor B	Current on channel A and channel B did not return to 0 as expected	Verify that the surge circuit on the I/O board is functioning properly.
412	Current detected for longer than expected on Current sensor A	Current on channel A did not return to 0 as expected	Verify that the surge circuit on the I/O board is functioning properly.
413	Current detected for longer than expected on Current sensor B	Current on channel B did not return to 0 as expected	Verify that the surge circuit on the I/O board is functioning properly.
414	Current sensor A and Current sensor B signals crossed	Current from output A was detected on channel B and output from channel B was detected on channel A	Verify that the current sensor wiring is not crossed.
415	Current detected on Current sensor B when expected on Current sensor A	Current from output A was detected on channel B	Verify that the current sensor wiring is not crossed.



## Maintenance

---

<b>Number</b>	<b>Name</b>	<b>Description</b>	<b>Corrective action</b>
416	Current detected on Current sensor A when expected on Current sensor B	Current from output B was detected on channel A	Verify that the current sensor wiring is not crossed.
417	Current too high on Current sensor A	Current exceeded the maximum expected value on channel A	<ol style="list-style-type: none"><li>1. Verify that the 10 Ohm resistor on the I/O board is not damaged.</li><li>2. Disconnect any exterior equipment from the I/O Board (Example: Arc Voltage connection).</li></ol>
418	Current too high on Current sensor B	Current exceeded the maximum expected value on channel B	<ol style="list-style-type: none"><li>1. Verify that the 10 Ohm resistor on the I/O board is not damaged.</li><li>2. Disconnect any exterior equipment from the I/O Board (Example: Arc Voltage connection).</li></ol>
419	Current too high on Current sensor A and Current sensor B	Current exceeded the maximum expected value on channel A and channel B	<ol style="list-style-type: none"><li>1. Verify that the 10 Ohm resistor on the I/O board is not damaged.</li><li>2. Disconnect any exterior equipment from the I/O Board (Example: Arc Voltage connection).</li></ol>

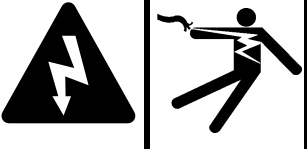
## Initial checks

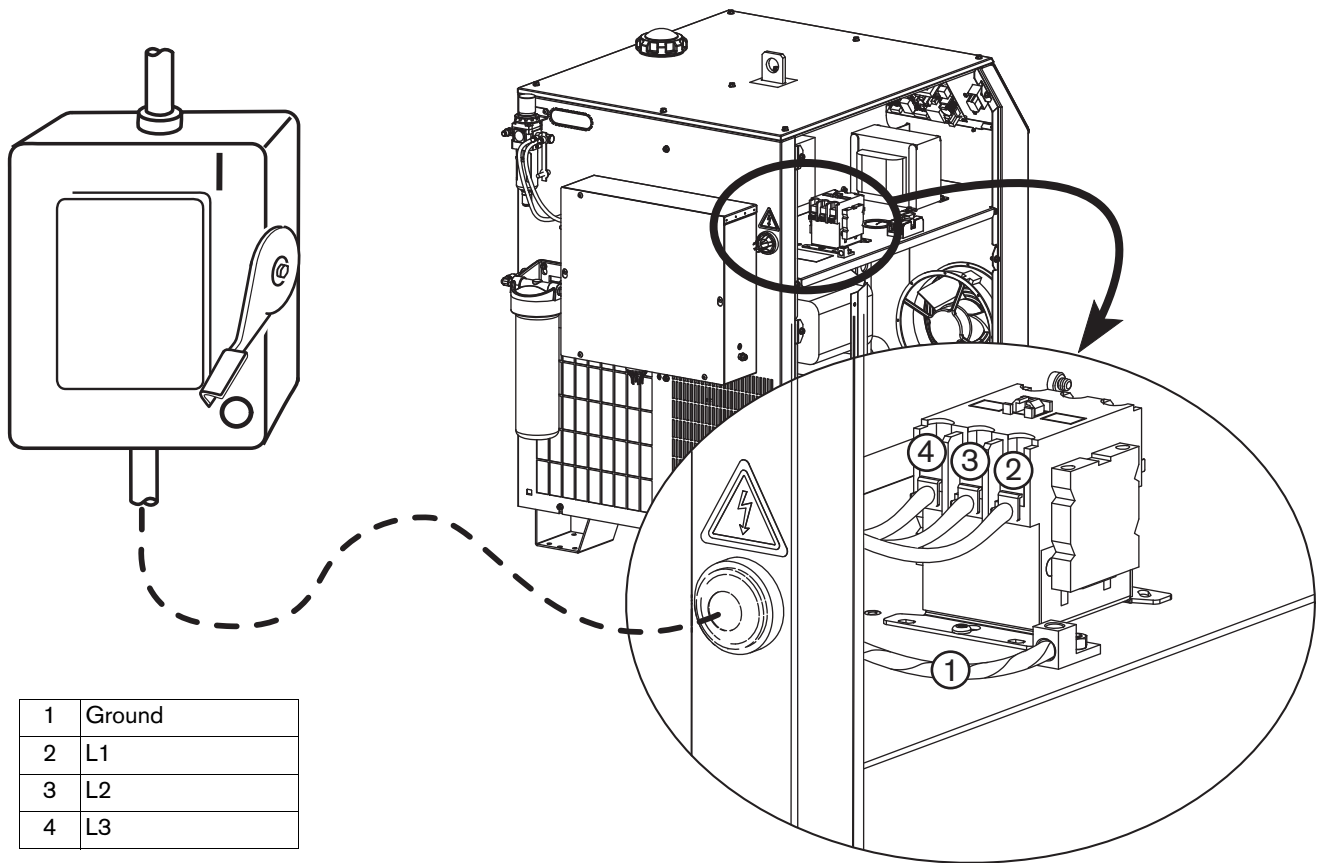
Before trouble-shooting, do a visual check and verify that proper voltages are present at the power source, transformers and power distribution board.

		<p style="text-align: center;"><b>DANGER!</b> <b>ELECTRIC SHOCK HAZARD</b></p>
<p><b>Always use caution when servicing a power supply when plugged in and the covers are removed. Dangerous voltages exist within the power supply which could cause injury or death.</b></p>		

1. Disconnect line power by turning OFF the main disconnect switch.
2. Remove the power supply's top panel and 2 side panels.
3. Inspect interior of power supply for discoloration on PC boards, or other apparent damage. If a component or module is obviously defective, replace it before doing any testing. Refer to the Parts List section to identify parts and part numbers.
4. If no damage is apparent, connect power to the power supply, and turn ON the main disconnect switch.
5. Measure the voltage between the L1, L2 and L3 terminals of TB1 located on the left side of the power supply. See figure on next page. Also refer to the wiring diagram in Section 7, if required. The voltage between any 2 of the 3 terminals should be equal to the supply voltage. If there is a problem at this point, disconnect main power and check all connections, the power cable, and fuses at the line disconnect switch. Repair or replace any defective component.

## Power measurement

	<p style="text-align: center;"><b>DANGER!</b> <b>ELECTRIC SHOCK HAZARD</b></p>
<p><b>There is line voltage at the contactor when the main disconnect switch is on. Use extreme care when measuring primary power in these areas. Voltages present at the terminal block and contactors can cause injury or death.</b></p>	



Check the lines in the following order:

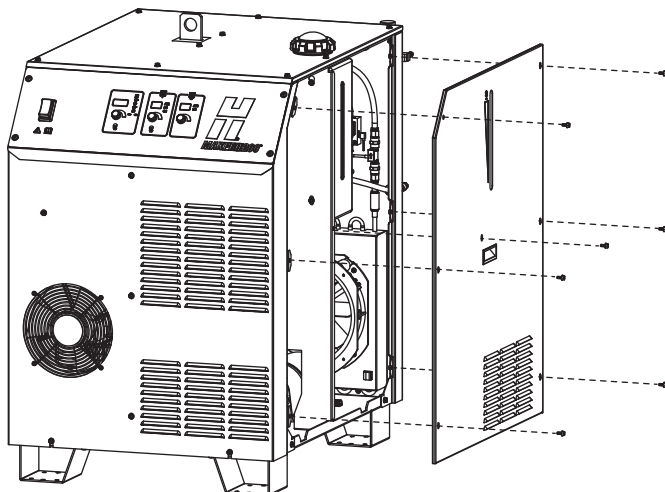
- L1 to L2
- L1 to L3
- L2 to L3

Check each line to ground. If one line is 10% or higher than the other two, put that leg on L1.

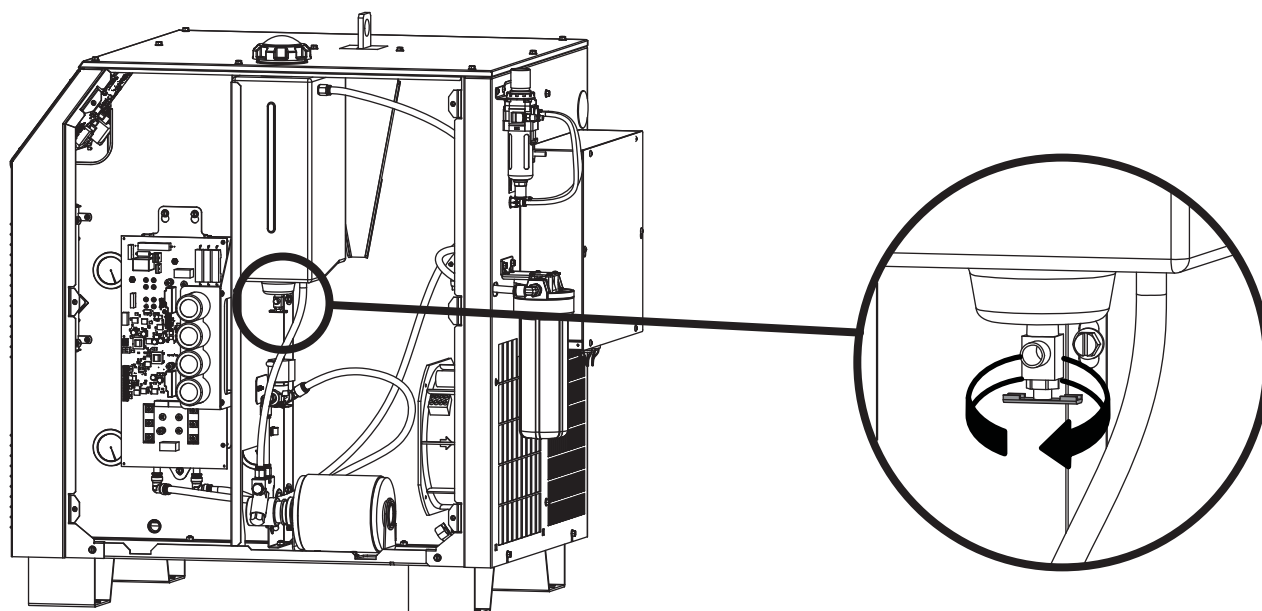
## Power supply coolant system servicing

### Draining the coolant system

1. Turn OFF the power and remove the right side panel from the power supply.



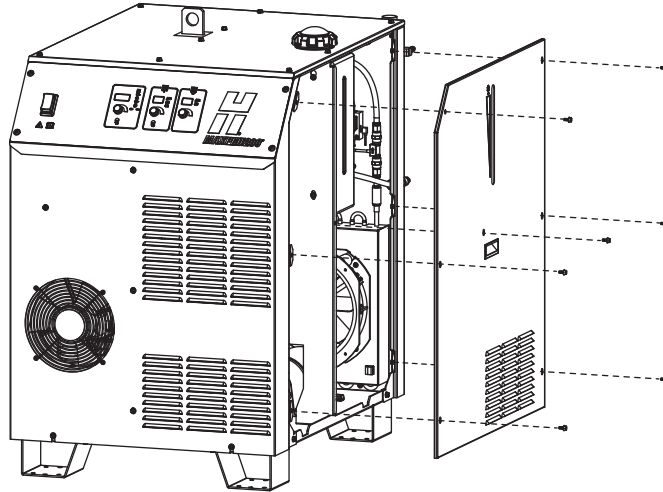
2. Locate the coolant drain valve and use a 20 liter (5 gallon) container to catch the coolant. Coolant will flow as soon as the drain is opened. Close the drain valve when the coolant stops flowing. Always dispose of coolant according to local and national codes.



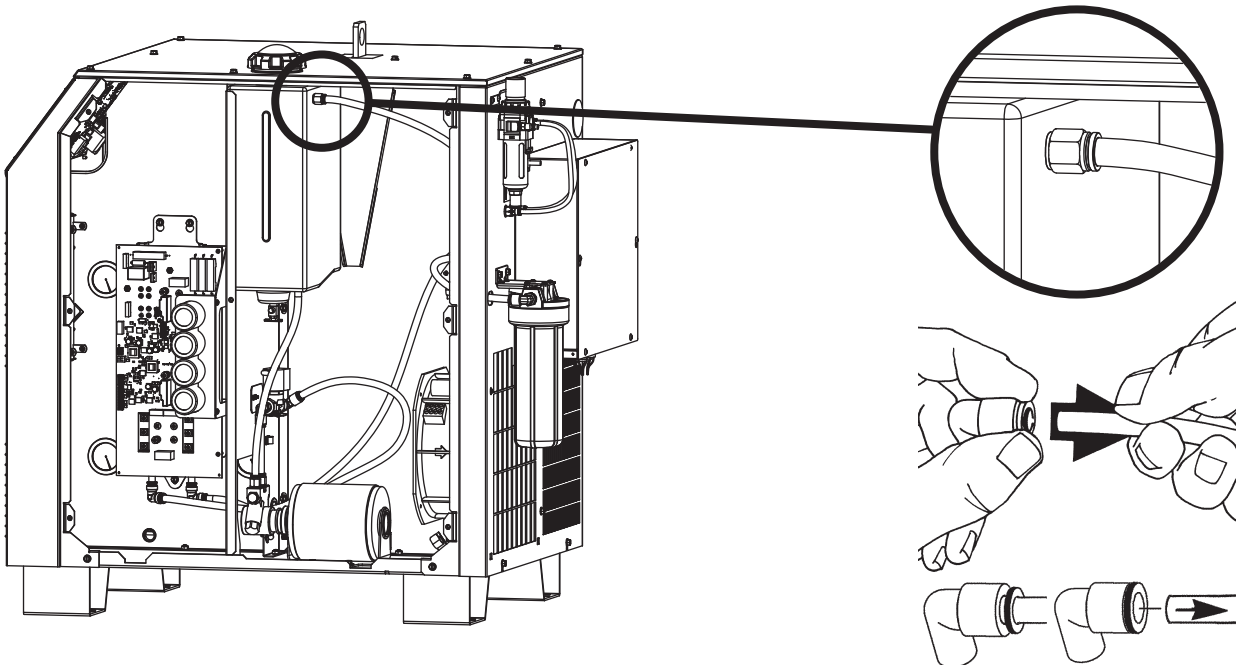
### Coolant flow test

The control board receives an electrical signal in Hz from the flow sensor, that is converted and shown as flow in gallons per minute (gpm). Normal flow is 4.5 lpm (1.2 gpm), but this will vary depending on lead lengths and whether the power is 50 Hz or 60 Hz. PCB4 will allow the system to operate if the coolant flow is 1.9 lpm (0.5 gpm) or greater. If the system shows a coolant flow error (093) the system will need to be turned OFF and then ON again and the following test needs to be performed to determine if the problem is coolant flow or the flow switch.

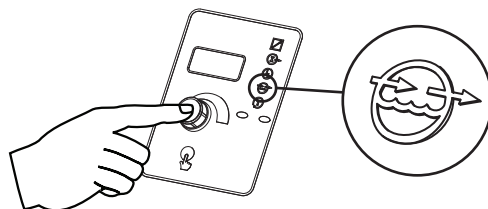
1. Turn OFF the power, and remove the right-side panel from the power supply.



2. Remove the return hose at the top of the coolant tank. Push the connector-collar toward the fitting, and pull the hose away from the fitting. This will release the coolant hose. No tools required. Put the end of the return hose into a 4 liter (1 gallon) container.

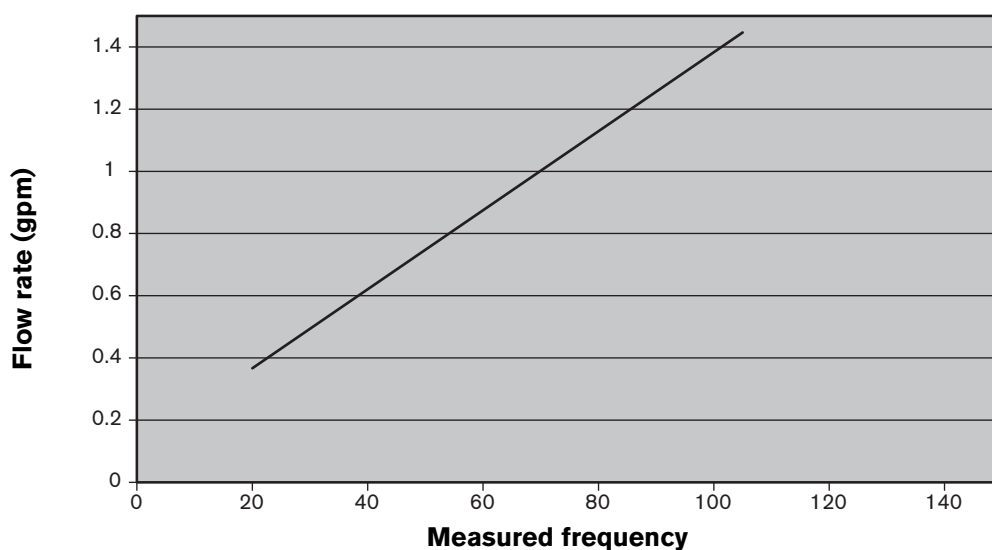


- You will need to enable the flow function before the count reaches 5 in the 3-digit display. Turn ON the power and press and release the current knob twice until the flow function is enabled. Turn OFF the power after the coolant flows for 30 seconds.



- Measure the amount of coolant in the container. There should be about 2 liters (0.5 gallon). If there is less than 1 liter (0.25 gallon) there may be a restriction in the coolant system or a problem with the pump or flow sensor.
- Verify the flow sensor output by measuring the flow output (in frequency) at the control board. Measure the Frequency on J21 pin 3 (pulse) and pin 2 (ground). Once you have the frequency use the chart below to get the flow sensors measured flow rate. If this number differs more than 0.8 lpm (0.2 gpm) from your bucket test, the flow sensor may need to be replaced.

**Note:** The 3-digit display shows actual coolant flow. You can compare that measurement to the measurement you get in step 5 to troubleshoot for a PCB problem.





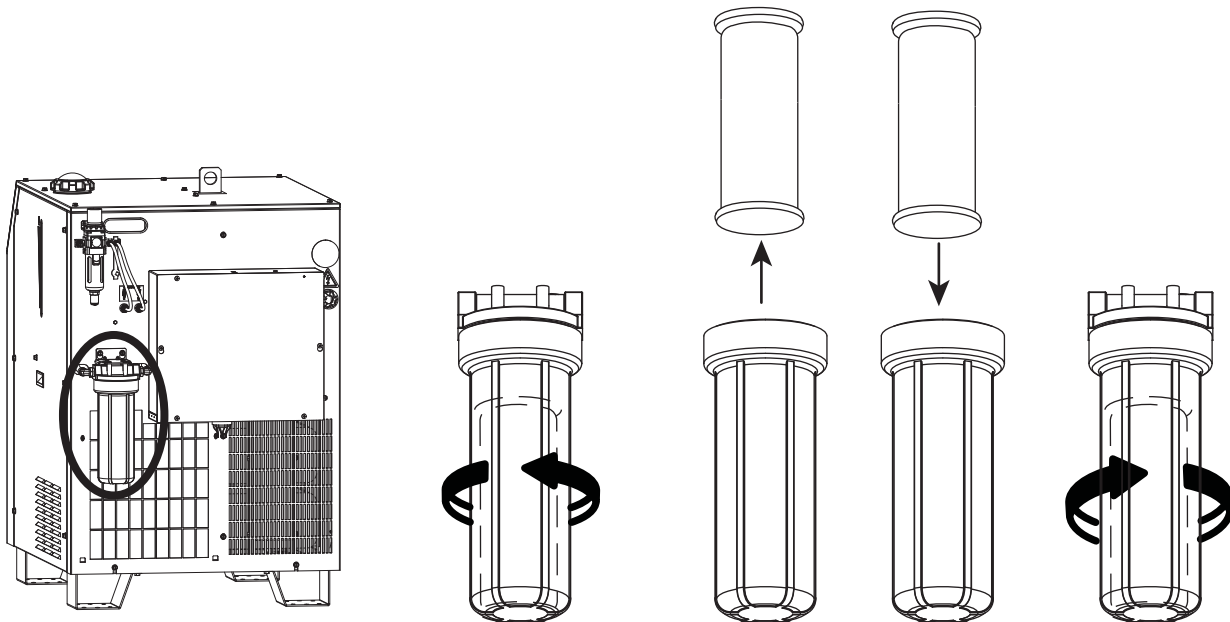
### CAUTION!

Coolant will flow from the filter when the housing is removed.

Drain coolant before replacing the filter.

### Coolant system filter replacement

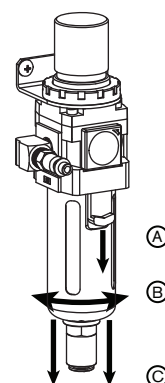
1. Make sure the coolant has been drained from the system, then turn OFF all power to the system.
2. Remove the filter housing. Make sure the o-ring inside the filter housing remains in place.
3. Remove and discard the filter element.
4. Install the new filter element 027005.
5. Make sure the o-ring is properly installed before re-installing the housing.
6. Refill the power supply with coolant. See *Fill the power supply with coolant* on page 67.



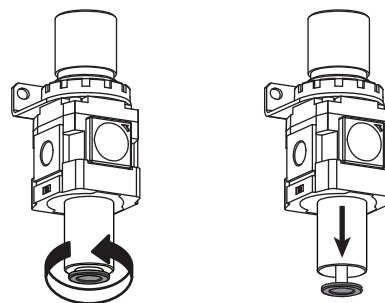


## Air filter element replacement

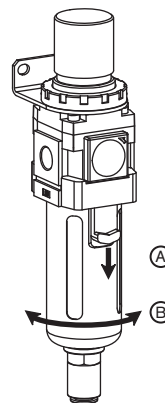
1. Disconnect the electrical power and the gas supply and remove the filter bowl and the old filter element.
  - a. Pull down and hold the black release tab.
  - b. Rotate the filter bowl in either direction until it releases.
  - c. Pull the filter bowl down to remove it. The bowl has an o-ring around the top. Do not discard the o-ring. If the o-ring needs to be replaced, use part number 011105.



2. Turn the plastic disk under the filter element counter-clockwise about 1/4 turn and remove the old filter element. Install the new filter element 011093.



3. Re-install the filter bowl.
  - a. Hold down the black tab and slide the filter bowl over the new filter element.
  - b. Rotate the filter bowl until it locks in place.



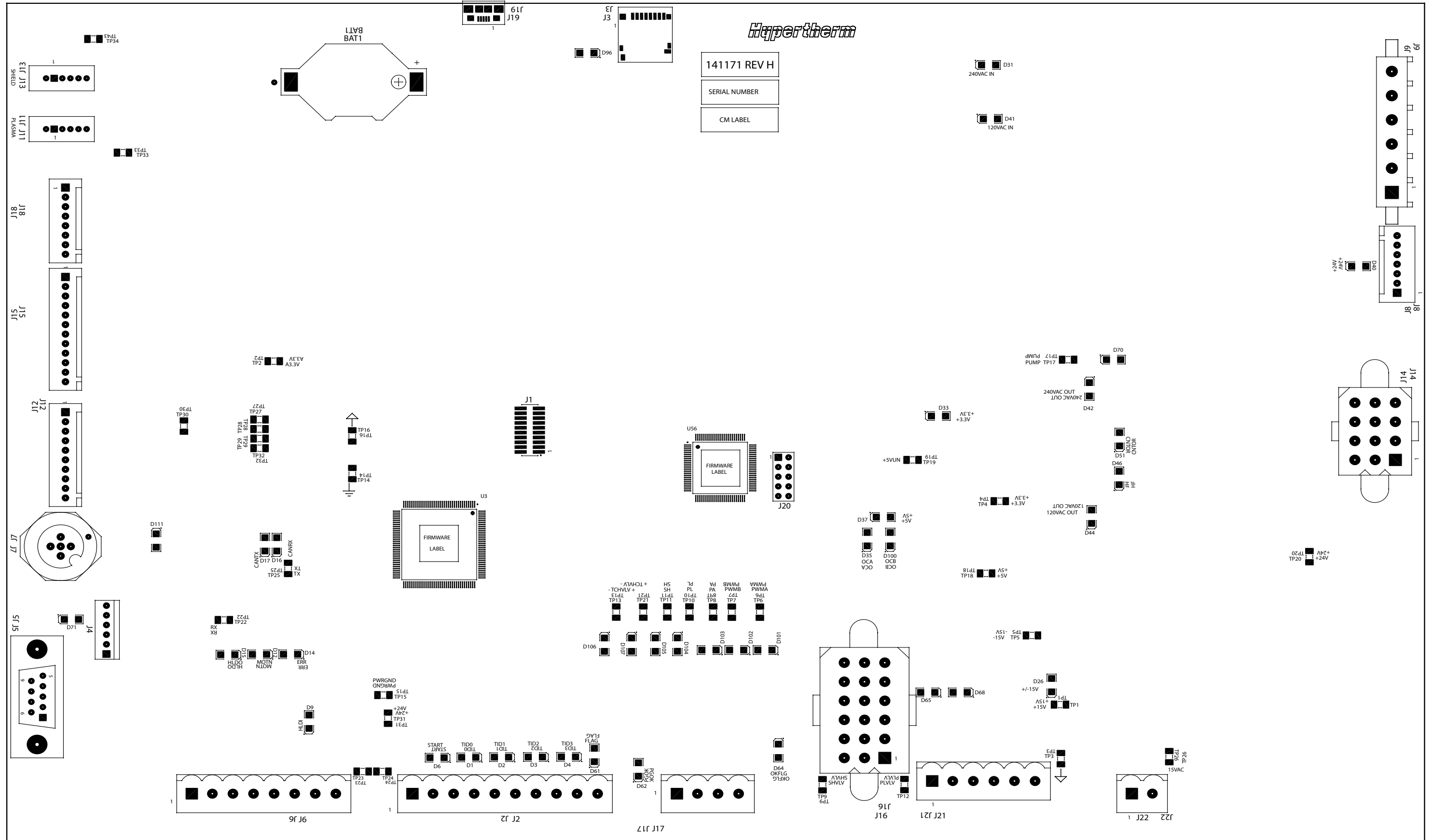
## Control board

### Control board LED list

LED	Description	LED	Description
D1	Torch ID 0	D46	High frequency ignition (ON = HF circuit active)
D2	Torch ID 1	D51	Contactors output (ON = contacts closed)
D3	Torch ID 2	D61	Torch valve driver error (ON = error)
D4	Torch ID 3	D62	Torch valve driver OK (ON = 24V power is OK)
D6	CNC start signal (ON = active)	D64	Not used
D9	Hold input (ON = active)	D65	Transfer detect (ON = 3.5A or more detected on the work lead)
D12	Motion output	D68	Coolant flow input (pulses from flow sensor)
D14	Error output	D70	Pump enable (ON = pump motor active)
D15	Hold output	D71	Serial communications TX
D16	CAN RX	D96	USB BUS voltage error flag
D17	CAN TX	D100	Over current on chopper B (ON = overcurrent)
D26	+15/-15V voltage indicator	D101	Chopper A PWM
D31	Fused side of 240VAC input power	D102	Chopper B PWM
D33	+3.3V voltage indicator	D103	Pilot arc enable
D35	Overcurrent on chopper A (ON = overcurrent)	D104	Plasma valve PWM
D37	+5V voltage indicator	D105	Shield valve PWM
D40	+24V voltage indicator	D106	Torch valve enable
D41	Fused side of 120VAC input power	D107	Not used
D42	240V input detection (ON = 240VAC input detected)	D111	Serial communications RX
D44	120V input detection (ON = 120VAC input detected)		

### Control board test points

Test point	Description	Test point	Description
TP1	+15V	TP18	+5V regulated
TP2	Analog 3.3V	TP19	+5V unregulated (should be 7V or higher)
TP3	Signal ground	TP20	+24V
TP4	+3.3V	TP21	Not used
TP5	-15V	TP22	Serial communications RX
TP6	PWM channel A (5V)	TP23	CNC start +
TP7	PWM channel B (5V)	TP24	CNC start -
TP8	Pilot arc enable (5V)	TP25	Serial communications TX
TP9	Shield valve output (24V)	TP26	15VAC power output to chopper
TP10	Plasma valve enable (5V)	TP27	Inductor 2 temp input (analog 3.3V)
TP11	Shield valve enable (5V)	TP28	Inductor 1 temp input (analog 3.3V)
TP12	Plasma valve output (24V)	TP29	Main transformer temp input (analog 3.3V)
TP13	Plasma valve enable	TP30	Multiplexed transformer and inductor temps input
TP14	Digital logic ground	TP31	+24V (same connection as TP20)
TP15	Power ground	TP32	Spare input not used (analog 3.3V)
TP16	Analog/signal ground	TP33	Plasma pressure input (analog 5V)
TP17	Pump motor enable (5V)	TP34	Shield pressure input (analog 5V)





## Gas leak tests

**Note:** See *Diagnostic functions* on page 130 for details about getting to the gas test functions

Function	Description
001	Flow gas at set pressure. Plasma and shield gases flow at the set value.
003	Plasma gas leak check. The plasma channel is pressurized and the pressure trapped. The 3-digit display shows the actual pressure. The system remains in this state until you select another function or return to cutting. The pressure in the plasma channel should remain stable (+/- 2 psi) for 5 minutes. The shield gas channel should drop to near zero psi (less than 5 psi).
004	Flow gas at full pressure. The plasma and shield gases flow at full pressure. It is typical to see low pressure errors during this function because the system is attempting to achieve the maximum flow possible. Function 4 is used when setting the supply gas regulators.
006	In-line valve check. The plasma channel is pressurized, the system closes the Burkert valve and opens the in-line torch valve. The plasma pressure is expected to drop to near zero psi (less than 5 psi) in less than 30 seconds.

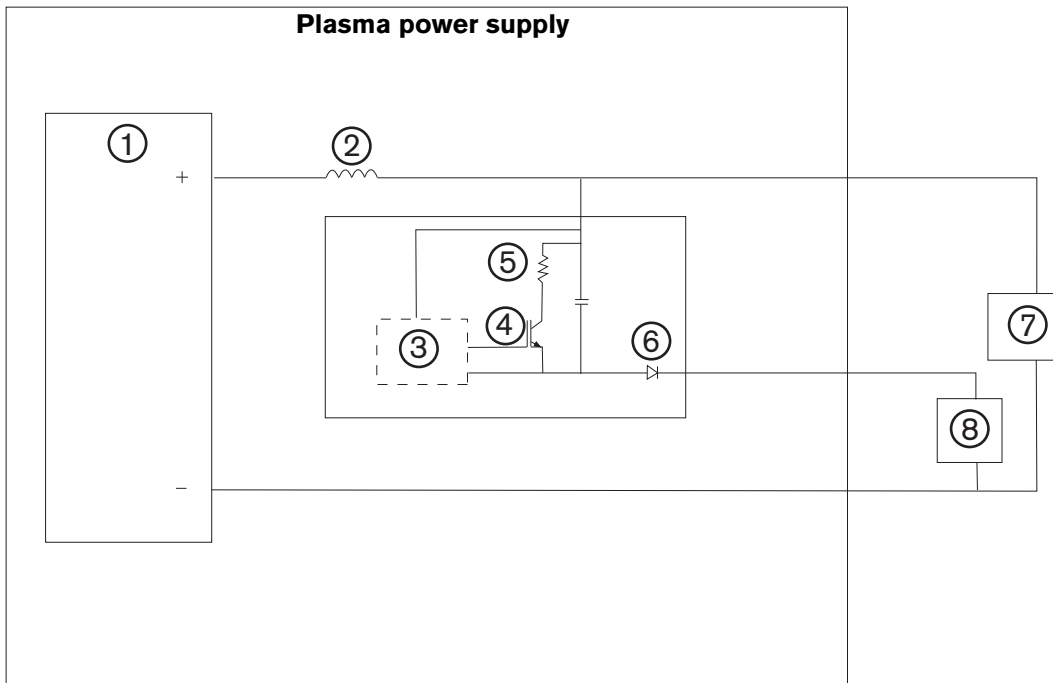
## Start circuit

### Operation

The start circuit is a high-speed switch that quickly transfers the pilot arc current from the pilot arc lead to the work lead. The start circuit is built into the chopper in the MAXPRO200. The start circuit performs 2 functions:


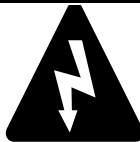
1. It allows the initial pilot arc current to flow through the pilot arc lead quickly, with little impedance.
2. After initial pilot arc current is established, the start circuit introduces impedance to the pilot arc lead to aid in transferring the arc to the workpiece. See schematic below.

### Start circuit functional schematic



Number	Description
1	Chopper
2	Choke
3	Power supply control board
4	IGBT
5	Power resistors
6	Diode
7	Cutting arc
8	Pilot arc

## Start circuit troubleshooting

		<b>DANGER!</b> <b>ELECTRIC SHOCK CAN KILL</b>
<b>Before operating this system, you must read the safety section thoroughly. Turn OFF the power supply's main disconnect switch before proceeding with the following steps.</b>		

D14 should always be illuminated.

**Note:** Reference the chopper PCB figure on the next page.

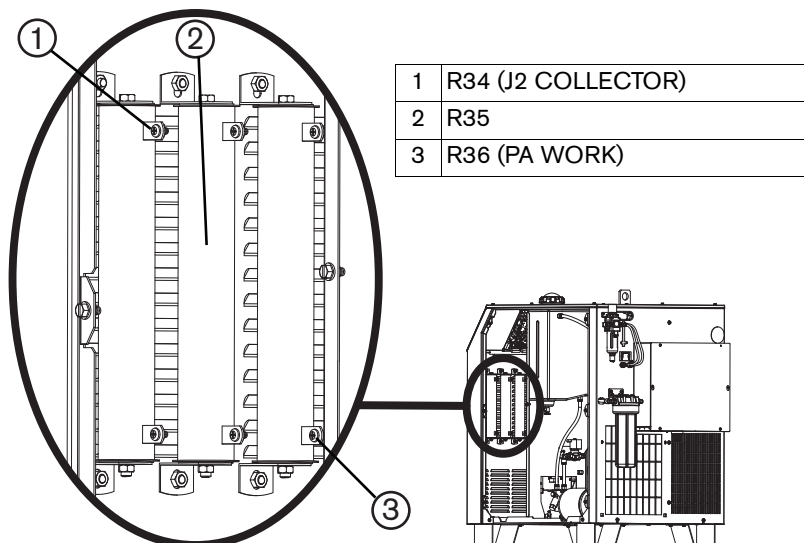
D3 illuminates as soon as the torch fires and will extinguish as soon as the arc transfers to the workpiece. If arc transfer is immediate, the LED may not illuminate.

If there is no arc at the torch or if the arc will not transfer:

1. Turn OFF all power to the system.
2. Remove the 6 AWG wire labeled R36 from the R36 power resistor terminal (PA WORK). Not the smaller 140 mm (5.5 inch) 10 AWG wire that connects to R34.
3. Verify a series resistance of 3  $\Omega$  between J2 (COLLECTOR, wire labeled J2.2) and R36 (PA WORK). If the resistance value is not correct, check the wiring connections between J2 (COLLECTOR, wire labeled J2.2) and R34, between R34 (no label on wire) and R35, and between R35 (no label on wire) and R36.

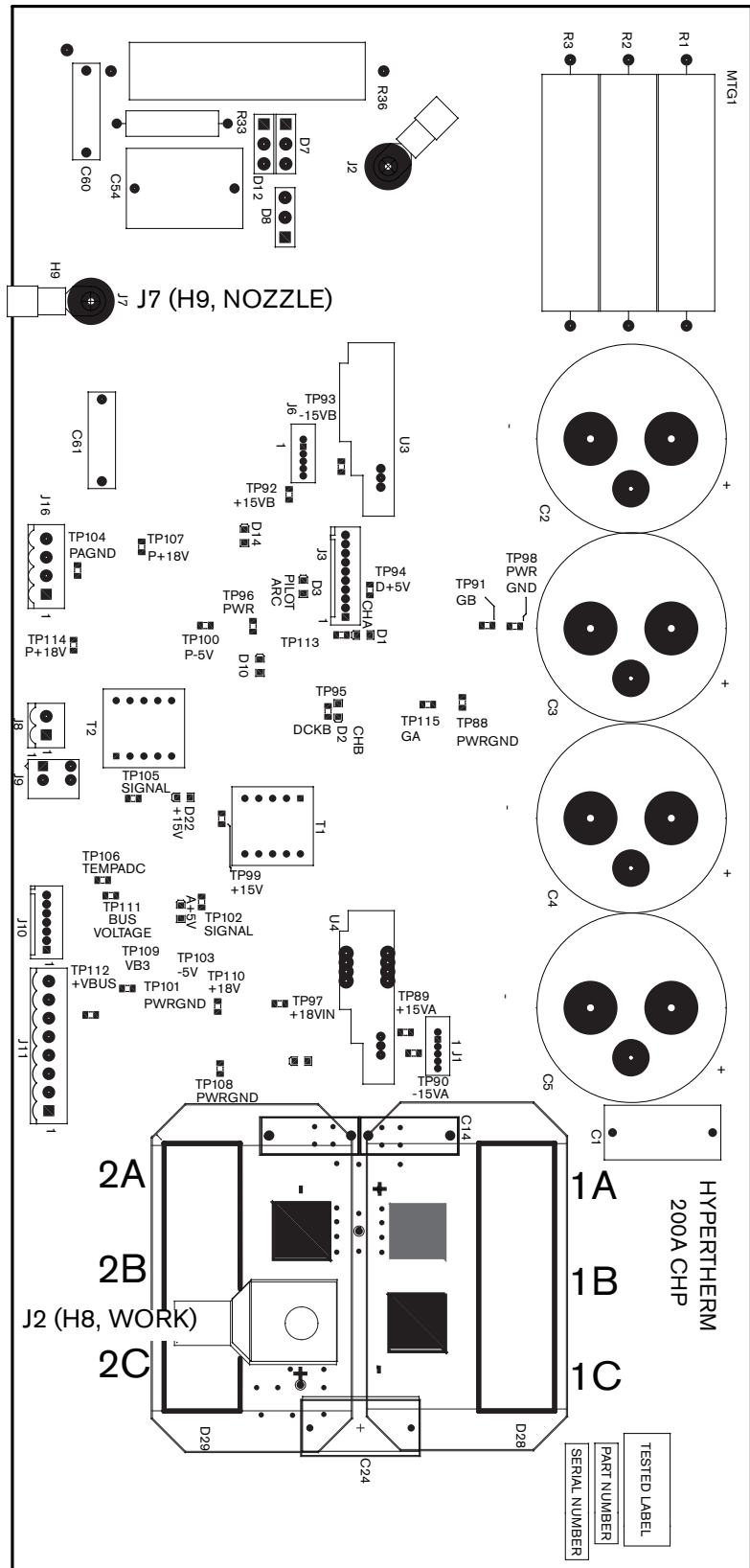
**Note:** Resistance value may slowly increase to the correct value due to the capacitance in the circuit.

4. Verify a resistance of 1  $\Omega$  across each of R34, R35, and R36.
  - The work lead should not have any cuts or breaks. Verify a resistance of 1  $\Omega$  or less. The work lead connection to the cutting table should be clean and have good contact to the table.
  - Verify that D14 is illuminated. If it is not illuminated the board may need to be replaced or the board may not be receiving power.
  - Fire the torch in the air and verify that D3 is illuminated. If it is not illuminated, but a pilot arc is established, the pilot arc IGBT (Q7) may need to be replaced.
5. Place a 10 AWG (6 mm<sup>2</sup>) jumper in parallel across the work lead (WORK, H8, wire labeled J2.9) and J7 (Nozzle, H9, wire labeled J2.7). Perform a test cut. The nozzle will wear out after just a few starts. If the arc transfers, check, R34, R35, R36, Q7, the chopper, and the wiring between them. replace parts as necessary.



LED	Description
D1	Chopper A PWM
D2	Chopper B PWM
D3	Pilot arc enable
D6	+18V/-5V chopper circuit power indicator
D10	Gate drive optocoupler +5V power indicator
D14	Pilot arc circuit power indicator
D20	Bus voltage +5V circuit power indicator
D22	Chopper +15V power indicator

Test point	Description
TP88	Chopper ground
TP89	+15V (chopper A)
TP90	-15V (chopper A)
TP91	IGBT chopper B gate drive
TP92	+15V (chopper B)
TP93	-15V (chopper B)
TP94	Gate drive optocoupler +5V
TP95	Chopper B PWM
TP96	Pilot arc circuit ground
TP97	Chopper unregulated +18V (should be +18.5 or higher)
TP98	Chopper ground
TP99	Chopper +15V
TP101	Chopper ground
TP102	Signal (Bus voltage) ground
TP103	Chopper -5V
TP104	Pilot arc ground
TP105	Signal (chopper temp) ground
TP106	Chopper temp (0–5V analog)
TP107	Pilot arc +18V
TP108	Non-isolated chopper ground
TP109	Non-isolated Bus voltage (0–5V analog)
TP110	Chopper +18V
TP111	Isolated Bus voltage (0–5V analog)
TP112	Bus voltage +5V
TP113	Chopper A PWM
TP114	Pilot arc unregulated +18V (should be +18.5 or higher)
TP115	IGBT chopper A gate drive



**Chopper PCB**



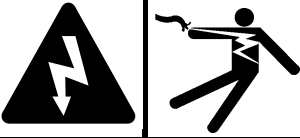
**Pilot arc current levels**

<b>Plasma gas</b>	<b>50 Amps</b>	<b>130 Amps</b>	<b>200 Amps</b>
Air	20 Amps	35 Amps	40 Amps
N <sub>2</sub>	—	35 Amps	40 Amps
O <sub>2</sub>	20 Amps	35 Amps	40 Amps

**Transfer current**

Transfer is determined by CS1 on PCB3 (I/O board). Transfer occurs when the current on the work lead is > 7 Amps.

### Chopper tests

	<b>WARNING!</b> <b>ELECTRIC SHOCK HAZARD</b>
<p>Use extreme care when working near the chopper modules. Each large electrolytic capacitor (blue-cased cylinder) stores large amounts of energy in the form of electric voltage. Even if the power is off, dangerous voltages exist at the capacitor terminals, on the chopper, and the diode heatsinks. Never discharge any capacitor with a screwdriver or other implement... explosion, property damage and/or personal injury will result.</p>	

#### Automatic chopper and current sensor tests during power-up

After you turn ON the power to the system and the preflow starts, the system will automatically run the following series of tests:

The system performs a chopper test verifying there is no output current. Less than 5 amps is considered “no current”.

1. The main contactor is open, IGBTs are off
  - a. If there is current on channel A, error code 401 is displayed
  - b. If there is current on channel B, error code 402 is displayed
  - c. If there is current on both channels, error code 400 is displayed
2. The main contactor is closed, IGBTs are off
  - a. If there is current on channel A, error code 406 is displayed
  - b. If there is current on channel B, error code 407 is displayed
  - c. If there is current on both channels, error code 405 is displayed

If the coolant flow is above the minimum level the system will do a high power test on the chopper.

**Note:** the system is “live” at this time. The system is applying power to the torch even though no arc will be present at the torch.

The system performs a chopper LEM Test. The test checks for current between 10–60 amps. Less than 5 amps is considered “no current”.

3. The main contactor is closed, IGBTs are on
  - a. If there is no current on channel A, error code 409 is displayed
  - b. If there is no current on channel B, error code 410 is displayed
  - c. If there is no current on both channels, error code 408 is displayed
4. The main contactor is closed, IGBTs are on
  - a. If channel A current does not go to 0, error code 412 is displayed
  - b. If channel B current does not go to 0, error code 413 is displayed
  - c. If the current on both channels does not go to 0, error code 411 is displayed
5. The main contactor is closed, IGBTs are on
  - a. Channel A current detected on channel B input, error code 415 is displayed
  - b. Channel B current detected on channel A input, error code 416 is displayed
  - c. Channel A current detected on channel B input and Channel B current detected on channel A input, error code 414 is displayed

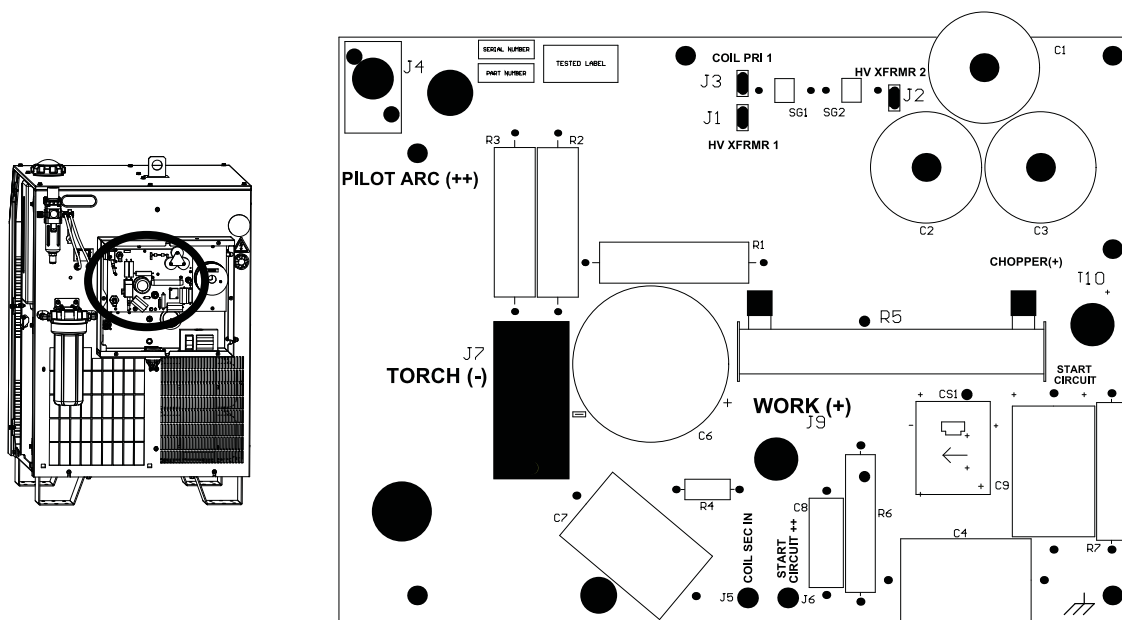
6. The main contactor is closed, IGBTs are on
  - a. Channel A current higher than expected, error code 417 is displayed
  - b. Channel B current higher than expected, error code 418 is displayed
  - c. Current on both channels is higher than expected, error code 419 is displayed

If the chopper test is successful and there are no other severe errors the system will advance to state #3, "Ready for start", otherwise the system will go to state #14 "Shutdown".

### Using a meter to measure open circuit voltage (OCV)

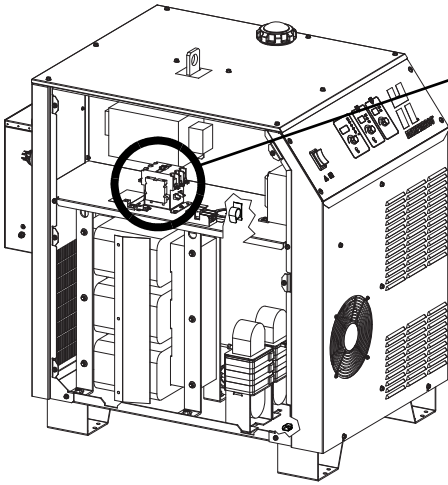
The OCV is 360VDC with no load on the system and can only be measured when the contactor is closed. The VAC on the chopper bridges are 127 VAC on 1A-1B-1C & 2A-2B-2C.

1. It is best to use clip-on test leads to keep your hands and the meter outside the power supply. Connect the meter to J9 (WORK) and J7 (NEGATIVE) on the I/O board.
2. Turn ON the power to the system.
3. The automatic chopper test will begin when the purge cycle starts. You will hear the main contactor close and 0 to 5 seconds later the meter should show 360 VDC. This is the OCV for chopper channel A. The voltage will start to decrease, then spike back up to 360 VDC again. The second reading represents the OCV for chopper channel B.

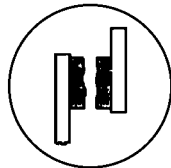


### Phase loss detection

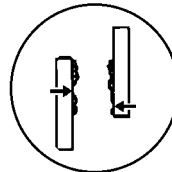
1. Turn OFF all power to the system and remove the cover from the contactor (CON1).



2. Inspect the condition of the 3 contacts for excessive wear. If one or more of the contacts are worn excessively, replace CON1 and restart the system.



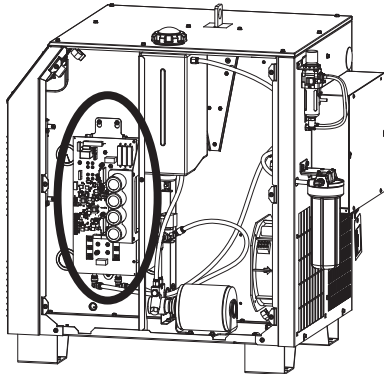
OK



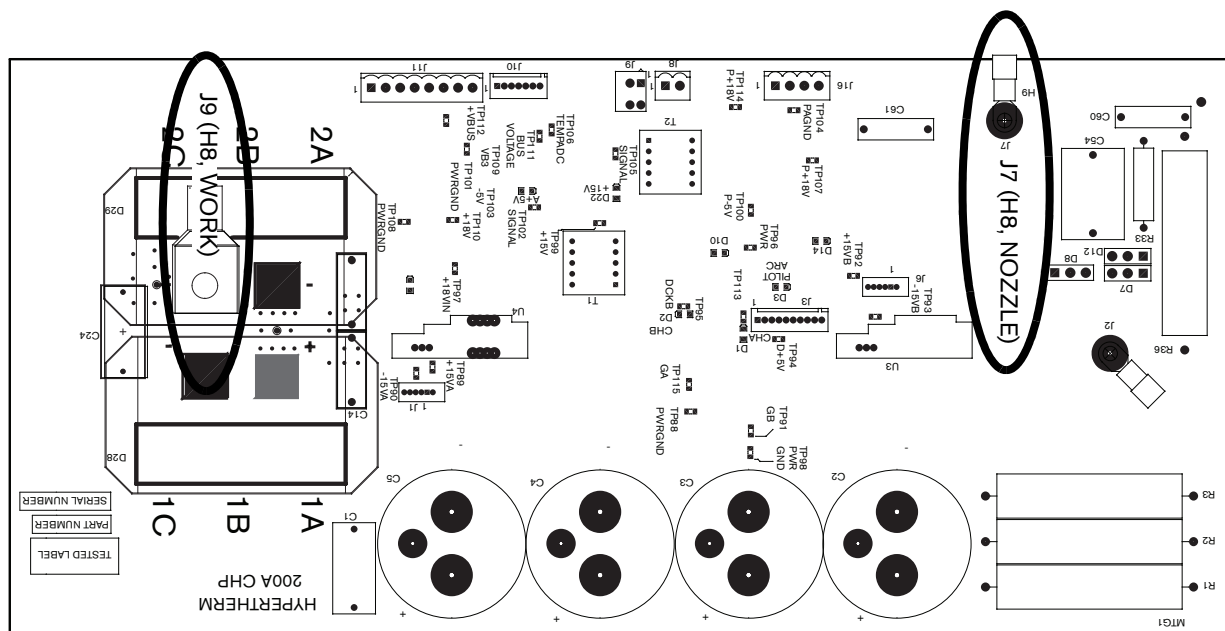
Excessive wear

### Torch lead test

1. Turn OFF all power to the system.
2. Locate the chopper board.



3. Install a temporary jumper wire between J7 (H9, NOZZLE) and the work lead connection, J9 (H8, WORK) on the chopper board.



4. Measure the ohm value between the nozzle and the plate. The reading should be < 4 ohms. A measurement > 4 ohms indicates a faulty connection between the torch and I/O board, or between the I/O board and the power supply.
5. Verify that the pilot arc wire on the torch lead is not damaged. If it is damaged, replace the lead. If it is not damaged, replace the torch head.

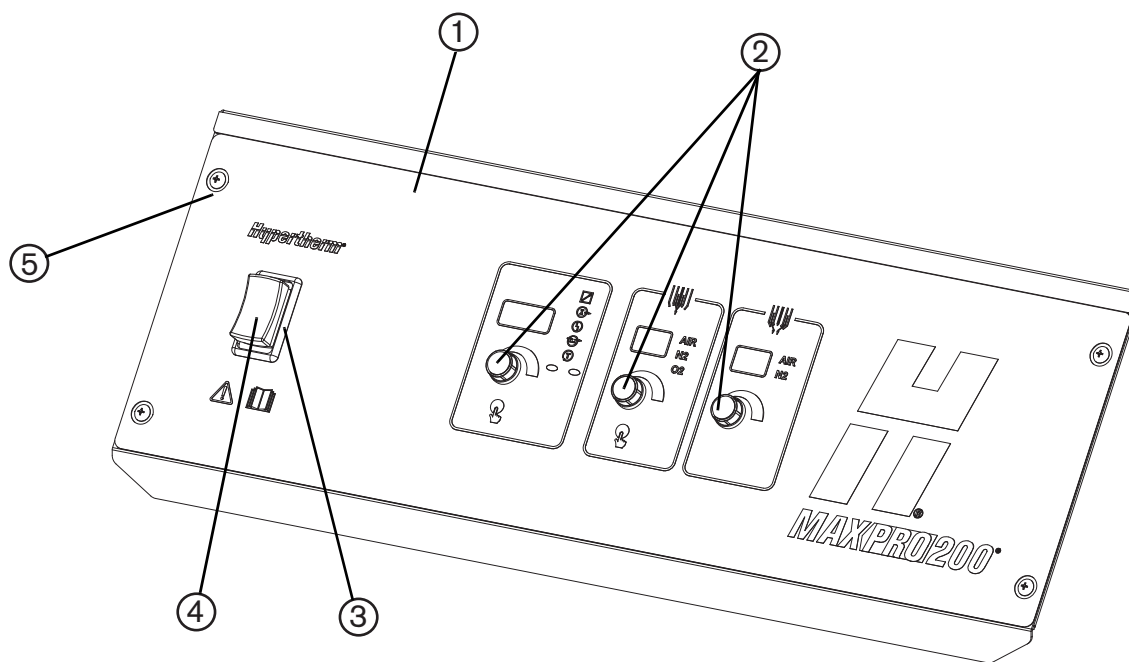
### Preventive maintenance

Hypertherm created a Preventive Maintenance Program (PMP) specifically for your plasma system. The PMP has two parts: a cleaning and inspection plan and a component replacement plan.

See the *MAXPRO200 Preventive Maintenance Program Instruction Manual* (808800) for part numbers.

If you have questions about how to maintain your Hypertherm plasma system, contact your OEM or regional Hypertherm Technical Service team. You can find contact information for each regional office at [www.hypertherm.com](http://www.hypertherm.com) on the "Contact us" page.

Control panel

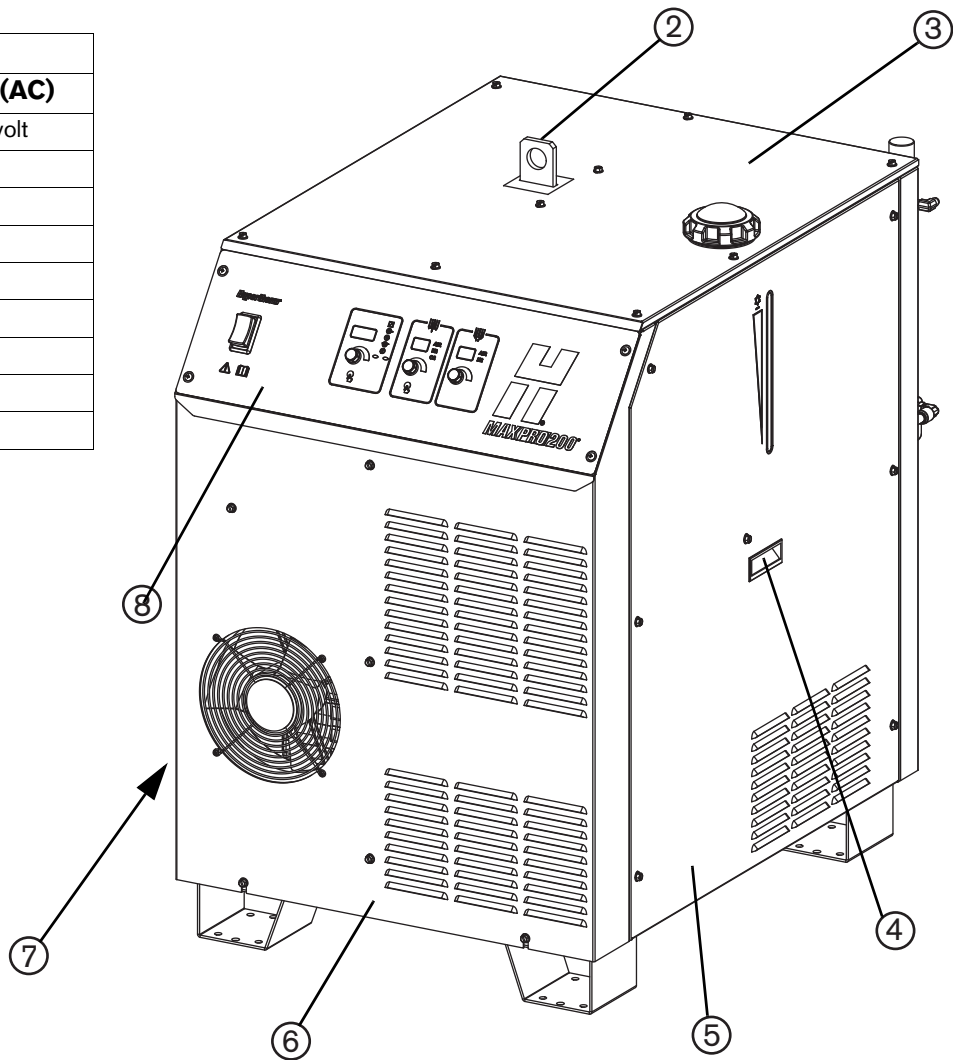


<b>Item</b>	<b>Part Number</b>	<b>Description</b>	<b>Quantity</b>
1	428032	Control panel replacement kit	1
2	108797	Knob: soft black, no pointer	3
3	007050	Rocker switch bezel	1
4	005678	Rocker switch	1
5	075237	Screw (control panel and enclosure panels): 10-32, Torx T-25	18

**Power supply**

①

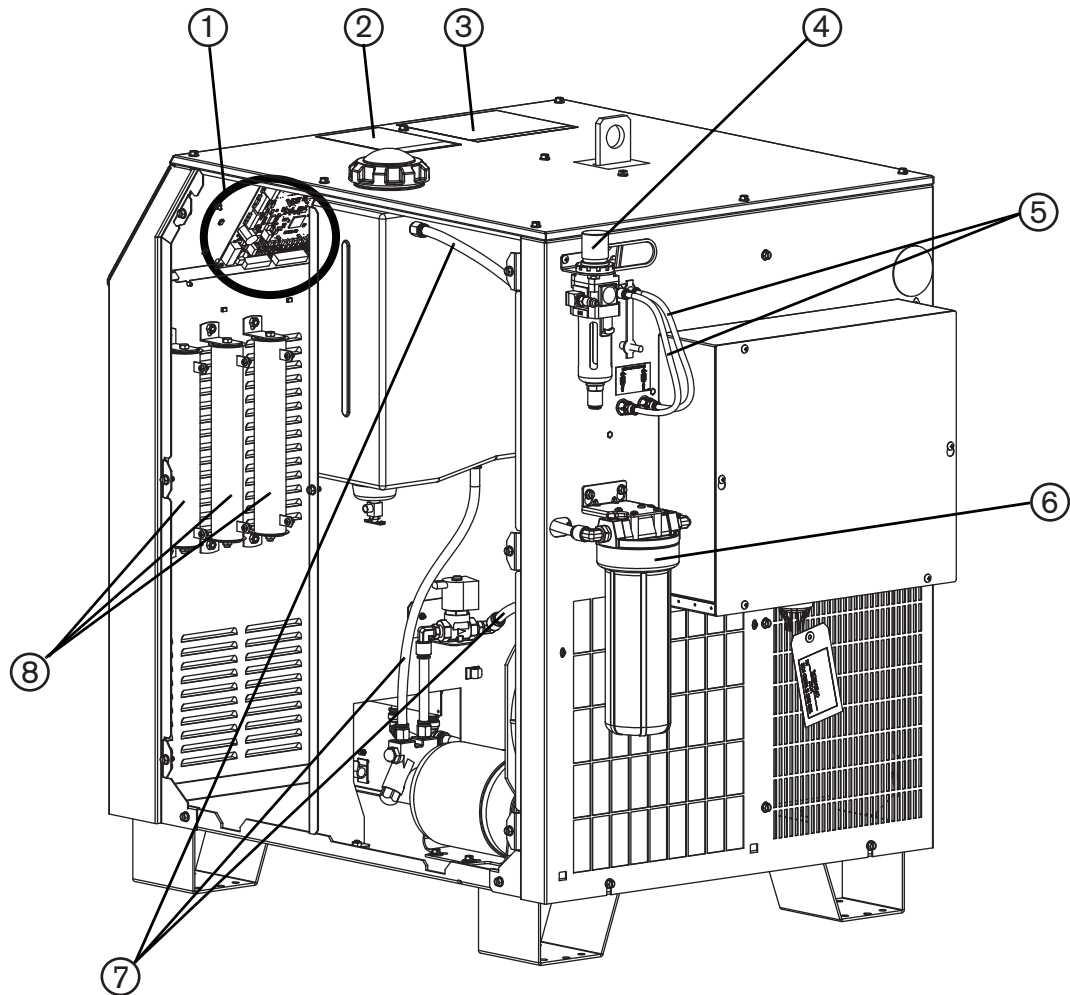
Power supplies	
Part number	Voltage (AC)
078610	200/208 volt
078611	220 volt
078612	240 volt
078613	380 volt
078614	400 volt
078615	415 volt
078616	440 volt
078609	480 volt
078617	600 volt



<b>Item</b>	<b>Part Number</b>	<b>Description</b>	<b>Quantity</b>
1	See chart above	Power supply	
2	428033	Lift eye replacement kit	1
3	428031	Top panel replacement kit	1
4	027967	Handle: side panels	2
5	428029	Right side panel replacement kit	1
6	101188	Front panel	1
7	428030	Left side (not shown) panel replacement kit	1
8	428032	Control panel replacement kit	1
Not shown	428035	Optional caster (wheel) kit	1

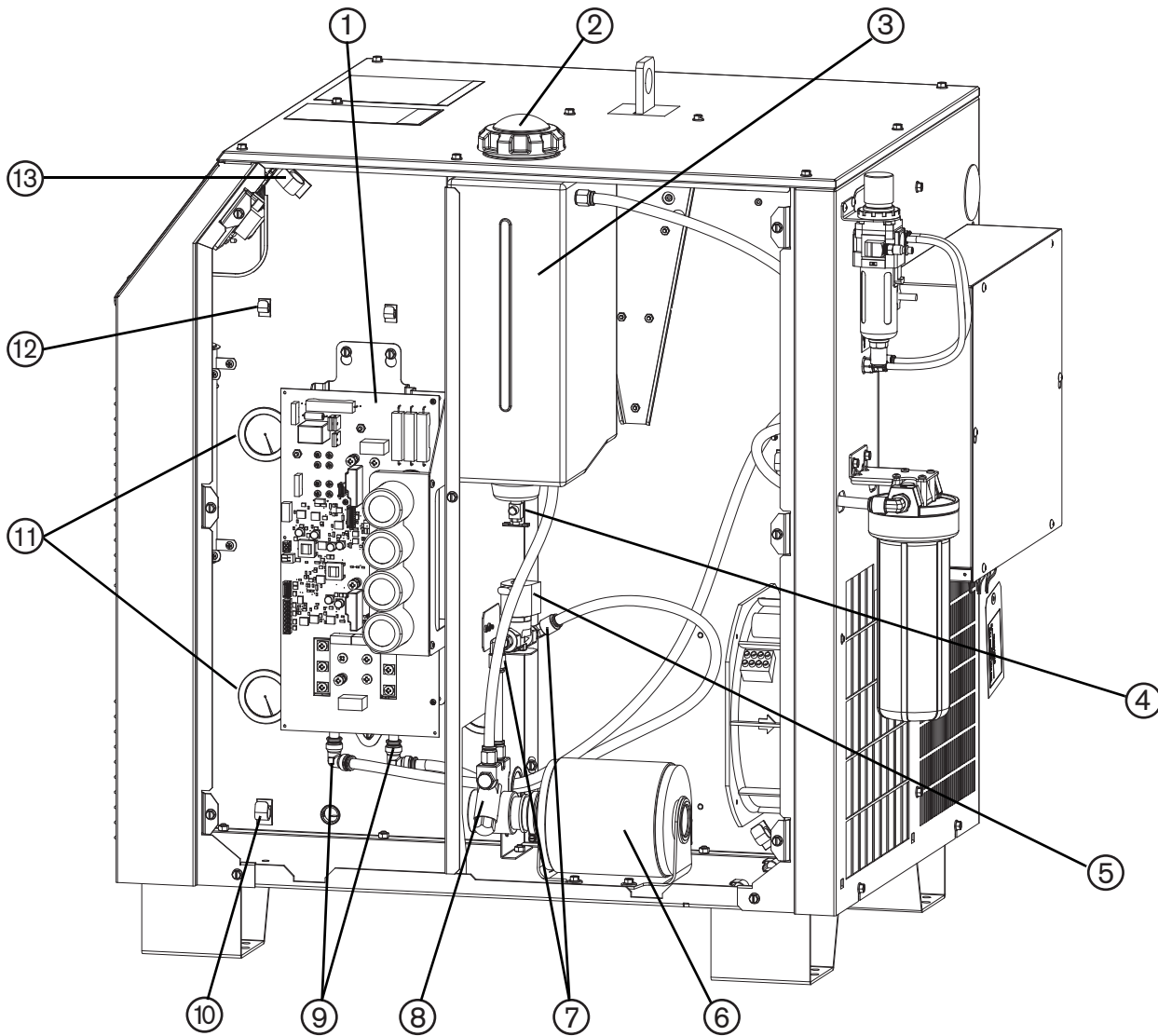


Power supply



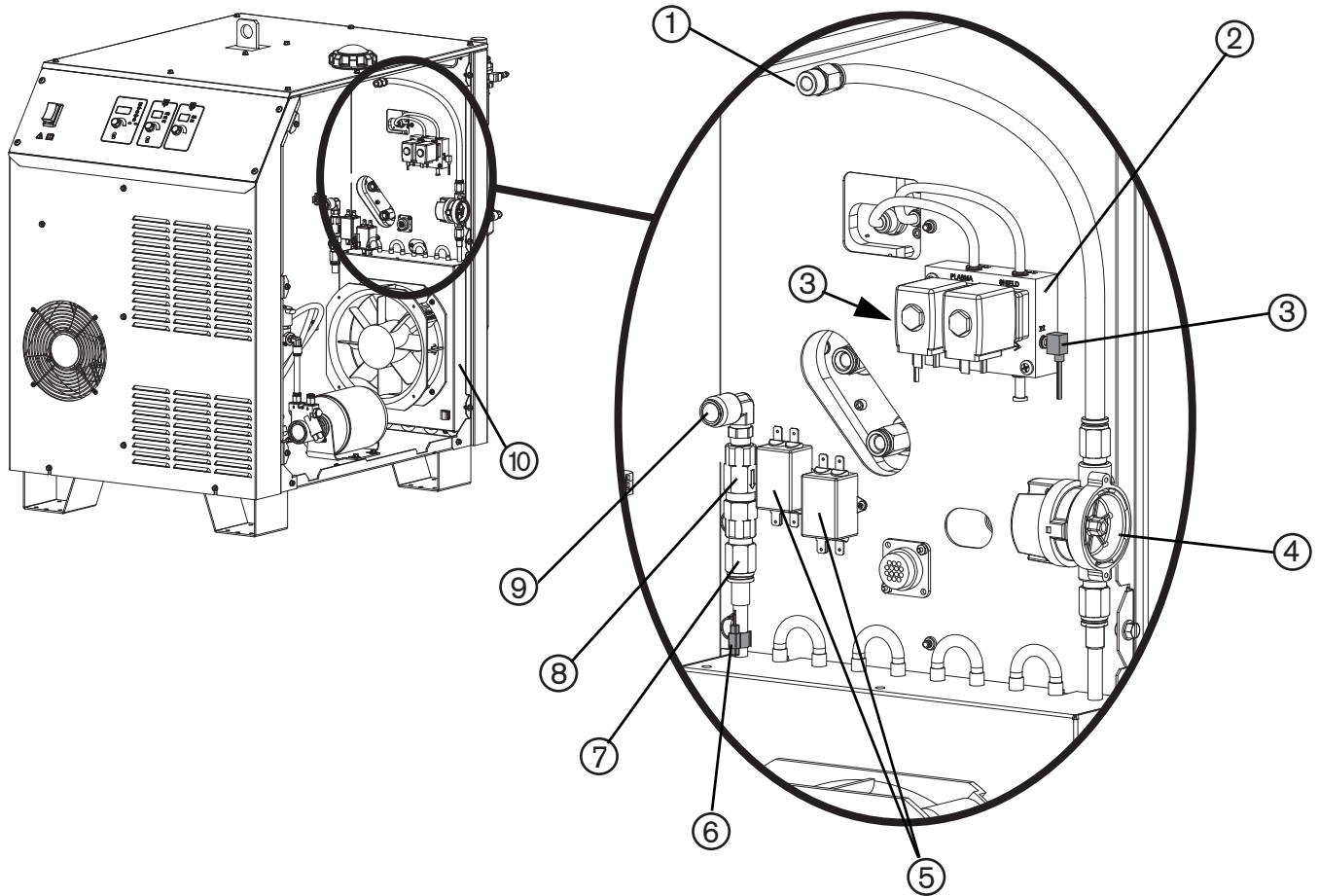
<b>Item</b>	<b>Part Number</b>	<b>Description</b>	<b>Quantity</b>
1	141171	Control Board	1
2	110261	Label: Warning instant start	1
3	010298	Label: Warnings	1
4	011114	Air filter/regulator: 7-125 psi, 1/4 inch, auto drain with valve	1
	011093	Air filter element	1
5	228862	Gas hoses kit (not all hoses shown above)	1
6	428038	Coolant filter replacement kit	1
	027005	Coolant filter element	1
7	228861	Coolant hose kit (not all hoses shown above)	1
8	109377	Resistor: 1 ohm, 500 watts	3

Power supply



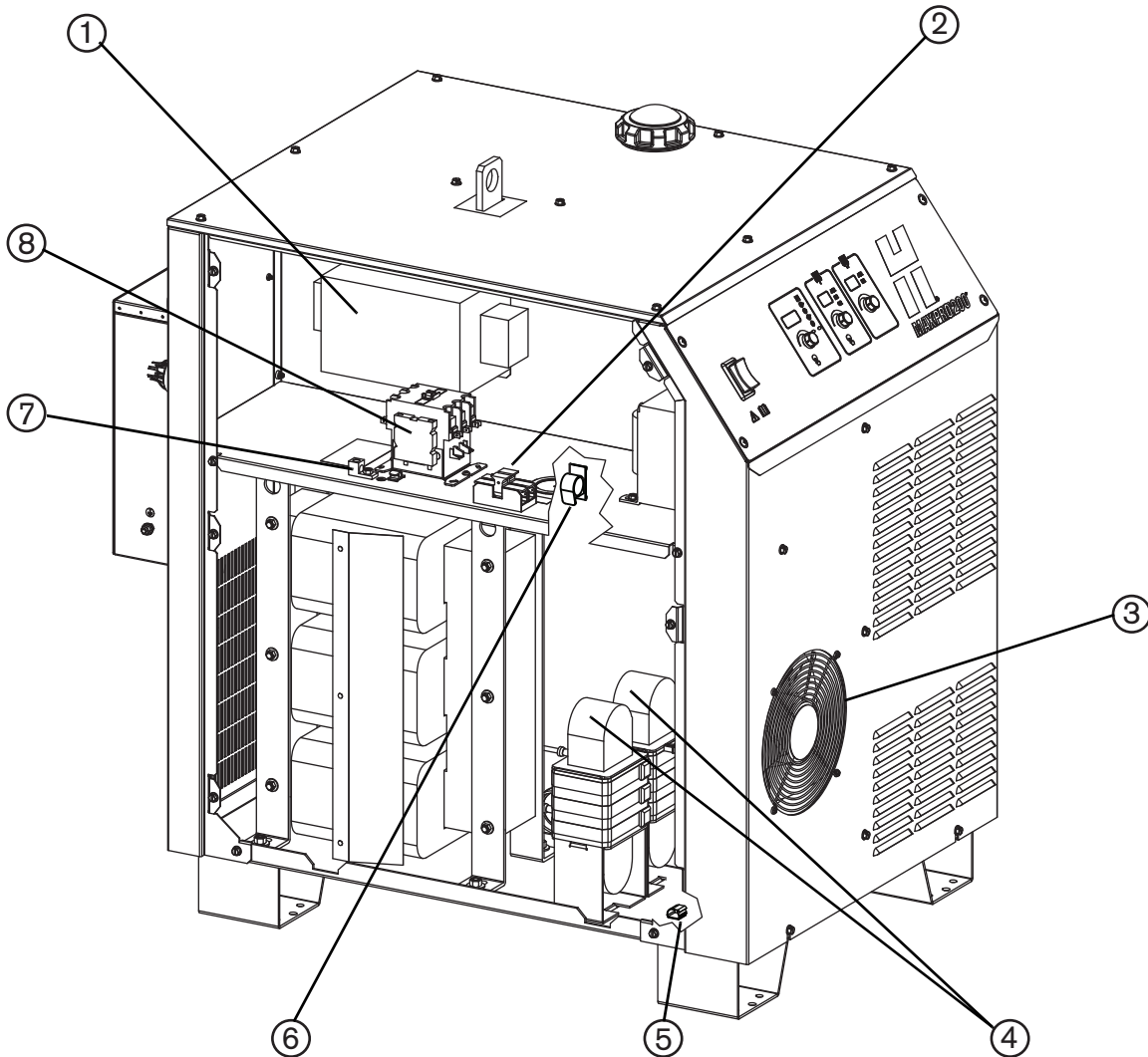
<b>Item</b>	<b>Part Number</b>	<b>Description</b>	<b>Quantity</b>
1	428036	Chopper replacement kit	1
2	127014	Coolant reservoir cap	1
3	002546	Coolant reservoir	1
4	006099	Coolant drain valve	1
5	228993	Coolant solenoid valve replacement kit	1
6	428039	Pump motor replacement kit	1
7	015665	Fitting: male elbow, 3/8 inch NPT x 1/2 inch push-in tube	2
8	428043	Pump replacement kit	1
9	015815	Fitting: elbow, 1/2 inch x 1/2 inch push-in tube, brass	2
10	074354	Cable holder: for 1/2 inch diameter cable	17
11	104407	Bushing: dust seal	6
12	074353	Cable holder: for 1/4 inch diameter cable	10
13	074355	Cable holder: for 3/4 inch diameter cable	10

Power supply



Item	Part Number	Description	Quantity
1	015669	Male connector 3/8 inch NPT x 1/2 inch	7
2	428034	Gas manifold replacement kit	1
3	428042	Pressure transducer replacement kit	2
4	428037	Flow meter replacement kit	1
5	109636	EMI filter: 250 VAC, 1 amp, 1 phase	2
6	229474	Thermistor: 3/8 inch diameter, copper pipe clip with connector	1
7	015663	Male connector 1/4 inch NPT x 1/2 inch tube	1
8	006075	Check valve	1
9	015664	Male elbow 1/4 inch NPT x 1/2 inch push-in tube	1
10	229482	Heat exchanger (with fan)	1
	127091	Heat exchanger fan only	1

Power supply

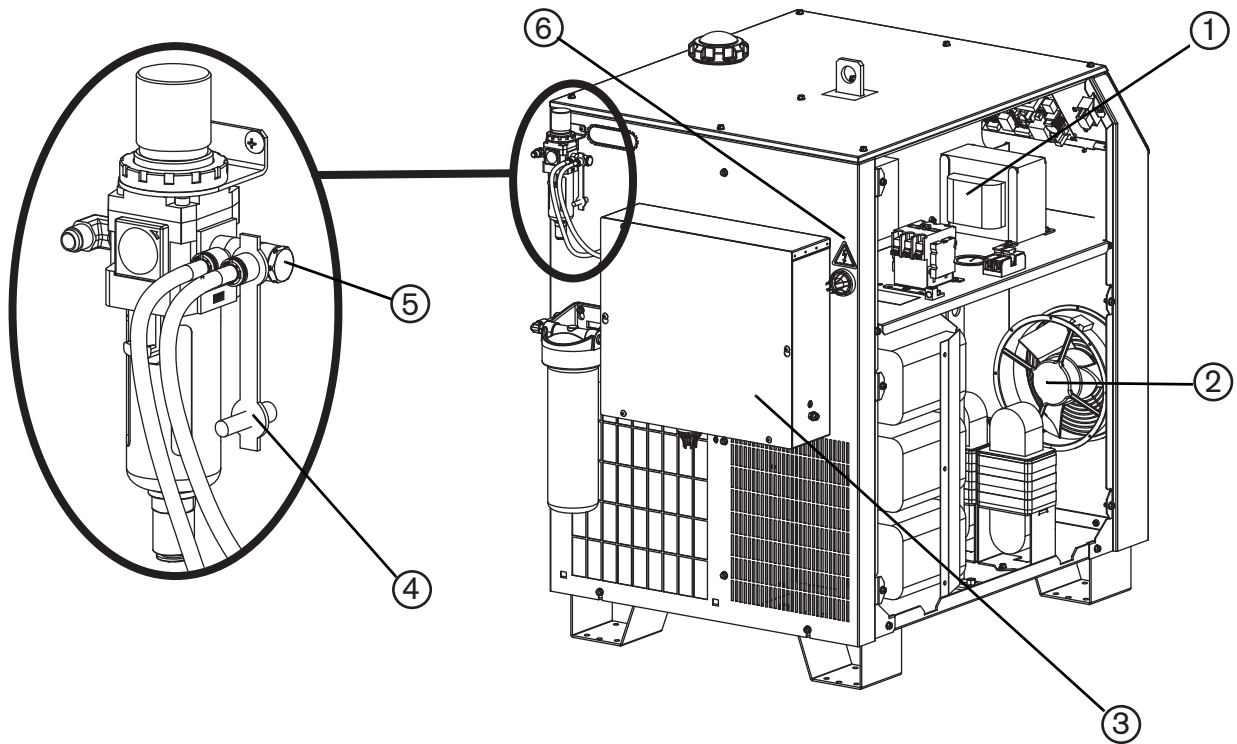


<b>Item</b>	<b>Part Number</b>	<b>Description</b>	<b>Quantity</b>
1	209177	EMI filter, 400V and 415V power supplies	
2	008301	Fuse holder	1
	108571	Fuse holder cover	1
	110513	Fuse label: F1-F2	1
	008551	Fuse: 7.5 amp, 600 volt: 380V, 400V, 415V, 440V, 480V, and 600V power supplies	2
	008709	Fuse: 20 amp, 500 volt: 200/208V, 220V, and 240V power supplies	2
3	027567	Fan guard	1
4	014373	Inductor	2
5	074212	Cable holder: self sticking, for 1/2 inch diameter cable	5
6	074356	Cable holder: for 1.0 inch diameter cable	5
7	108671	Terminal block: 14 AWG - 2/0	1
8	003249	Contactors: 380V, 400V, 415V, 440V, 480V, and 600V power supplies	1
	003233	Contactors: 200/208V, 220V, and 240V power supplies	1
	228309	Transformer thermistor (not shown)	1

**Power supply**

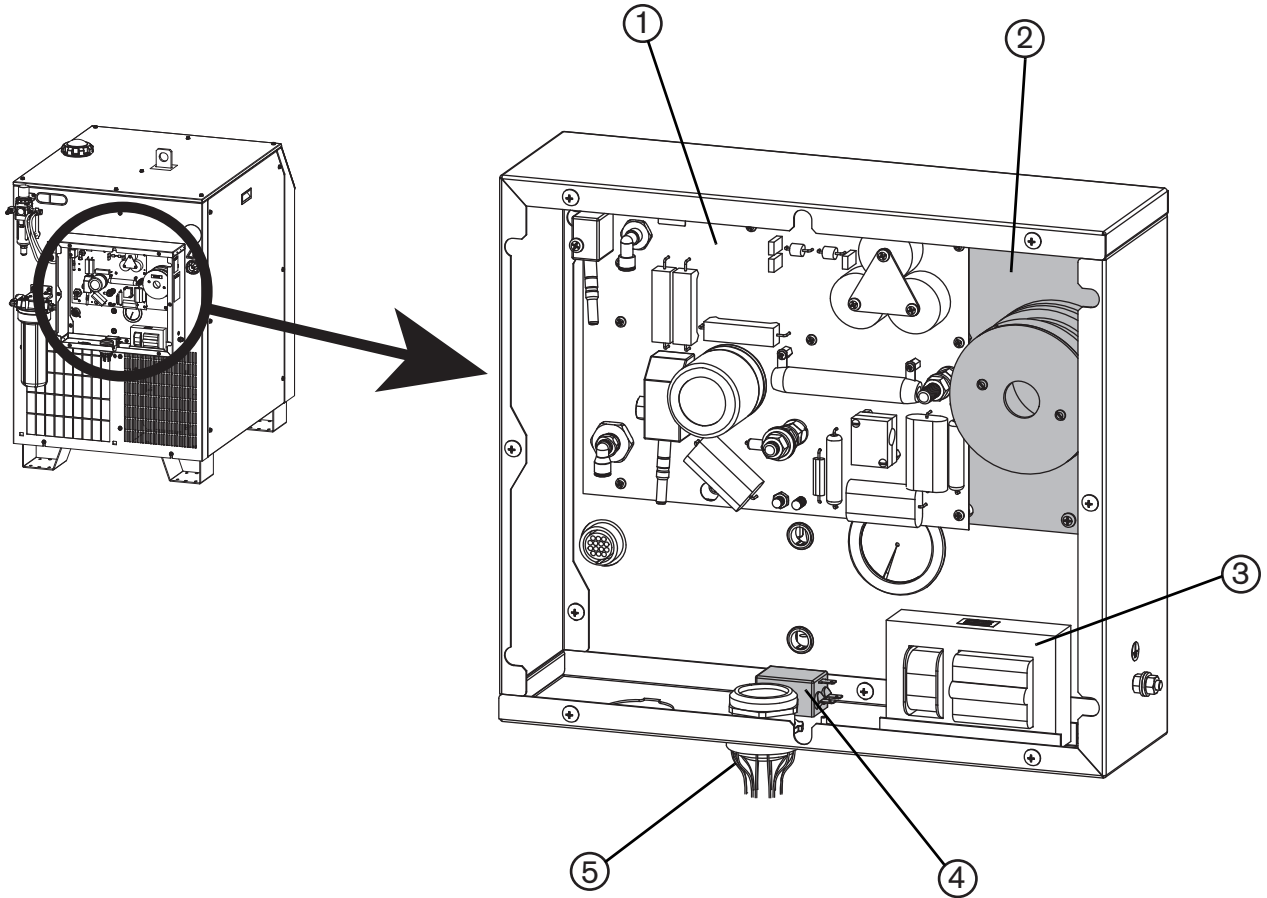
①

Control transformers			
Part number	Description	Part number	Description
229535	200 volt, 50–60 Hz	229538	415 volt, 50–60 Hz
229536	220 volt, 50–60 Hz	229539	440 volt, 50–60 Hz
229537	240 volt, 60 Hz	229488	480 volt, 60 Hz
229514	380 volt, 50 Hz	229540	600 volt, 50–60 Hz
229515	400 volt, 50 Hz		



Item	Part Number	Description	Quantity
1	See table above	Control transformer	1
2	027079	Fan: 450–550 cfm, 120 VAC 50–60 Hz	1
3	101205	Ignition enclosure panel (ignition)	1
4	428044	Inlet gas-plug replacement kit	1
5	015812	Adaptor: 1/4 inch NPT o-ring x 5/16 inch	1
6	010875	Label: Danger voltage	1
Not shown	428054	Kit: MAXPRO200 O <sub>2</sub> S/A (Oxygen quick connect kit)	1
Not shown	015015	Adapter: 1/4 inch NPT, #6, Male, 90 degree	1
Not shown	015817	Adapter: 3/8 inch FNPT x 1/2 inch push-in tube	1

Ignition enclosure



Item	Part Number	Description	Quantity
1	428040	I/O PCB replacement kit	1
2	428041	I/O panel replacement kit (includes PCB)	1
3	229487	Ignition transformer	1
4	109636	EMI filter	1
5	008482	Power cord strain relief (380V, 400V, 415V, 440V, 480V, and 600V power supplies)	1
	008052	Power cord strain relief (200/208V, 220V, and, 240V power supplies)	1

### Height control connection kits

#### Sensor THC connection kit – 428023

**Note:** This kit should only be ordered when purchasing a Sensor THC torch height control and a Hypertherm CNC that is shipped with a voltage divider card (packaged separately from the CNC). If you only need the voltage divider card order part number 141201.

The kit contains two wire groups (229554 and 229602). A CNC interface cable is not supplied. The desired length should be ordered separately.

#### Sensor PHC connection kit – 428022

The kit contains a PHC plasma interface assembly (228256) with a 1.3 m (5 feet) interface cable attached. A CNC interface cable is not supplied. The desired length should be ordered separately.

### Wire groups and harnesses

<b>Part Number</b>	<b>Description</b>
--------------------	--------------------

229437	Main wire harness: all power supplies
229438	Primary power wire group for 380V, 400V, 415V, 440V, 480V, and 600V power supplies
229439	EMI filter wire group for 400V and 415V power supplies
229558	Contactor wire adaptors
229561	Primary power wire group for 200/208V, 220V, and 240V power supplies

### USB cables for software updates

#### Cable for USB update – 223291

**Note:** This cable allows the system software to be upgraded using a USB memory stick.



#### Cable for USB update – 223273

**Note:** This cable allows the system software to be upgraded using a laptop.



## Parts List

---

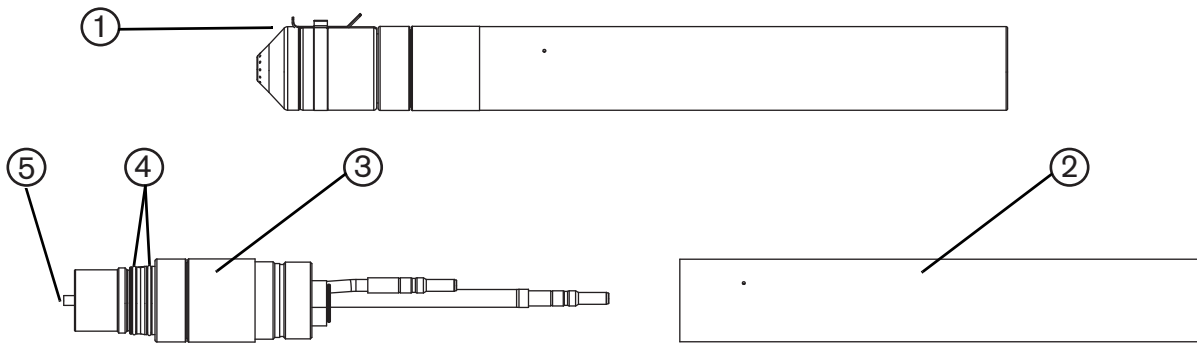
### Power supply gas hose kit – 228862

The kit contains:

<u>Part Number</u>	<u>Description</u>	<u>Length</u>
046077	Tubing: 1/4 inch OD, blue	1 foot
046078	Tubing: 1/4 inch OD, black	1 foot
046231	Tubing: 5/16 inch OD, black	2 feet

### Machine torches

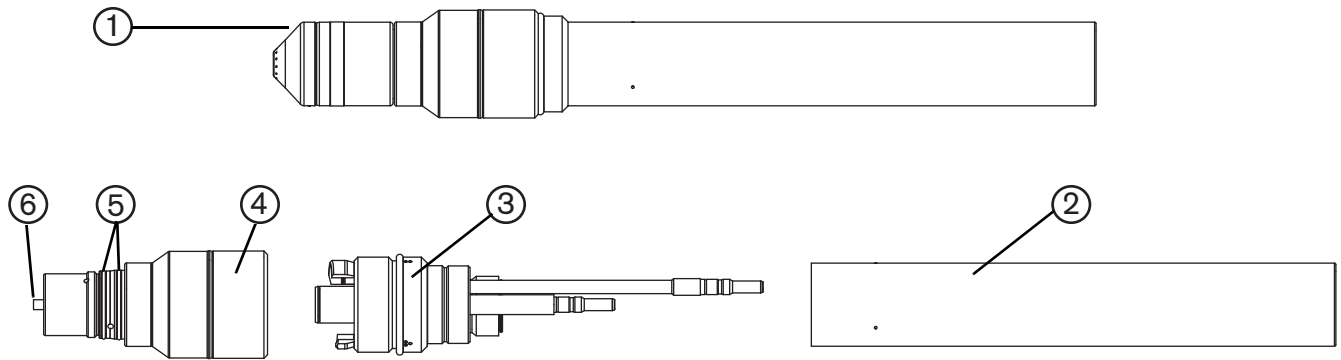
#### Straight torch



<u>Item</u>	<u>Part Number</u>	<u>Description</u>	<u>Quantity</u>
1	428024	Machine torch assembly with 2.0 inch mounting sleeve	1
	228937	Machine torch assembly with 1-3/4 inch mounting sleeve	1
2	220943	Torch Mounting sleeve: 2 inch	1
	220942	Torch Mounting sleeve: 1-3/4 inch	1
3	420087	Straight torch main body	1
4	044026	O-ring: 1.239 inch x 0.070 inch	2
5	220521	Water tube	1



Quick-disconnect torch



<b>Item</b>	<b>Part Number</b>	<b>Description</b>	<b>Quantity</b>
1	428027	Quick-disconnect torch assembly with 2.0 inch mounting sleeve	1
	428028	Quick-disconnect torch assembly with 1-3/4 inch mounting sleeve	1
2	220943	Torch Mounting sleeve: 2 inch	1
	220942	Torch Mounting sleeve: 1-3/4 inch	1
3	420033	Quick-disconnect torch receptacle	1
4	220921	Quick-disconnect torch main body	1
5	044026	O-ring: 1.239 inch x 0.070 inch	2
6	220521	Water tube	1

### Leads and cables

#### Machine torch leads

<u>Part Number</u>	<u>Length</u>
229477	7.5 m (25 feet)
229478	15 m (50 feet)
229479	23 m (75 feet)
229480	30 m (100 feet)

#### CNC cables

<u>Part Number</u>	<u>Length</u>
223327	1.3 m (5 feet)
223328	3.0 m (10 feet)
223329	7.5 m (25 feet)
223330	15 m (50 feet)
223331	23 m (75 feet)
223332	30 m (100 feet)

#### Work leads

<u>Part Number</u>	<u>Length</u>
223335	7.5 m (25 feet)
223336	15 m (50 feet)
223337	23 m (75 feet)
223338	30 m (100 feet)

#### Work clamp

<u>Part Number</u>	<u>Description</u>
008539	Ground clamp

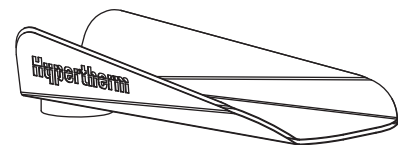
#### Hand torch leads

<u>Part Number</u>	<u>Length</u>
229498	7.5 m (25 feet)
229499	15 m (50 feet)
229500	23 m (75 feet)
229501	30 m (100 feet)

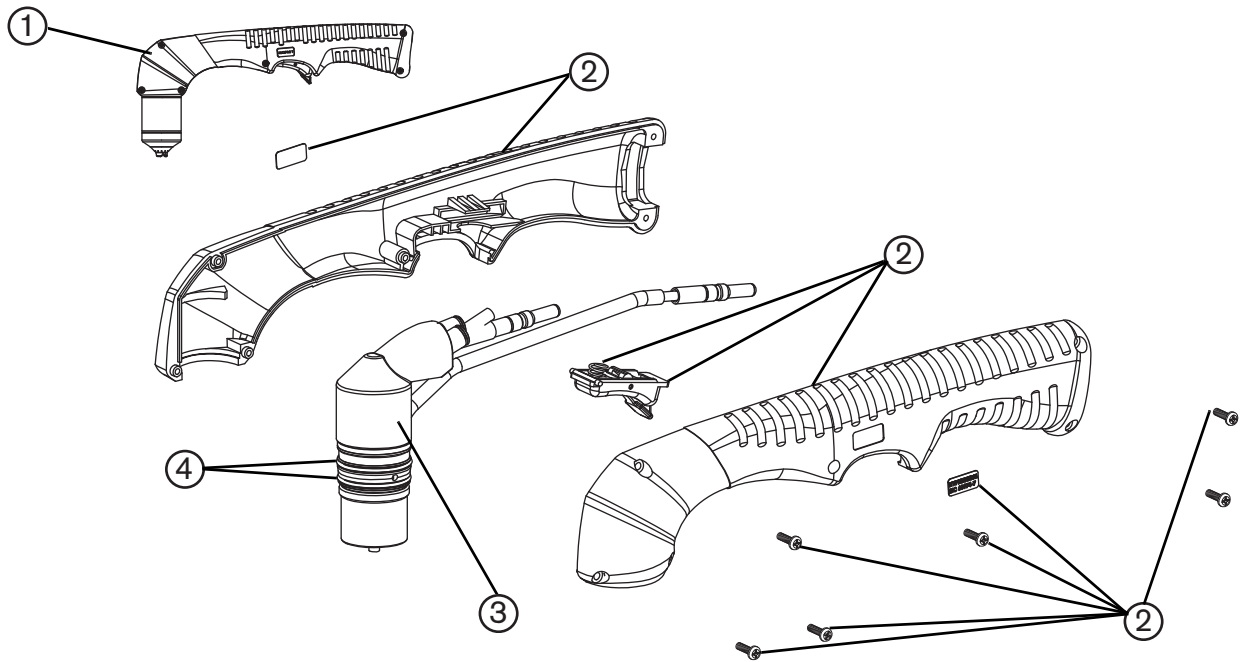
#### Inline valve kit

<u>Part Number</u>	<u>Description</u>
428055	Replacement for the valve located in the torch lead

#### Hand torch heat shield – 127389

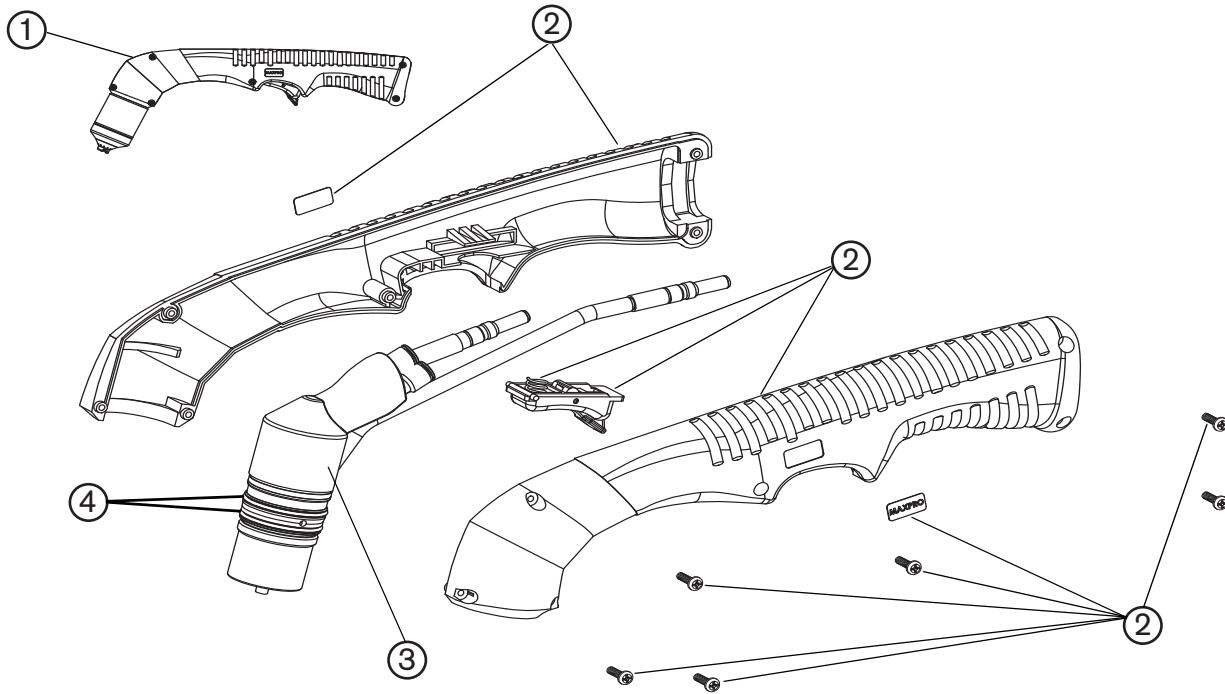


## 90 degree hand torch



<b>Item</b>	<b>Part Number</b>	<b>Description</b>	<b>Quantity</b>
1	420108	90 degree hand torch assembly	1
	228980	90 degree hand torch assembly with 7.5 m (25 feet) lead	1
	228981	90 degree hand torch assembly with 15 m (50 feet) lead	1
	228982	90 degree hand torch assembly with 23 m (75 feet) lead	1
	228983	90 degree hand torch assembly with 30 m (100 feet) lead	1
2	228985	Handle replacement kit	1
	001905	90 degree torch handle (left and right sides)	1
	002244	Safety trigger	1
	027254	Safety trigger spring	1
	075841	Pan head screws	6
	210185	Hand torch label	1
	210209	Hypertherm IEC label	1
3	420070	Torch main body	1
4	044026	O-ring: 1.239 inch x 0.070 inch	2

65 degree hand torch



Item	Part Number	Description	Quantity
1	420107	65 degree hand torch assembly	1
	228976	65 degree hand torch assembly with 7.5 m (25 feet) lead	1
	228977	65 degree hand torch assembly with 15 m (50 feet) lead	1
	228978	65 degree hand torch assembly with 23 m (75 feet) lead	1
	228979	65 degree hand torch assembly with 30 m (100 feet) lead	1
2	228986	Handle replacement kit	1
	001906	65 degree torch handle (left and right sides)	1
	002244	Safety trigger	1
	027254	Safety trigger spring	1
	075841	Pan head screws	6
	210184	Hand torch label	1
	210209	Hypertherm IEC label	1
3	420109	Torch main body	1
4	044026	O-ring: 1.239 inch x 0.070 inch	2

## Consumable parts kits

### Mechanized torch consumable kit – 428013

Part number	Description	Quantity
020415	Electrode: 200A and 130A, N <sub>2</sub>	2
027055	Silicone lubricant: 1/4 ounce tube	1
044026	O-ring: 1.239 x 0.070	2
104119	Consumable tool	1
220487	Electrode: 130 A, O <sub>2</sub> /Air	4
220488	Swirl ring: 130 A, O <sub>2</sub> /Air and 200 A, Air	2
220491	Shield:130 A, O <sub>2</sub>	1
220521	Water tube	1
220528	Electrode 50 A, O <sub>2</sub> /Air	4
220529	Swirl ring: 50 A, O <sub>2</sub> /Air and 130A or 200A, N <sub>2</sub>	1
220532	Shield: 50A, O <sub>2</sub> /Air	1
220536	Shield:130A, Air/N <sub>2</sub>	1
220831	Nozzle: 200A, O <sub>2</sub>	2
220832	Shield: 200A, O <sub>2</sub>	1
220834	Swirl ring: 200A, O <sub>2</sub>	1
220890	Nozzle: 50A, Air	2
220891	Nozzle: 50A, O <sub>2</sub>	2
220892	Nozzle: 130A, Air/N <sub>2</sub>	2
220893	Nozzle: 130A, O <sub>2</sub>	2
220935	Shield cap: O <sub>2</sub> /Air/N <sub>2</sub> , clockwise	1
220936	Shield cap: O <sub>2</sub> /Air/N <sub>2</sub> , clockwise, with IHS tab	1
220937	Electrode: 200, O <sub>2</sub> /Air	6
420044	Nozzle: 200A, Air/N <sub>2</sub>	6
420045	Shield: 200A, Air/N <sub>2</sub>	2
428054	Kit: MAXPRO200 O <sub>2</sub> S/A (Oxygen quick connect kit)	1
881430	MAXPRO200 machine torch brochure	1

### Hand torch consumable kit – 428014

<b>Part number</b>	<b>Description</b>	<b>Quantity</b>
027055	Silicone lubricant: 1/4 ounce tube	1
044026	O-ring: 1.239 x 0.070	2
104119	Consumable tool	1
220488	Swirl ring: 130A, O <sub>2</sub> /Air and 200 A, Air	2
220521	Water tube	1
220831	Nozzle: 200A, O <sub>2</sub>	2
220834	Swirl ring: 200A, O <sub>2</sub>	1
220935	Shield cap: O <sub>2</sub> /Air/N <sub>2</sub> , clockwise	2
220937	Electrode: 200A, O <sub>2</sub> /Air	8
420044	Nozzle: 200A, Air/N <sub>2</sub>	4
420058	Shield: 200A, Air/N <sub>2</sub>	2
420059	Shield: 200A, O <sub>2</sub>	1
420066	Nozzle: 200A, Air, Gouging	2
420067	Shield: 200A, Air, Gouging	2
428054	Kit: MAXPRO200 O <sub>2</sub> S/A (Oxygen quick connect kit)	1
881440	MAXPRO200 hand torch brochure	1

## Supply gas hoses



**Caution: Never use PTFE tape on any joint preparation**

### Oxygen



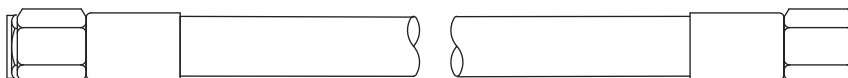
Part number	Length	Part number	Length
024607	3 m (10 ft)	024738	25 m (82 ft)
024204	4.5 m (15 ft)	024450	35 m (115 ft)
024205	7.5 m (25 ft)	024159	45 m (150 ft)
024760	10 m (35 ft)	024333	60 m (200 ft)
024155	15 m (50 ft)	024762	75 m (250 ft)
024761	20 m (65 ft)		

### Nitrogen



Part number	Length	Part number	Length
024210	3 m (10 ft)	024739	25 m (82 ft)
024203	4.5 m (15 ft)	024451	35 m (115 ft)
024134	7.5 m (25 ft)	024120	45 m (150 ft)
024211	10 m (35 ft)	024124	60 m (200 ft)
024112	15 m (50 ft)	024764	75 m (250 ft)
024763	20 m (65 ft)		

### Air



Part number	Length	Part number	Length
024671	3 m (10 ft)	024740	25 m (82 ft)
024658	4.5 m (15 ft)	024744	35 m (115 ft)
024659	7.5 m (25 ft)	024678	45 m (150 ft)
024765	10 m (35 ft)	024680	60 m (200 ft)
024660	15 m (50 ft)	024767	75 m (250 ft)
024766	20 m (65 ft)		

**Recommended spare parts**

<b>Part number</b>	<b>Description</b>	<b>Quantity</b>
003233	Contactors: 200/208V, 220V, and 240V power supplies	1
003249	Contactors: 380V, 400V, 415V, 440V, 480V, and 600V power supplies	1
011093	Air filter element	1
027005	Coolant filter element	1
027055	Silicone lubricant: 1/4 ounce tube	1
027079	Fan: 450–550 cfm, 120 VAC 50–60 Hz	1
028872	Coolant solution, 70/30 PG, 1 gallon	4
127091	Heat exchanger fan	1
141171	Control Board	1
220921	Quick-disconnect torch main body	1
220942	Torch Mounting sleeve: 1-3/4 inch	1
220943	Torch Mounting sleeve: 2 inch	1
420033	Quick-disconnect torch receptacle	1
420070	90 degree torch main body	1
420087	Straight torch main body	1
420109	65 degree torch main body	1
428034	Gas manifold replacement kit	1
428035	Castor wheel kit	1
428036	Chopper replacement kit	1
428037	Flow meter replacement kit	1
428038	Coolant filter replacement kit	1
428039	Pump motor replacement kit	1
428040	I/O PCB replacement kit	1
428041	I/O panel replacement kit (includes PCB)	1
428042	Pressure transducer replacement kit	1
428043	Pump replacement kit	1
428044	Inlet gas-plug replacement kit	1
428054	Kit: MAXPRO200 O <sub>2</sub> S/A (Oxygen quick connect kit)	1
428055	In-line valve replacement kit	1



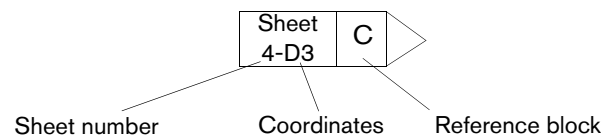
## Section 6

### Wiring Diagrams

---



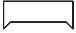
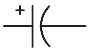
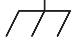

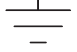
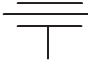

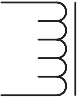
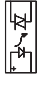

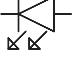
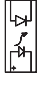
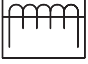





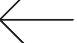


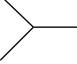




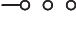



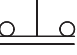
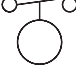

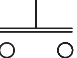

This section contains the wiring diagrams for the system. When you trace a signal path, or reference the *Parts List* or *Troubleshooting* sections, the following conventions will help you understand the organization of the wiring diagrams:

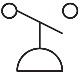
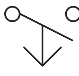

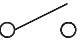


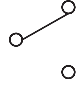
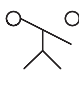
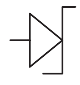
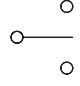
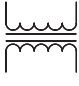
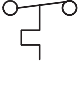
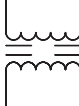
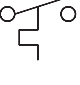

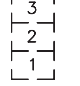
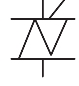
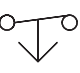

- Sheet numbers are located in the lower, right-hand corner of each page.
- References to other pages use the following connection symbol:




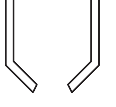
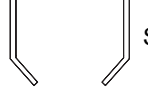

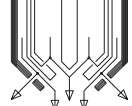
Use the sheet number to find the reference sheet. Line up the coordinates A–D on the Y axis and numbers 1–4 on the X axis of each sheet to find the reference blocks (similar to a road map).

## Wiring diagram symbols

	Battery		Ground clamp		Receptacle
	Cap, polarized		Ground, chassis		Relay, coil
	Cap, not polarized		Ground, earth		Relay, normally closed
	Cap, feed-through		IGBT		Relay, normally open
	Circuit breaker		Inductor		Relay, solid state, AC
	Coax shield		LED		Relay, solid state, DC
	Current sensor		Lamp		Relay, solid state
	Current sensor		MOV		Resistor
	DC supply		Pin		SCR
	Diode		Socket		Shield
	Door interlock		Plug		Shunt
	Fan		PNP transistor		Spark gap
	Feed-through LC		Potentiometer		Switch, flow
	Filter, AC		Push button, normally closed		Switch, level, normally closed
	Fuse		Push button, normally open		Switch, pressure, normally closed

	Switch, pressure, normally open		Time delay open, NO/off		Valve, solenoid
	Switch, 1 pole, 1 throw		Time delay open, NC/on		Voltage source
	Switch, 1 pole, 2 throw		Time delay closed, NO/off		Zener diode
	Switch, 1 pole, 2 throw, center off		Transformer		
	Switch, temperature, normally closed		Transformer, air core		
	Switch, temperature, normally open		Transformer, coil		
	Terminal block		Triac		
	Time delay closed, NC/off		VAC source		

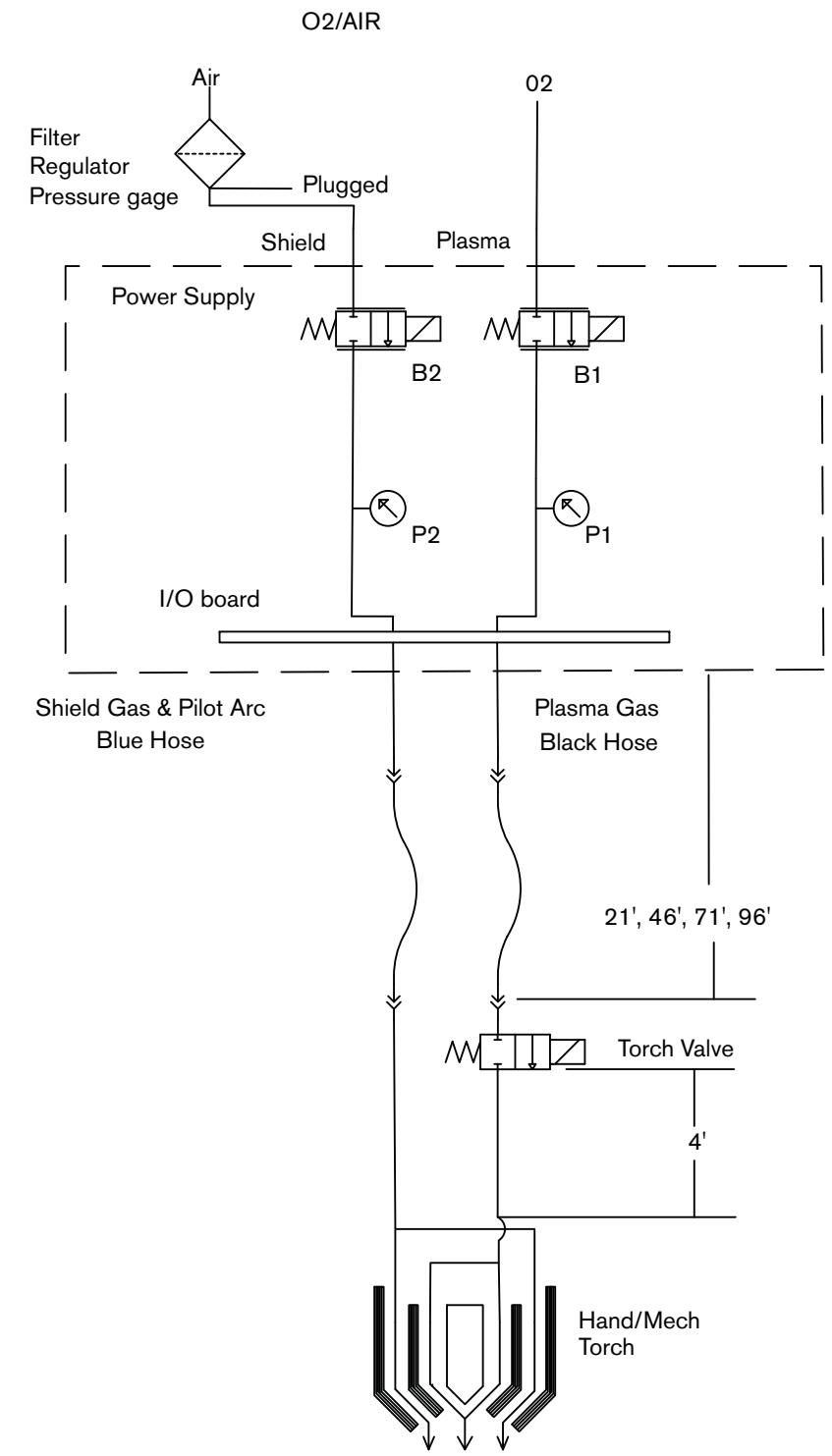
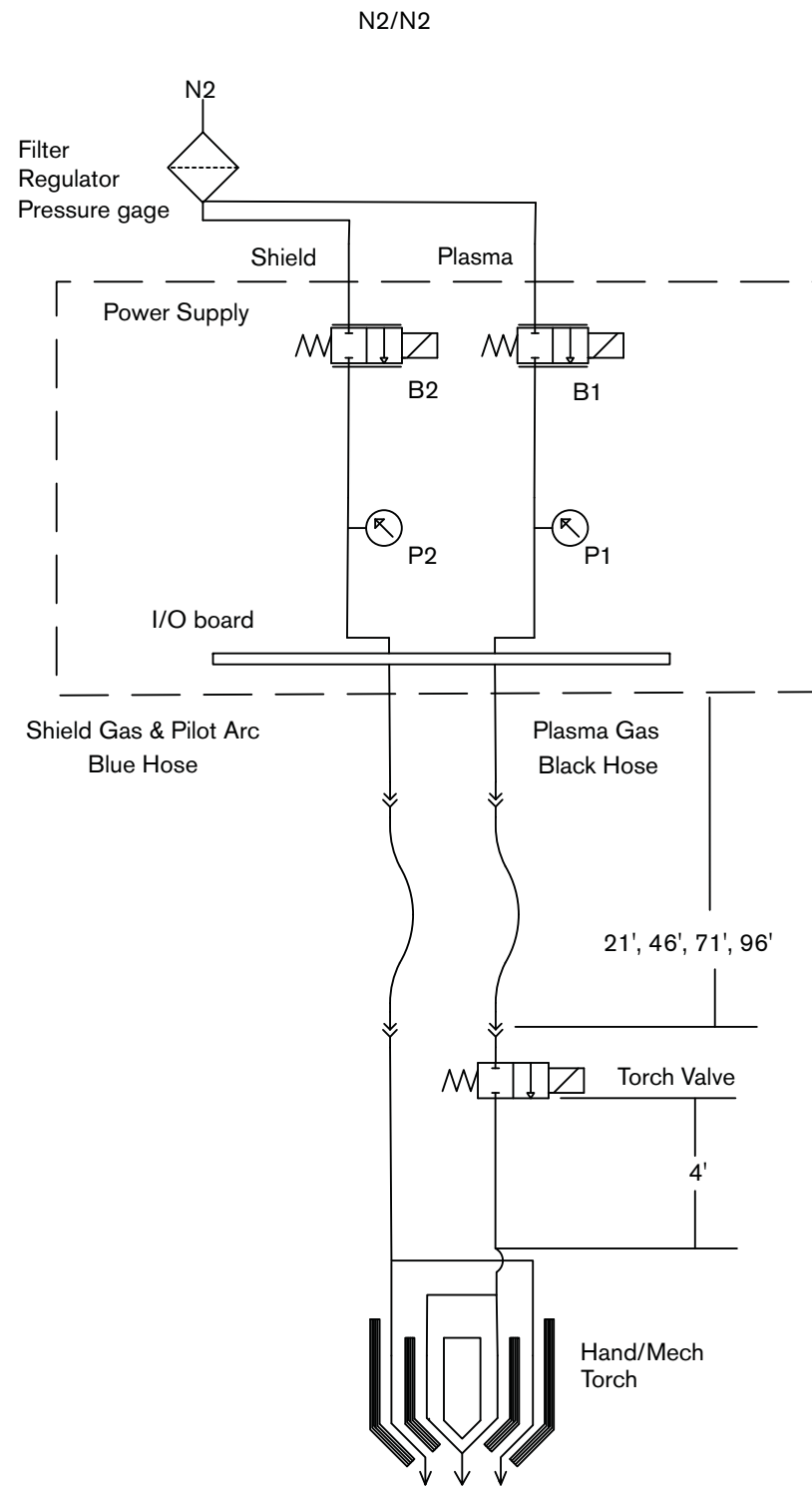
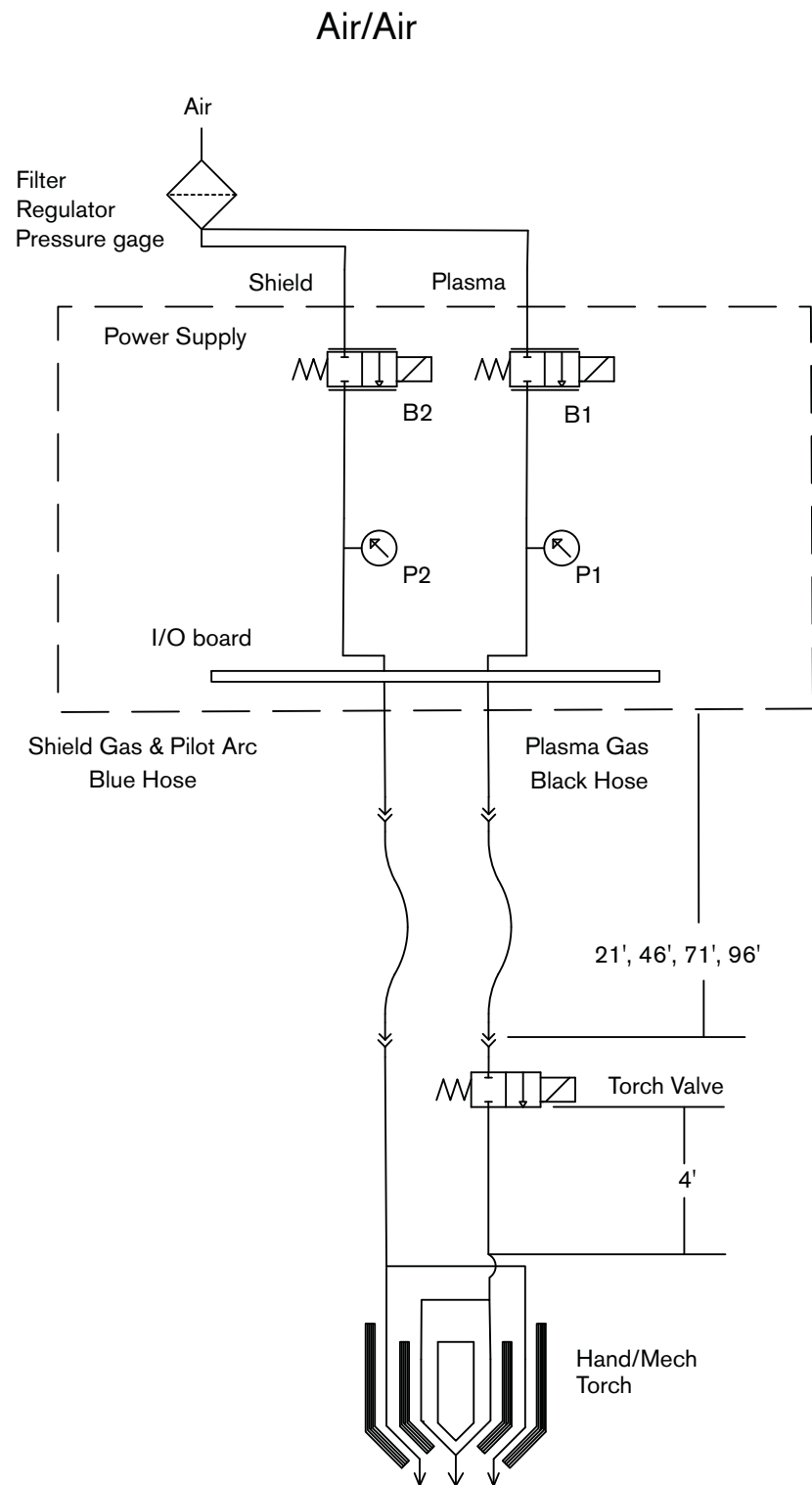
## Torch symbols

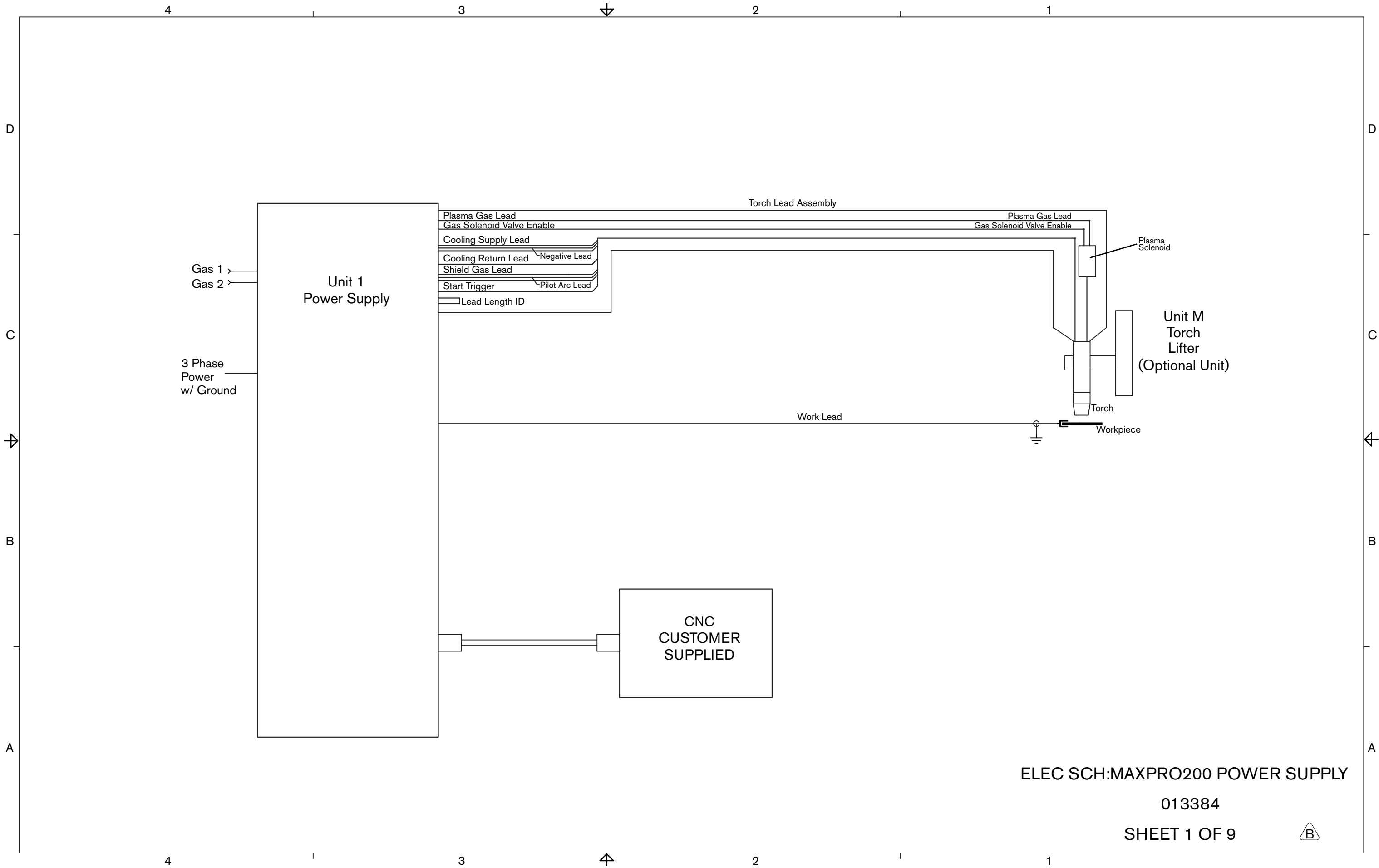
	Electrode
	Nozzle
	Shield
	Torch
	Torch, HyDefinition™



# MAXPRO 200

## Gas Schematic



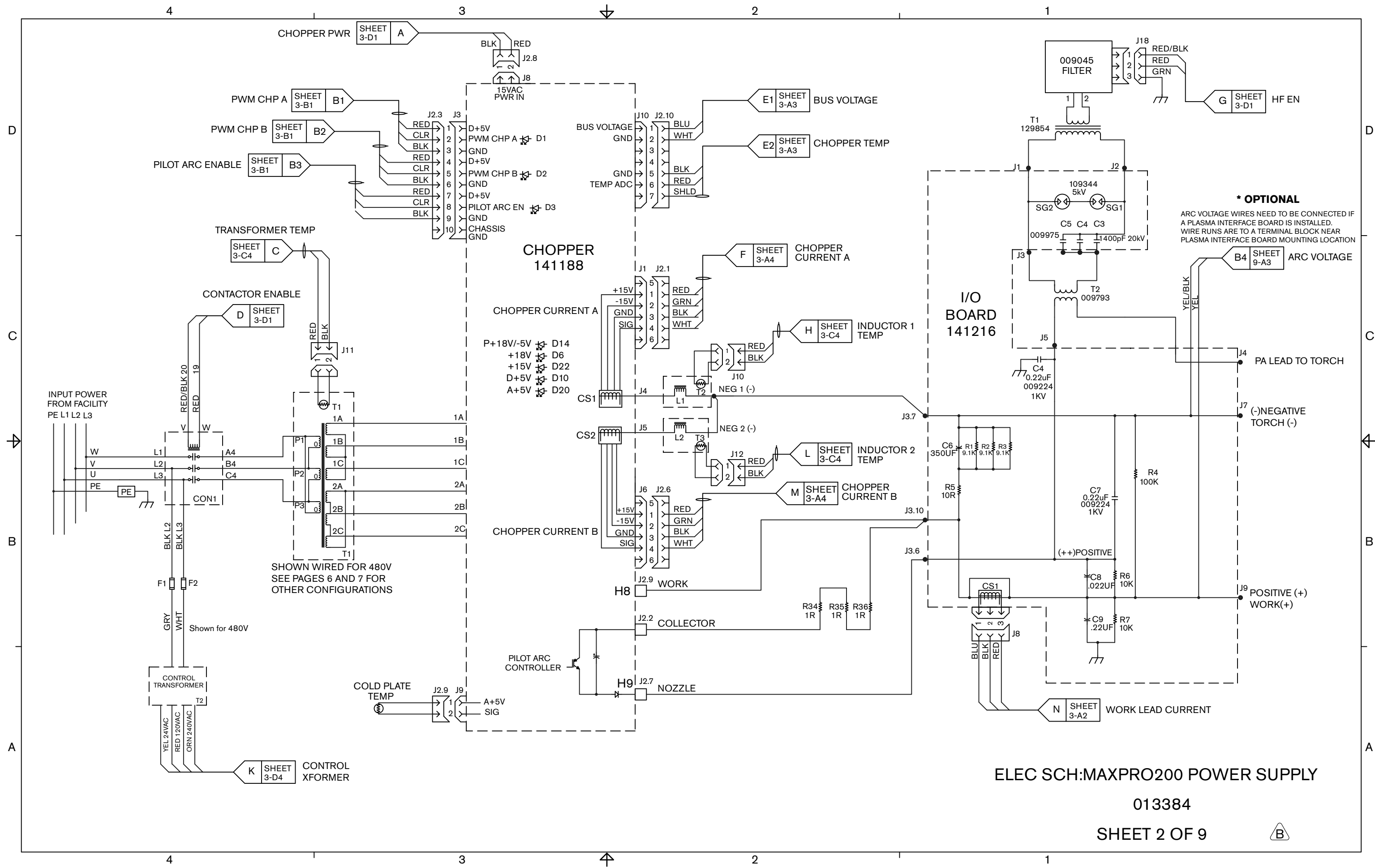


ELEC SCH:MAXPRO200 POWER SUPPLY

013384

SHEET 1 OF 9





ELEC SCH:MAXPRO200 POWER SUPPLY

013384

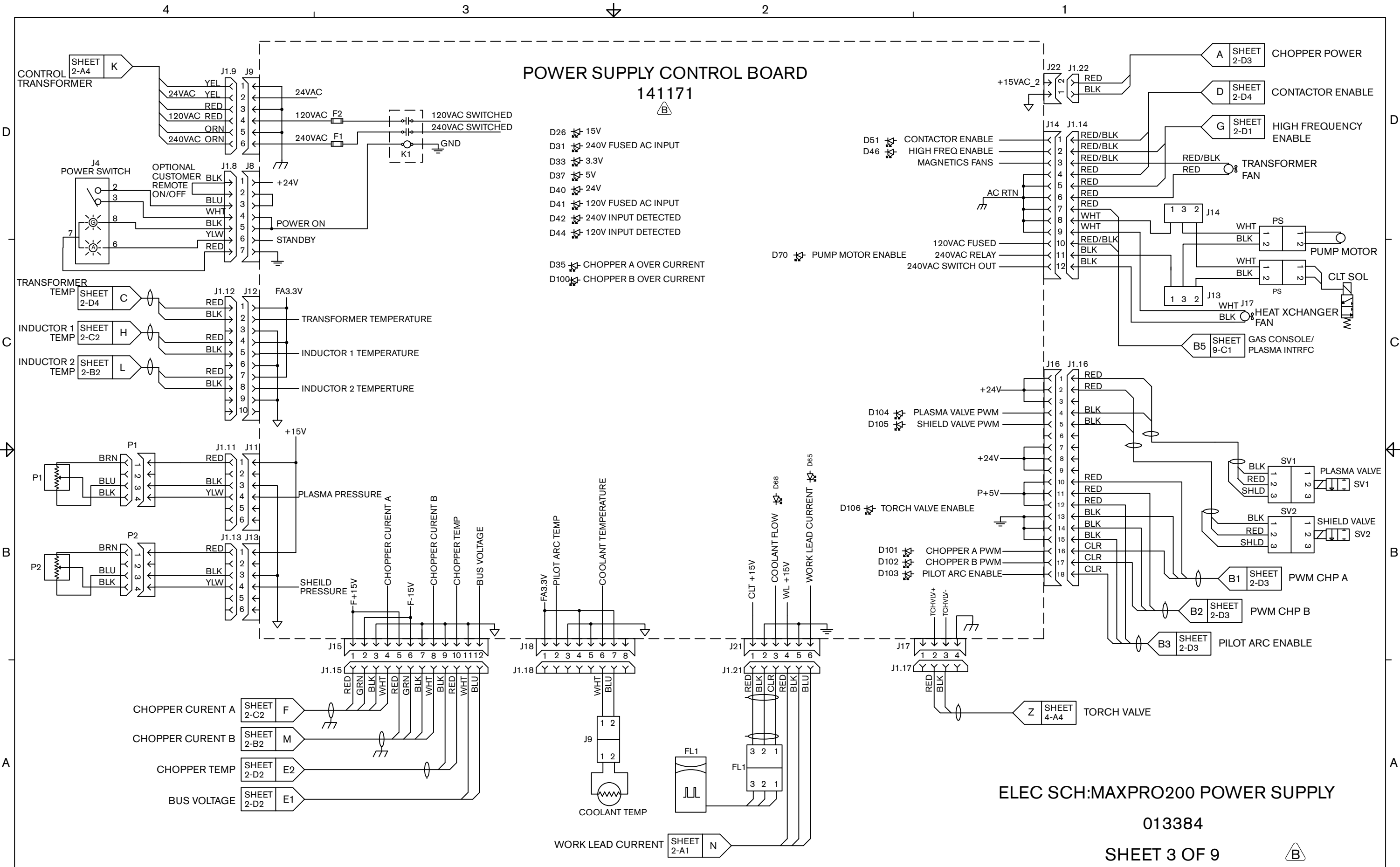
SHEET 2 OF 9



# POWER SUPPLY CONTROL BOARD

141171

- D26 15V
- D31 240V FUSED AC INPUT
- D33 3.3V
- D37 5V
- D40 24V
- D41 120V FUSED AC INPUT
- D42 240V INPUT DETECTED
- D44 120V INPUT DETECTED
- D35 CHOPPER A OVER CURRENT
- D100 CHOPPER B OVER CURRENT

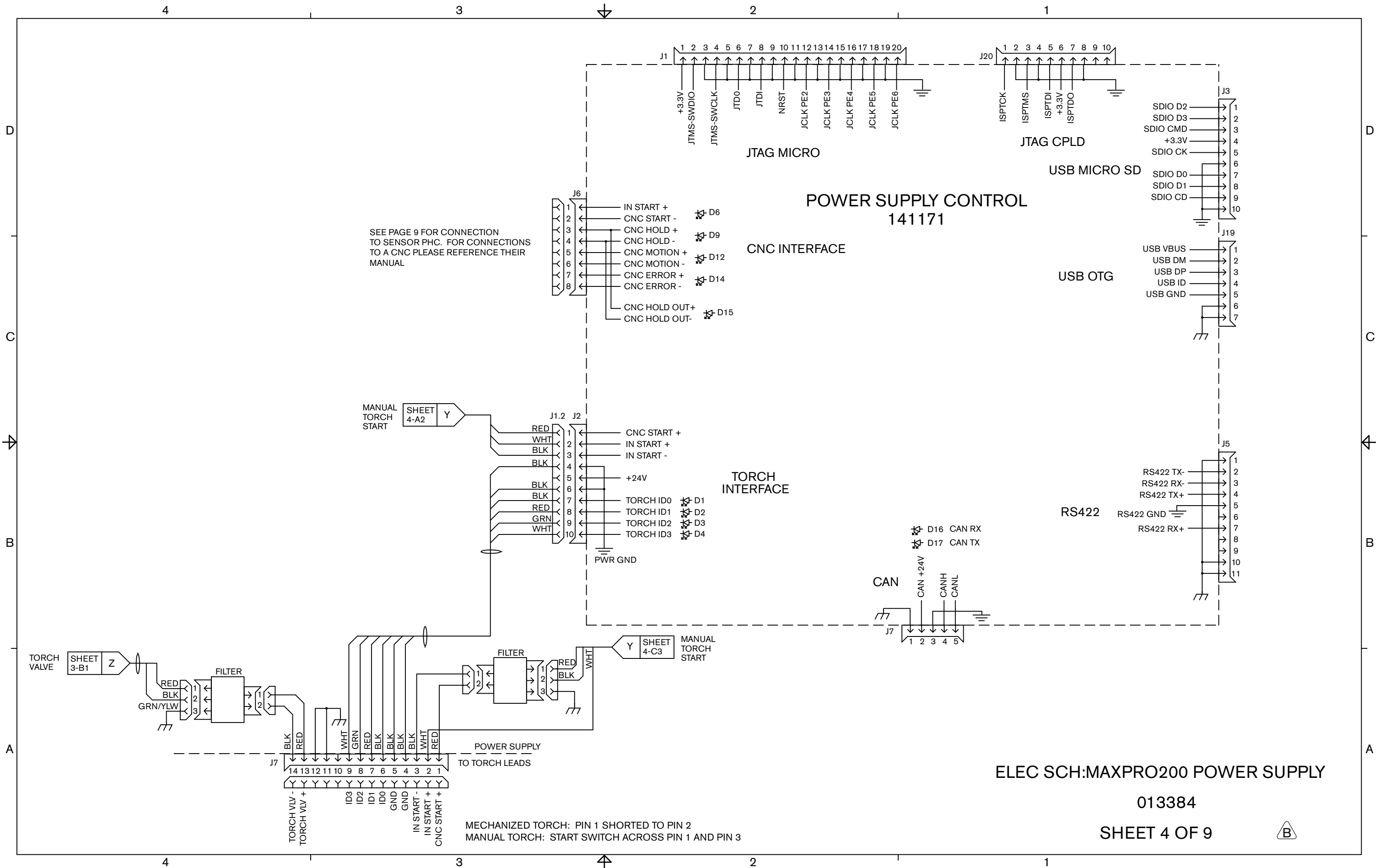


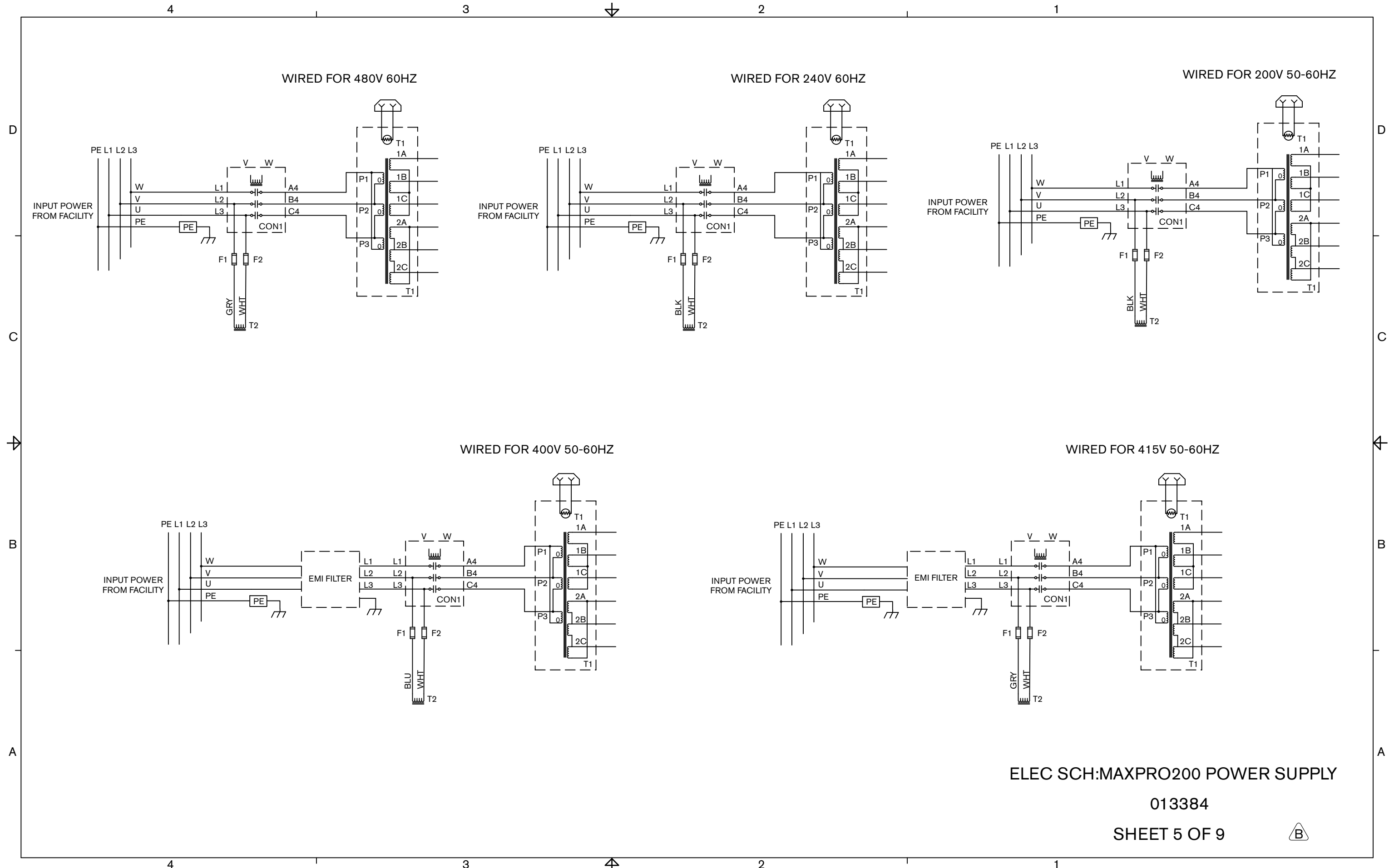
ELEC SCH:MAXPRO200 POWER SUPPLY

013384

SHEET 3 OF 9







ELEC SCH:MAXPRO200 POWER SUPPLY

013384

SHEET 5 OF 9



4

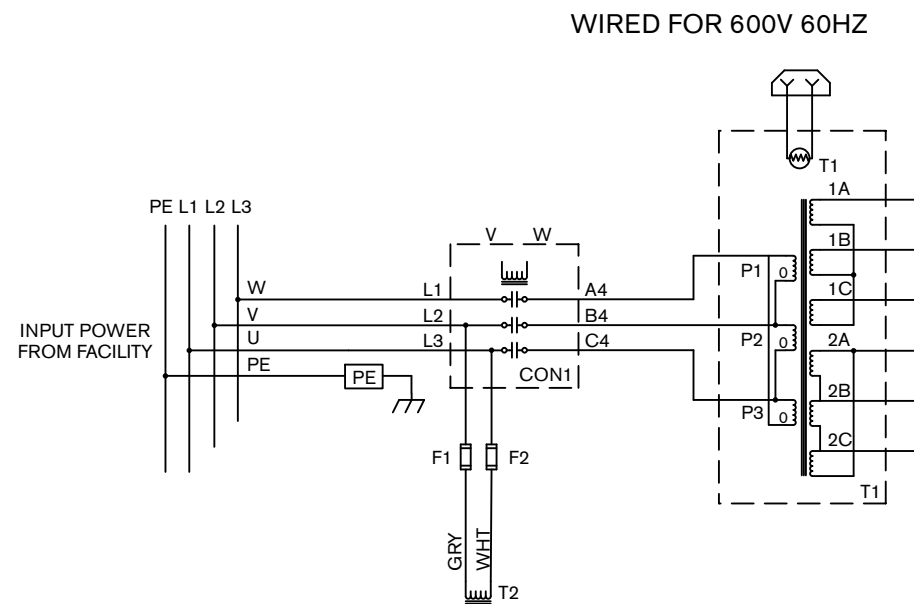
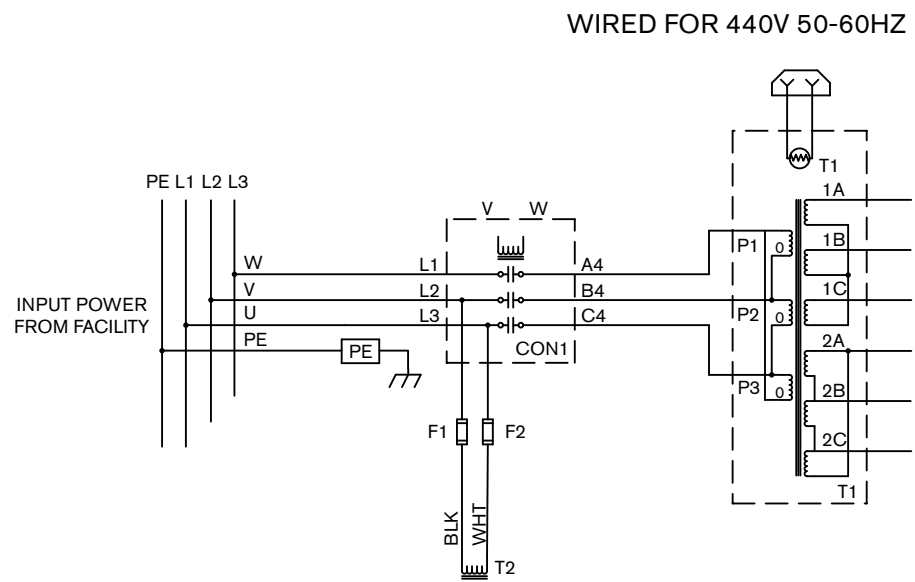
3

2

1

D

D

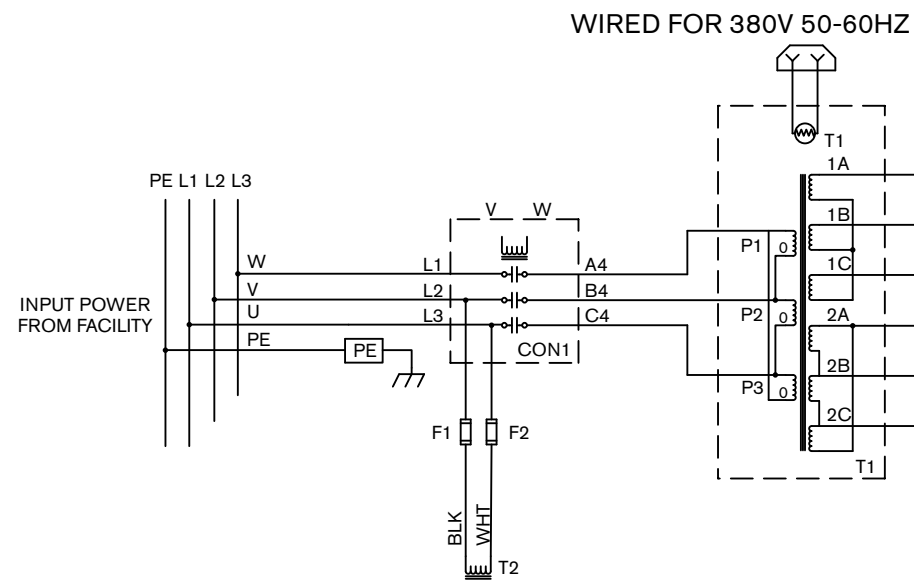
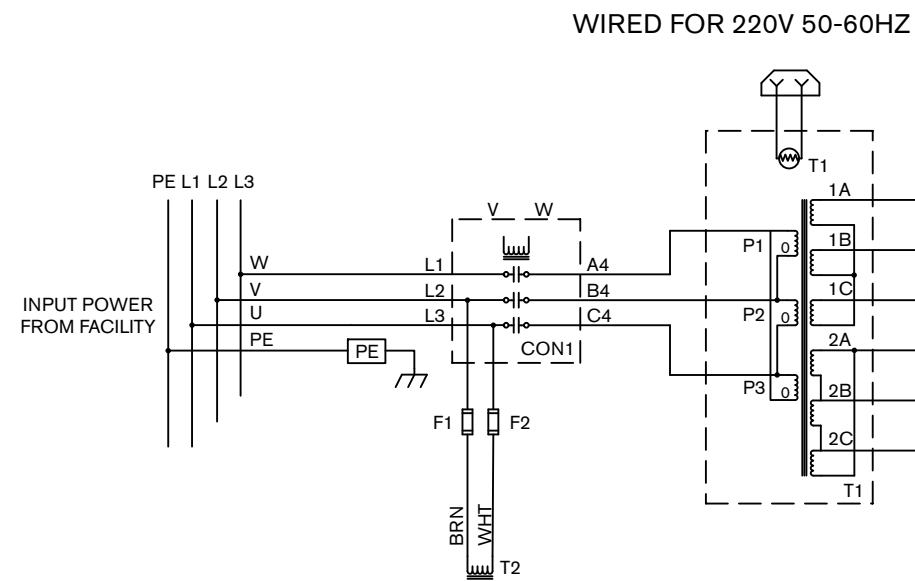


C

C

B

B



A

A

ELEC SCH:MAXPRO200 POWER SUPPLY

013384

SHEET 6 OF 9

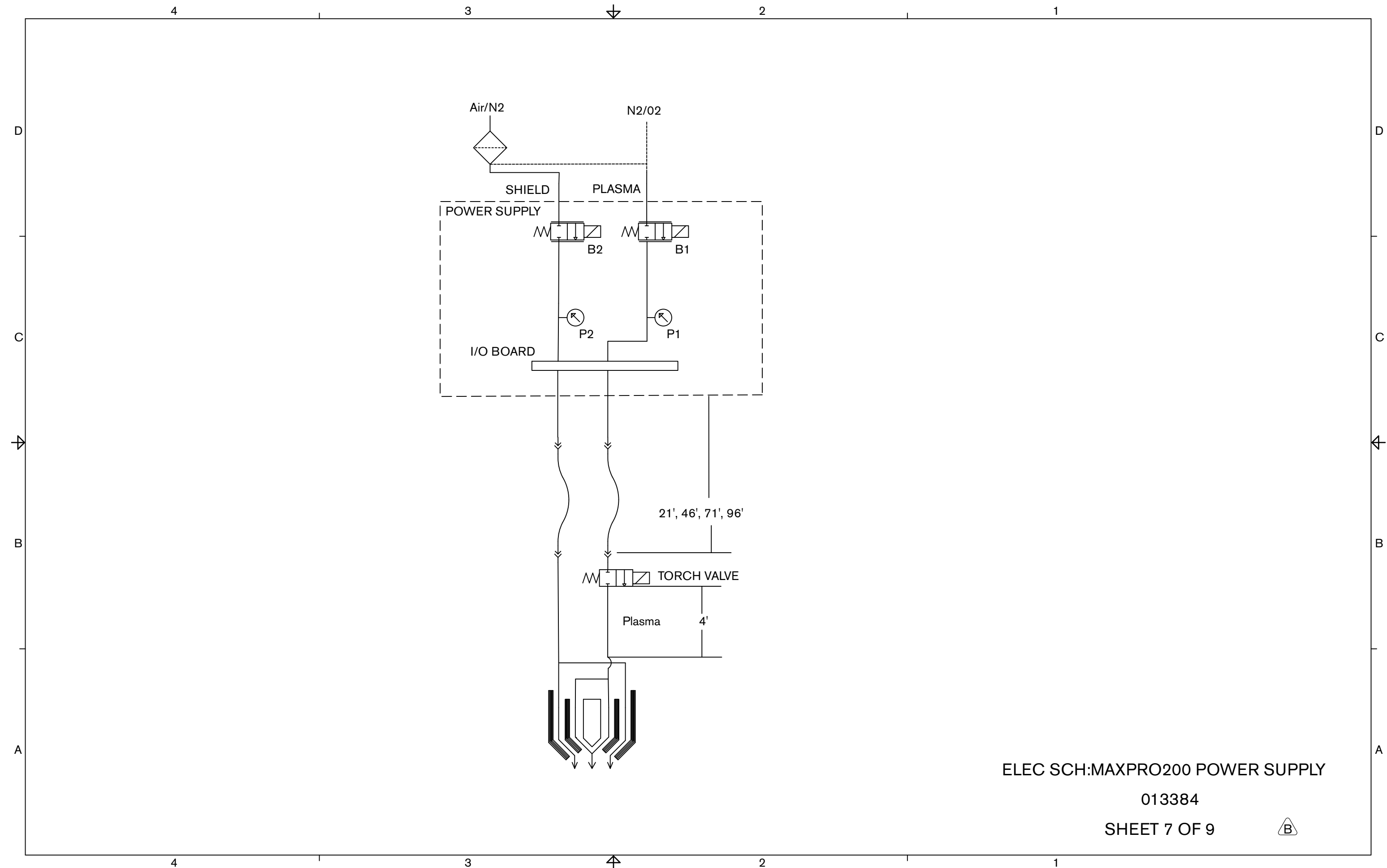


4

3

2

1



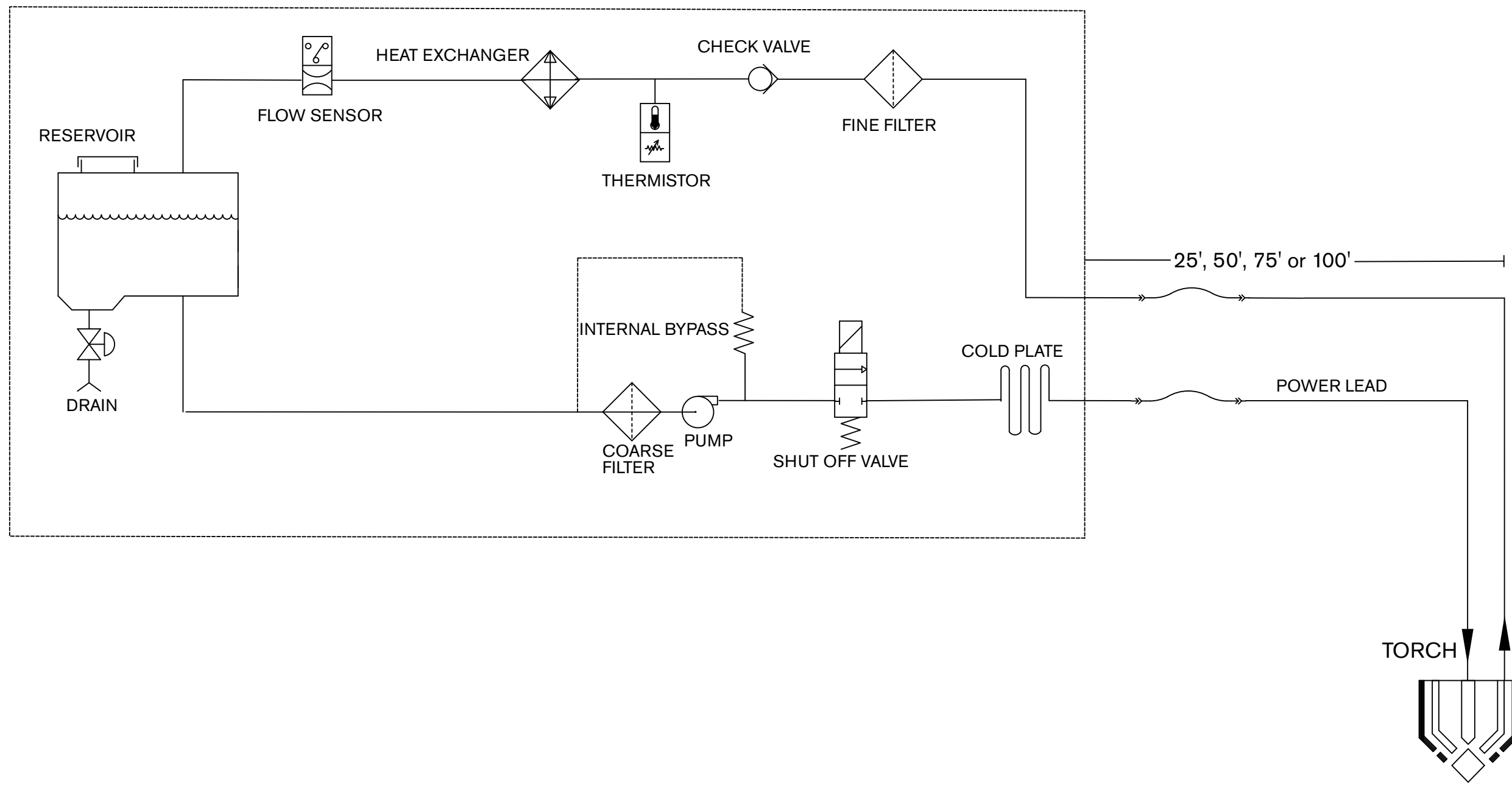
ELEC SCH:MAXPRO200 POWER SUPPLY

013384

SHEET 7 OF 9



# Power supply



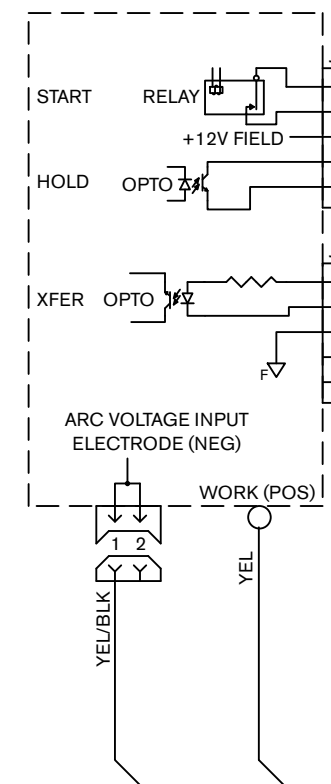
ELEC SCH:MAXPRO200 POWER SUPPLY

013384

SHEET 8 OF 9

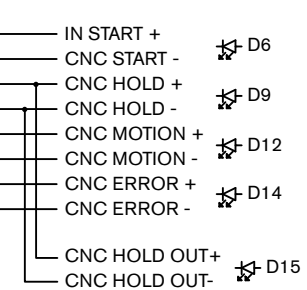


SENSOR PHC  
PLASMA INTERFACE I/O

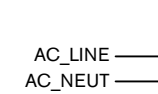
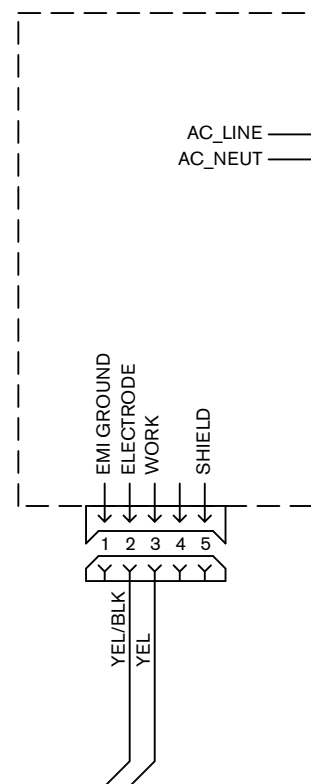


POWER SUPPLY CONTROL  
141171

CNC INTERFACE



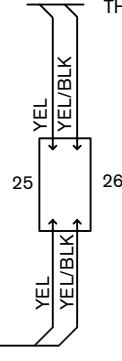
SENSOR THC  
PLASMA INTERFACE I/O  
141201



B5 SHEET 3-C1 GAS CONSOLE/  
PLASMA INTRFC

CONNECTIONS SHOWN FOR

SENSOR PHC OR SENSOR THC



ARC VOLTAGE

SHEET 2-C1 B4

ELEC SCH:MAXPRO200 POWER SUPPLY

013384

SHEET 9 OF 9



# Material Safety Data Sheet (MSDS) – Torch Coolant Safety Data

## 1 – Identification of the substance/mixture and of the company undertaking

### Product identifier – Torch Coolant 30% PG Mixture

GHS Product Identifier – **Not applicable.**

Chemical Name – **Not applicable.**

Trade name – **Torch Coolant 30% PG Mixture**

CAS No. – **Not applicable.**

EINECS No. – **Not applicable.**

REACH Registration No. – **Not available.**

### Relevant identified uses of the substance or mixture and uses advised against

Identified use(s) – **Industrial use only.**

Uses advised against – **Not available.**

### Details of the supplier of the safety data sheet

Company Identification – **Hypertherm**

Telephone – **+1 (603) 643-5638 (USA), +31 (0) 165 596 907 (Europe)**

E-Mail (competent person) – **technical.service@Hypertherm.com**

Address – **P.O. Box 5010, Hanover, NH 03755 USA (USA),**

**Vaartveld 9, 4704 SE Roosendaal, Nederlands (Europe)**

Emergency telephone number – **(800) 255-3924 (USA), +1 (813) 248-0585 (International)**

**Hypertherm**<sup>®</sup>



## 2 – Hazards identification

EC Classification	NONE	GHS Classification Signal word (s)	NONE
NONE	NONE	NONE	NONE

According to Regulation (EC) No. 1272/2008 (CLP) – NONE

According to Directive 67/548/EEC & Directive 1999/45/EC – NONE

Preparation is not classified as hazardous in the sense of directive 1999/45/EC and 2006/121/EC.

Risk Phrases – NONE



Safety Phrases – NONE

Hazard statement(s) – NONE

Precautionary statement(s) – NONE

<b>Date</b>	<b>SAFETY DATA SHEET</b>	<b>Revision</b>
6 Dec 2010	<b>Torch Coolant 30% PG Mixture</b>	2.01CLP

### 3 – Composition / Information on ingredients

HAZARDOUS INGREDIENT 1	% W/W	CAS No.	EC No.	EC Classification
Propylene Glycol	30-50	57-55-6	200-338-0	<b>NONE</b>
<b>GHS Classification</b>				<b>NONE</b>
<b>Not classified</b>				<b>NONE</b>
HAZARDOUS INGREDIENT 2	% W/W	CAS No.	EC No.	EC Classification
Benzotriazole	< 1.0	95-14-7	202-394-1	<b>Xn, F</b>
<b>GHS Classification</b>				
<b>WARNING</b>	 	<b>Acute Tox. 4 (Oral, Dermal, Inhalation) Eye Irrit. 2, Aquatic Chronic 3</b>		<b>H302, 312, 319, 332, 412</b>

For full text of R phrases see section 16. For full text of H/P phrases see section 16. Non-hazardous components are not listed.

### 4 – First Aid measures

<b>Inhalation</b>	Unlikely to be hazardous by inhalation unless present as an aerosol. Remove patient from exposure.
<b>Skin Contact</b>	Wash skin with water.
<b>Eye Contact</b>	If substance has gotten into the eyes, immediately wash out with plenty of water for several minutes.
<b>Ingestion</b>	Laxative. Do not induce vomiting. If swallowed, seek medical advice immediately and show this container or label.
<b>Further Medical Treatment</b>	Unlikely to be required but if necessary treat symptomatically.

### 5 – Fire-Fighting measures

Combustible but not readily ignited.

<b>Extinguishing media</b>	Extinguish preferably with dry chemical, foam or water spray.
<b>Unsuitable Extinguishing Media</b>	None known.
<b>Fire Fighting Protective Equipment</b>	A self contained breathing apparatus and suitable protective clothing should be worn in fire conditions.

### 6 – Accidental release measures

<b>Personal Precautions</b>	Put on protective clothing.
<b>Environmental Exposure Controls</b>	Absorb spillages onto sand, earth or any suitable adsorbent material.
<b>Other</b>	None.




<b>Date</b>	<b>SAFETY DATA SHEET</b>	<b>Revision</b>
6 Dec 2010	<b>Torch Coolant 30% PG Mixture</b>	2.01CLP

## 7 – Handling and storage

<b>Handling</b>	Unlikely to cause harmful effects under normal conditions of handling and use.
<b>Storage</b>	Keep container tightly closed and dry. Keep away from heat. Keep out of the reach of children. Keep away from oxidizing agents.
Storage Temperature:	Ambient.
Storage Life:	Stable at ambient temperatures.
Specific Use:	Industrial use only.

## 8 – Exposure controls / personal protection

	<b>Respirators</b>	Normally no personal respiratory protection is necessary. Wear suitable respiratory protective equipment if exposure to levels above the occupational exposure limit is likely. A suitable dust mask or dust respirator with filter type A/P may be appropriate.
	<b>Eye Protection</b>	Safety spectacles.
	<b>Gloves</b>	Wearing of chemical protective gloves is not necessary.
	<b>Body protection</b>	None.
	<b>Engineering Controls</b>	Ensure adequate ventilation to remove vapors, fumes, dust etc.
	<b>Other</b>	None.

## OCCUPATIONAL EXPOSURE LIMITS

SUBSTANCE	CAS No.	LTEL (8 hr TWA ppm)	LTEL (8 hr TWA mg/m <sup>3</sup> )	STEL (ppm)	STEL (mg/m <sup>3</sup> )	Note:
<b>Propylene Glycol</b>	<b>57-55-6</b>	<b>NE</b>	<b>10*</b>	<b>NE</b>	<b>NE</b>	<b>AIHA WEEL in the USAA</b>
<b>Benzotriazole</b>	<b>95-14-7</b>	<b>NE</b>	<b>NE</b>	<b>NE</b>	<b>NE</b>	<b>None</b>

## 9 – Physical and chemical properties

### Information on basic physical and chemical properties

Appearance – <b>Liquid</b>	Vapor Pressure (mm Hg) – <b>Not available</b>
Color – <b>Pinkish-Reddish</b>	Vapor Density (Air= 1) – <b>Not available</b>
Odor – <b>Slight</b>	Density (g/ml) – <b>1.0 ± 0.1 g/ml</b>
Odor Threshold (ppm) – <b>Not available</b>	Solubility (Water) – <b>Soluble</b>
pH (Value) – <b>5.5-7.0 (Concentrated)</b>	Solubility (Other) – <b>Not established</b>
Melting Point (°C) / Freezing Point (°C) – <b>&lt; -0°C / (&lt; 32°F)</b>	Partition Coefficient (n-Octanol/water) – <b>Not available</b>
Boiling point/boiling range (°C): <b>&gt;100°C (&gt;212°F)</b>	Auto Ignition Temperature (°C) – <b>Not available</b>
Flash Point (°C) – <b>&gt;95°C (&gt;203°F)</b>	Decomposition Temperature (°C) – <b>Not available</b>
Evaporation rate – <b>Not available</b>	Viscosity (mPa.s) – <b>Not available</b>
Flammability (solid, gas) – <b>Non-flammable</b>	Explosive properties – <b>Not explosive</b>
Explosive limit ranges – <b>Not available</b>	Oxidizing properties – <b>Not oxidizing</b>
Other information – <b>None</b>	

Date	SAFETY DATA SHEET	Revision
6 Dec 2010	Torch Coolant 30% PG Mixture	2.01CLP

## 10 – Stability and reactivity

<b>Reactivity</b>	None
<b>Chemical stability</b>	Stable under normal conditions
<b>Possibility of hazardous reactions</b>	None
<b>Conditions to avoid</b>	None anticipated
<b>Incompatible materials</b>	Keep away from oxidizing agents
<b>Hazardous Decomposition Product(s)</b>	Carbon monoxide, Carbon dioxide, Nitrogen oxides

## 11 – Toxicological information

### 11.1.1 – Substances

<b>Acute toxicity</b>	
Ingestion	Low oral toxicity, but ingestion may cause irritation of the gastrointestinal tract
Inhalation	Unlikely to be hazardous by inhalation
Skin Contact	Mild irritant to rabbit skin
Eye Contact	Mild irritant to the eye
<b>Hazard label(s)</b>	None
<b>Serious eye damage/irritation</b>	Mild irritant to the eye
<b>Respiratory or skin sensitization</b>	Mild irritant to rabbit skin
<b>Mutagenicity</b>	Not known
<b>Carcinogenicity</b>	IARC, NTP, OSHA, ACGIH do not list this product or any components thereof as known or suspected carcinogen
<b>Reproductive toxicity</b>	Not known
<b>STOT – single exposure</b>	Not known
<b>STOT – repeated exposure</b>	Not known
<b>Aspiration hazard</b>	Not known

## 12 – Ecological information

<b>Toxicity</b>	Do not let this chemical/product enter the environment.
<b>Persistence and degradability</b>	Biodegradable
<b>Bioaccumulative potential</b>	None anticipated
<b>Mobility in soil</b>	The product is predicted to have moderate mobility in soil.
<b>Results of PBT and vPvB assessment</b>	None assigned
<b>Other adverse effects</b>	None anticipated

## 13 – Disposal considerations

**Waste treatment methods** – Disposal should be in accordance with local, state or national legislation. No special measures are required. No specific waste water pretreatment required.

**Additional Information** – None

Date	SAFETY DATA SHEET	Revision
6 Dec 2010	Torch Coolant 30% PG Mixture	2.01CLP

#### 14 – Transport information

Not classified as dangerous for transport.

**Transport in bulk according to Annex II of MARPOL73/78 and the IBC Code.**

#### 15 – Regulatory information

##### USA

TSCA (Toxic Substance Control Act) – **Listed.**

SARA 302 – Extremely Hazardous Substances – **Not applicable.**

SARA 313 – Toxic Chemicals – **Not applicable.**

SARA 311/312 – Hazard Categories – **None.**

CERCLA (Comprehensive Environmental Response Compensation and Liability Act) – **Not applicable.**

CWA (Clean Water Act) – CWA 307 – Priority Pollutants – **None.**

CAA (Clean Air Act 1990) CAA 112 - Hazardous Air Pollutants (HAP) – **None.**

Proposition 65 (California) – **Not applicable.**

State Right to Know Lists – **CAS No. 95-14-7 Listed in MA, NJ, PA.**

##### Canada

WHMIS Classification (Canada) – **Not classified.**

CANADA INGREDIENT DISCLOSURE LIST – **Not applicable.**

Canada (DSL/NDSL) – **Listed.**

##### EU

EINECS (Europe) – **Listed.**

Wassergefährdungsklasse (Germany) – **None.**

<b>Date</b>	<b>SAFETY DATA SHEET</b>	<b>Revision</b>
6 Dec 2010	<b>Torch Coolant 30% PG Mixture</b>	2.01CLP

**16 – Other information**

The following sections contain revisions or new statements: 1 – 16.

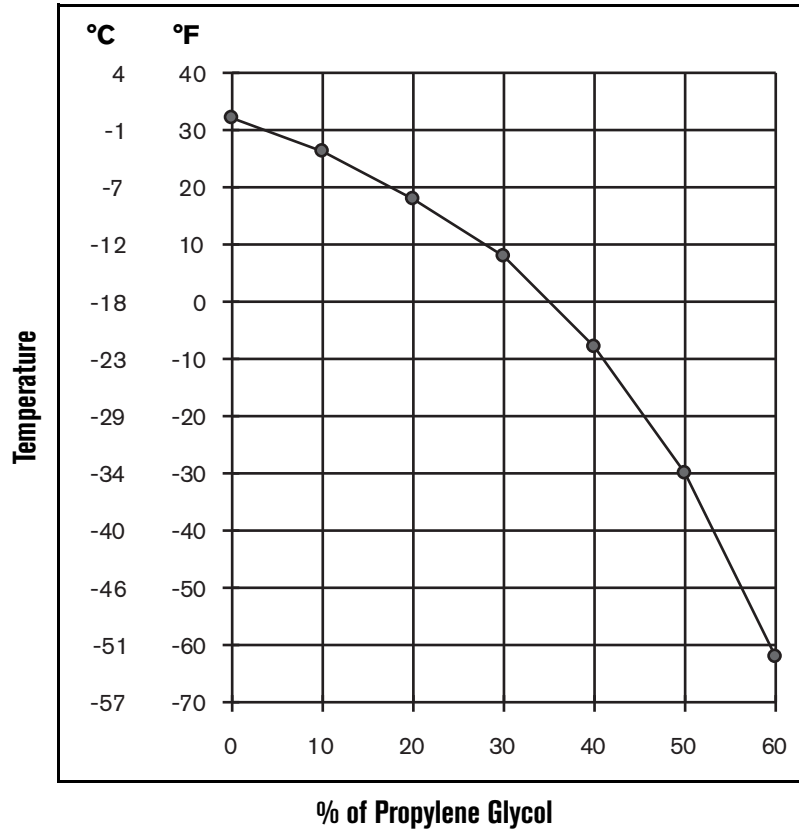
**Legend**

LTEL	Long Term Exposure Limit
STEL	Short Term Exposure Limit
STOT	Specific Target Organ Toxicity
DNEL	Derived No Effect Level
PNEL	Predicted No Effect Concentration

**References:**

<b>Risk Phrases and Safety Phrases</b>
None. Preparation is not classified as hazardous in the sense of directive 1999/45/EC and 2006/121/EC.
<b>Hazard statement(s) and Precautionary statement(s).</b>
None. Preparation is not classified as hazardous in the sense of directive 1999/45/EC and 2006/121/EC.
<b>Training advice</b> – None.
<b>Additional Information</b>
USA – NFPA (National Fire Protection Association) – NFPA Rating: <b>Flammability – 1, Health – 0, Instability/Reactivity – 0.</b>
Information contained in this publication or as otherwise supplied to Users is believed to be accurate and is given in good faith, but it is for the Users to satisfy themselves of the suitability of the product for their own particular purpose. Hypertherm gives no warranty as to the fitness of the product for any particular purpose and any implied warranty or condition (statutory or otherwise) is excluded except to the extent that exclusion is prevented by law. Hypertherm accepts no liability for loss or damage (other than that arising from death or personal injury caused by defective product, if proved), resulting from reliance on this information. Freedom under Patents, Copyright and Designs cannot be assumed.
<b>Note:</b> Original safety data sheet authored in English

<b>Date</b>	<b>SAFETY DATA SHEET</b>	<b>Revision</b>
6 Dec 2010	<b>Torch Coolant 30% PG Mixture</b>	2.01CLP



**Freezing Point of Propylene Glycol Solution**

<b>Date</b>	<b>SAFETY DATA SHEET</b>	<b>Revision</b>
6 Dec 2010	<b>Torch Coolant 30% PG Mixture</b>	2.01CLP